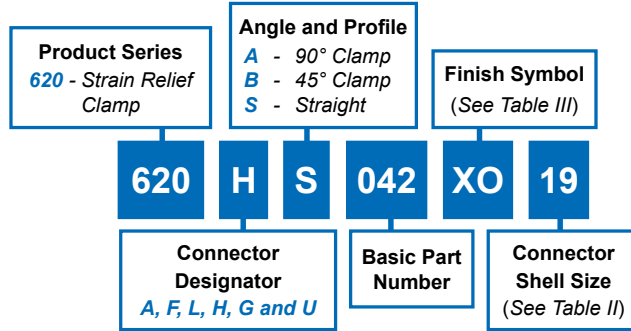


620-042 Composite Strain-Relief Clamp with Self-Locking Rotatable Coupling Straight, 45° & 90°



Composite Backshells

| CONNECTOR DESIGNATOR: | |
|---------------------------|---|
| A | MIL-DTL-5015, -26482 Series II, and -83723 Series I and III |
| F | MIL-DTL-38999 Series I, II |
| L | MIL-DTL-38999 Series 1.5 (JN1003) |
| H | MIL-DTL-38999 Series III and IV |
| G | MIL-DTL-28840 |
| U | DG123 and DG123A |
| SELF-LOCKING | |
| ROTATABLE COUPLING | |
| STANDARD PROFILE | |



A

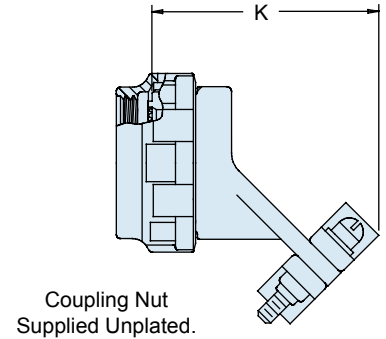
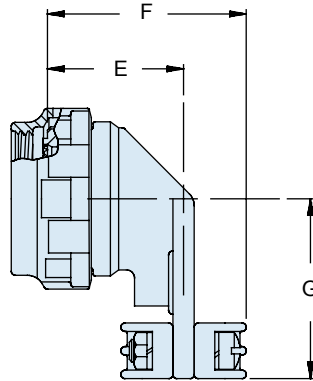
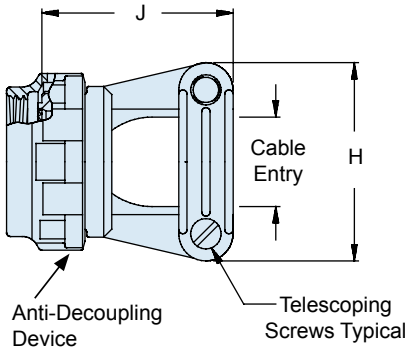


TABLE II: CONNECTOR SHELL SIZE ORDER NUMBER

| Shell Size For Connector Designator* | | E | F | G | H | J | K | Cable Entry** |
|--------------------------------------|-------------|-------------|-------------|-------------|-------------|-------------|-------------|---------------|
| A | F/L H G U | (Ref) | ±.06 (1.5) | ±.0 1.5 | ±.06 (1.5) | ±.06 (1.5) | Max | ±.03 0.8 |
| 08 | 08 09 - - | .63 (16.0) | .86 (21.8) | .88 (22.4) | .88 (22.4) | .80 (20.3) | 1.32 (33.5) | .22 (5.6) |
| 10 | 10 11 - 08 | .65 (16.5) | .91 (23.1) | .94 (23.9) | .94 (23.9) | .88 (22.4) | 1.35 (34.3) | .26 (6.6) |
| 12 | 12 13 11 10 | .71 (18.0) | 1.02 (25.9) | 1.03 (26.2) | 1.17 (29.7) | 1.00 (25.4) | 1.43 (36.3) | .34 (8.6) |
| 14 | 14 15 13 12 | .76 (19.3) | 1.13 (28.7) | 1.13 (28.7) | 1.28 (32.5) | 1.00 (25.4) | 1.48 (37.6) | .46 (11.7) |
| 16 | 16 17 15 14 | .80 (20.3) | 1.26 (32.0) | 1.31 (33.3) | 1.41 (35.8) | 1.13 (28.7) | 1.58 (40.1) | .55 (14.0) |
| 18 | 18 19 17 16 | .83 (21.1) | 1.31 (33.3) | 1.38 (35.1) | 1.50 (38.1) | 1.19 (30.2) | 1.70 (43.2) | .62 (15.7) |
| 20 | 20 21 19 18 | .90 (22.9) | 1.37 (34.8) | 1.50 (38.1) | 1.56 (39.6) | 1.25 (31.8) | 1.74 (44.2) | .70 (17.8) |
| 22 | 22 23 - 20 | .94 (23.9) | 1.45 (36.8) | 1.63 (41.4) | 1.69 (42.9) | 1.38 (35.1) | 1.79 (45.5) | .78 (19.8) |
| 24 | 24 25 23 22 | .97 (24.6) | 1.52 (38.6) | 1.75 (44.5) | 1.82 (46.2) | 1.50 (38.1) | 1.83 (46.5) | .85 (21.6) |
| 28 | - - 25 24 | 1.02 (25.9) | 1.68 (42.7) | 1.79 (45.5) | 1.94 (49.3) | 1.75 (44.5) | 2.13 (54.1) | .95 (24.1) |

TABLE III: FINISH

| Symbol | Finish Description |
|--------|---|
| XM | 2000 Hour Corrosion Resistant Electroless Nickel |
| XO | No Plating |
| XMT | 2000 Hour Corrosion Resistant Ni-PTFE, Nickel-Fluorocarbon Polymer. 1000 Hour Grey™ |
| XW | 2000 Hour Corrosion Resistant Cadmium/Olive Drab over Electroless Nickel |