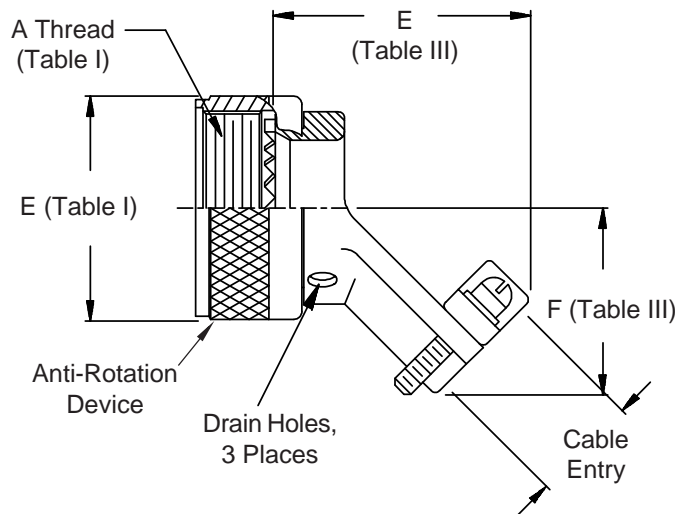
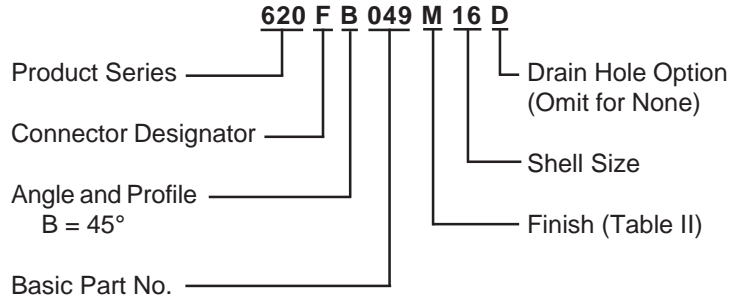


**CONNECTOR  
DESIGNATOR  
A-F-H-L-S  
SELF-LOCKING  
ROTATABLE  
COUPLING**



**TABLE III: CABLE ENTRY**

| Shell Size | E Max        | F Max        | Cable Entry |              |
|------------|--------------|--------------|-------------|--------------|
|            |              |              | Closed      | Open         |
| 08/09      | 1.536 (39.0) | .730 (18.5)  | .125 (3.2)  | .204 (5.2)   |
| 10/11      | 1.566 (39.8) | .810 (20.6)  | .187 (4.7)  | .286 (7.3)   |
| 12/13      | 1.646 (41.8) | .870 (22.1)  | .291 (7.4)  | .416 (10.6)  |
| 14/15      | 1.686 (42.8) | .930 (23.6)  | .351 (8.9)  | .476 (12.1)  |
| 16/17      | 1.796 (45.6) | .990 (25.1)  | .501 (12.7) | .626 (15.9)  |
| 18/19      | 1.906 (48.4) | 1.110 (28.2) | .518 (13.2) | .706 (17.9)  |
| 20/21      | 1.956 (49.7) | 1.170 (29.7) | .581 (14.8) | .831 (21.1)  |
| 22/23      | 1.996 (50.7) | 1.240 (31.5) | .644 (16.4) | .956 (24.3)  |
| 24/25      | 2.046 (52.0) | 1.300 (33.0) | .706 (17.9) | 1.081 (27.5) |

**See inside back cover  
fold-out or pages 13 and  
14 for Tables I and II.**

1. Cable Entry is defined as the accommodation entry for the wire bundle or cable. Dimensions are not intended for inspection criteria.
2. Metric dimensions (mm) are indicated in parentheses.