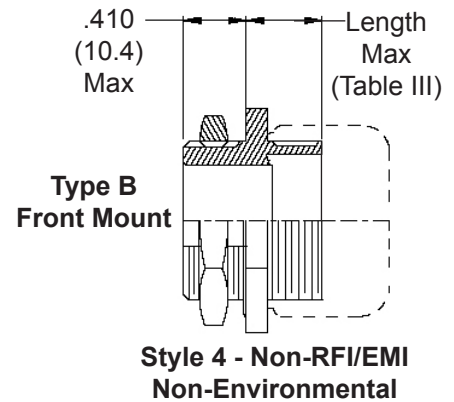
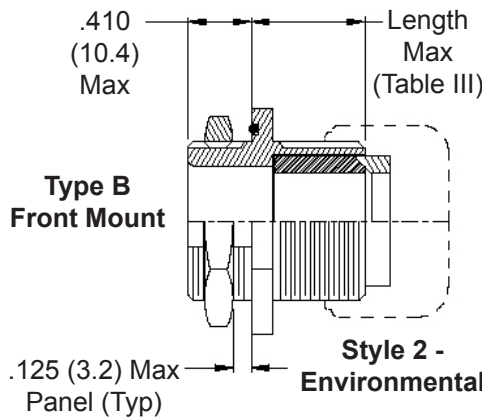
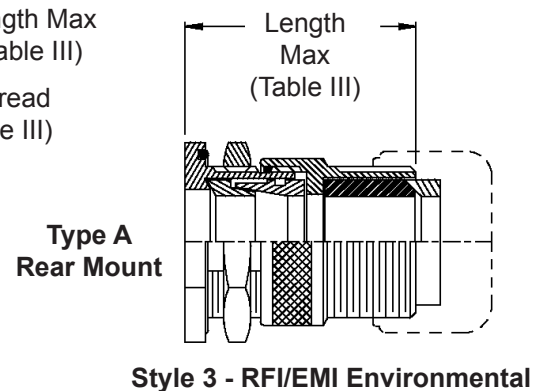
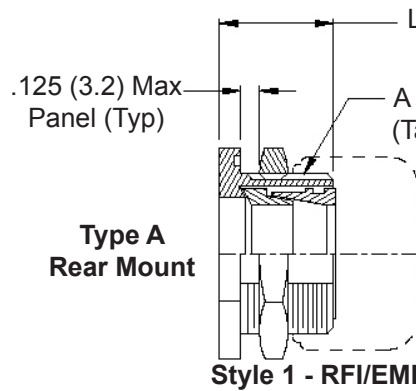
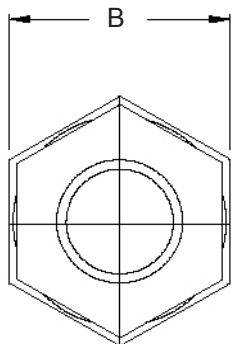


**Single Overall
EMI/RFI
Shield Termination**

1. Metric dimensions (mm) are indicated in parentheses.
2. Cable range is defined as the accommodations range for the wire bundle or cable. Dimensions shown are not intended for inspection criteria.



STYLE H
Heavy Duty

STYLE A
Medium Duty

STYLE M
Medium Duty

STYLE D
Medium Duty



EMI/RFI Environmental Bulkhead Feed-Through
with Strain Relief
Front and Rear Jam Nut Mount - Straight



See inside back cover fold-out or page 14 for Table II.

TABLE III: CABLE ENTRY

| Dash No. | Clamp Style | Clamp Size | Cable Range | | A Thread Unified | B Dim | C Flat | | D Dia | | | | |
|----------|-------------|------------|-------------|--------|------------------|--------|------------|--------|--------|--------|--------|-------|--------|
| | | | Min | Max | | | ± .010 | (± .3) | ± .010 | (± .3) | | | |
| 01 | 1, 2, 4 | 03* | .157 | (4.0) | .250 | (6.4) | 1/2 -28 | .688 | (17.5) | .479 | (12.2) | .515 | (13.1) |
| 02 | 3 | 03* | .157 | (4.0) | .250 | (6.4) | 1/2 -28 | .688 | (17.5) | .479 | (12.2) | .515 | (13.1) |
| 03 | 1, 2, 4 | 04* | .187 | (4.7) | .312 | (7.9) | 5/8 -24 | .813 | (20.7) | .595 | (15.1) | .640 | (16.3) |
| 04 | 3 | 04* | .187 | (4.7) | .312 | (7.9) | 5/8 -24 | .813 | (20.7) | .595 | (15.1) | .640 | (16.3) |
| 05 | 1, 2, 4 | 06* | .281 | (7.1) | .437 | (11.1) | 3/4 -20 | .938 | (23.8) | .720 | (18.3) | .765 | (19.4) |
| 06 | 3 | 06* | .281 | (7.1) | .437 | (11.1) | 3/4 -20 | .938 | (23.8) | .720 | (18.3) | .765 | (19.4) |
| 07 | 1, 2, 4 | 08 | .344 | (8.7) | .562 | (14.3) | 7/8 -20 | 1.063 | (27.0) | .845 | (21.5) | .890 | (22.6) |
| 08 | 3 | 08 | .344 | (8.7) | .562 | (14.3) | 7/8 -20 | 1.063 | (27.0) | .845 | (21.5) | .890 | (22.6) |
| 09 | 1, 2, 4 | 10 | .375 | (9.5) | .625 | (15.9) | 1 -20 | 1.250 | (31.8) | .970 | (24.6) | 1.015 | (25.8) |
| 10 | 3 | 10 | .375 | (9.5) | .625 | (15.9) | 1 -20 | 1.250 | (31.8) | .970 | (24.6) | 1.015 | (25.8) |
| 11 | 1, 2, 4 | 12 | .438 | (11.1) | .750 | (19.1) | 1 3/16 -18 | 1.375 | (34.9) | 1.158 | (29.4) | 1.202 | (30.5) |
| 12 | 3 | 12 | .438 | (11.1) | .750 | (19.1) | 1 3/16 -18 | 1.375 | (34.9) | 1.158 | (29.4) | 1.202 | (30.5) |
| 13 | 1, 2, 4 | 16 | .625 | (15.9) | .937 | (23.8) | 1 7/16 -18 | 1.625 | (41.3) | 1.408 | (35.8) | 1.452 | (36.9) |
| 14 | 3 | 16 | .625 | (15.9) | .937 | (23.8) | 1 7/16 -18 | 1.625 | (41.3) | 1.408 | (35.8) | 1.452 | (36.9) |
| 15 | 1, 2, 4 | 20 | .875 | (22.2) | 1.250 | (31.8) | 1 3/4 -18 | 2.000 | (50.8) | 1.720 | (43.7) | 1.765 | (44.8) |
| 16 | 3 | 20 | .875 | (22.2) | 1.250 | (31.8) | 1 3/4 -18 | 2.000 | (50.8) | 1.720 | (43.7) | 1.765 | (44.8) |
| 17 | 1, 2, 4 | 24 | 1.000 | (25.4) | 1.375 | (34.9) | 2 -18 | 2.188 | (55.6) | 1.970 | (50.0) | 2.015 | (51.2) |
| 18 | 3 | 24 | 1.000 | (25.4) | 1.375 | (34.9) | 2 -18 | 2.188 | (55.6) | 1.970 | (50.0) | 2.015 | (51.2) |
| 19 | 1, 2, 4 | 28 | 1.250 | (31.8) | 1.625 | (41.3) | 2 1/4 -16 | 2.438 | (61.9) | 2.220 | (56.4) | 2.265 | (57.5) |
| 20 | 3 | 28 | 1.250 | (31.8) | 1.625 | (41.3) | 2 1/4 -16 | 2.438 | (61.9) | 2.220 | (56.4) | 2.265 | (57.5) |
| 21 | 1, 2, 4 | 32* | 1.437 | (36.5) | 1.875 | (47.6) | 2 1/2 -16 | 2.813 | (71.5) | 2.470 | (62.7) | 2.515 | (63.9) |
| 22 | 3 | 32* | 1.437 | (36.5) | 1.875 | (47.6) | 2 1/2 -16 | 2.813 | (71.5) | 2.470 | (62.7) | 2.515 | (63.9) |
| 23 | 1, 2, 4 | 40* | 1.875 | (47.6) | 2.375 | (60.3) | 3 -16 | 3.375 | (85.7) | 2.970 | (75.4) | 3.015 | (76.6) |
| 24 | 3 | 40* | 1.875 | (47.6) | 2.375 | (60.3) | 3 -16 | 3.375 | (85.7) | 2.970 | (75.4) | 3.015 | (76.6) |

* Not Available in Style M Clamp

TABLE III (Continued)

| Dash No. | Clamp Style | E | | F | | G | | H | | J | | Length | |
|----------|-------------|-------|--------|-------|--------|-------|--------|-------|--------|-------|--------|--------|--------|
| | | Max | | Max | | Max | | Max | | Max | | Max | |
| 01 | 1, 2, 4 | --- | --- | --- | --- | .760 | (19.3) | .843 | (21.4) | .630 | (16.0) | 1.281 | (32.5) |
| 02 | 3 | --- | --- | --- | --- | .760 | (19.3) | .843 | (21.4) | .630 | (16.0) | 1.969 | (50.0) |
| 03 | 1, 2, 4 | .780 | (19.8) | .957 | (24.3) | .760 | (19.3) | .906 | (23.0) | .755 | (19.2) | 1.281 | (32.5) |
| 04 | 3 | .780 | (19.8) | .957 | (24.3) | .760 | (19.3) | .906 | (23.0) | .755 | (19.2) | 1.969 | (50.0) |
| 05 | 1, 2, 4 | .780 | (19.8) | 1.145 | (29.1) | .760 | (19.3) | 1.093 | (27.8) | .942 | (23.9) | 1.281 | (32.5) |
| 06 | 3 | .780 | (19.8) | 1.145 | (29.1) | .760 | (19.3) | 1.093 | (27.8) | .942 | (23.9) | 1.969 | (50.0) |
| 07 | 1, 2, 4 | .780 | (19.8) | 1.332 | (33.8) | .760 | (19.3) | 1.187 | (30.1) | 1.067 | (27.1) | 1.281 | (32.5) |
| 08 | 3 | .780 | (19.8) | 1.332 | (33.8) | .760 | (19.3) | 1.187 | (30.1) | 1.067 | (27.1) | 1.969 | (50.0) |
| 09 | 1, 2, 4 | .780 | (19.8) | 1.332 | (33.8) | .760 | (19.3) | 1.281 | (32.5) | 1.192 | (30.3) | 1.281 | (32.5) |
| 10 | 3 | .780 | (19.8) | 1.332 | (33.8) | .760 | (19.3) | 1.281 | (32.5) | 1.192 | (30.3) | 1.969 | (50.0) |
| 11 | 1, 2, 4 | .811 | (20.6) | 1.551 | (39.4) | .760 | (19.3) | 1.500 | (38.1) | 1.380 | (35.1) | 1.344 | (34.1) |
| 12 | 3 | .811 | (20.6) | 1.551 | (39.4) | .760 | (19.3) | 1.500 | (38.1) | 1.380 | (35.1) | 1.969 | (50.0) |
| 13 | 1, 2, 4 | .905 | (23.0) | 1.770 | (45.0) | 1.073 | (27.3) | 1.719 | (43.7) | 1.535 | (39.0) | 1.344 | (34.1) |
| 14 | 3 | .905 | (23.0) | 1.770 | (45.0) | 1.073 | (27.3) | 1.719 | (43.7) | 1.535 | (39.0) | 1.969 | (50.0) |
| 15 | 1, 2, 4 | 1.092 | (27.7) | 2.113 | (53.7) | 1.323 | (33.6) | 2.062 | (52.4) | 1.848 | (46.9) | 1.344 | (34.1) |
| 16 | 3 | 1.092 | (27.7) | 2.113 | (53.7) | 1.323 | (33.6) | 2.062 | (52.4) | 1.848 | (46.9) | 2.062 | (52.4) |
| 17 | 1, 2, 4 | 1.124 | (28.5) | 2.363 | (60.0) | 1.323 | (33.6) | 2.312 | (58.7) | 2.255 | (57.3) | 1.406 | (35.7) |
| 18 | 3 | 1.124 | (28.5) | 2.363 | (60.0) | 1.323 | (33.6) | 2.312 | (58.7) | 2.255 | (57.3) | 2.062 | (52.4) |
| 19 | 1, 2, 4 | 1.399 | (35.5) | 2.770 | (70.4) | 1.572 | (39.9) | 2.719 | (69.1) | 2.505 | (63.6) | 1.406 | (35.7) |
| 20 | 3 | 1.399 | (35.5) | 2.770 | (70.4) | 1.572 | (39.9) | 2.719 | (69.1) | 2.505 | (63.6) | 2.062 | (52.4) |
| 21 | 1, 2, 4 | 1.399 | (35.5) | 3.020 | (76.7) | 1.572 | (39.9) | 2.969 | (75.4) | 2.755 | (70.0) | 1.406 | (35.7) |
| 22 | 3 | 1.399 | (35.5) | 3.020 | (76.7) | 1.572 | (39.9) | 2.969 | (75.4) | 2.755 | (70.0) | 2.375 | (60.3) |
| 23 | 1, 2, 4 | --- | --- | --- | --- | 1.572 | (39.9) | 3.531 | (89.7) | 3.255 | (82.7) | 1.531 | (38.9) |
| 24 | 3 | --- | --- | --- | --- | 1.572 | (39.9) | 3.531 | (89.7) | 3.255 | (82.7) | 2.375 | (60.3) |