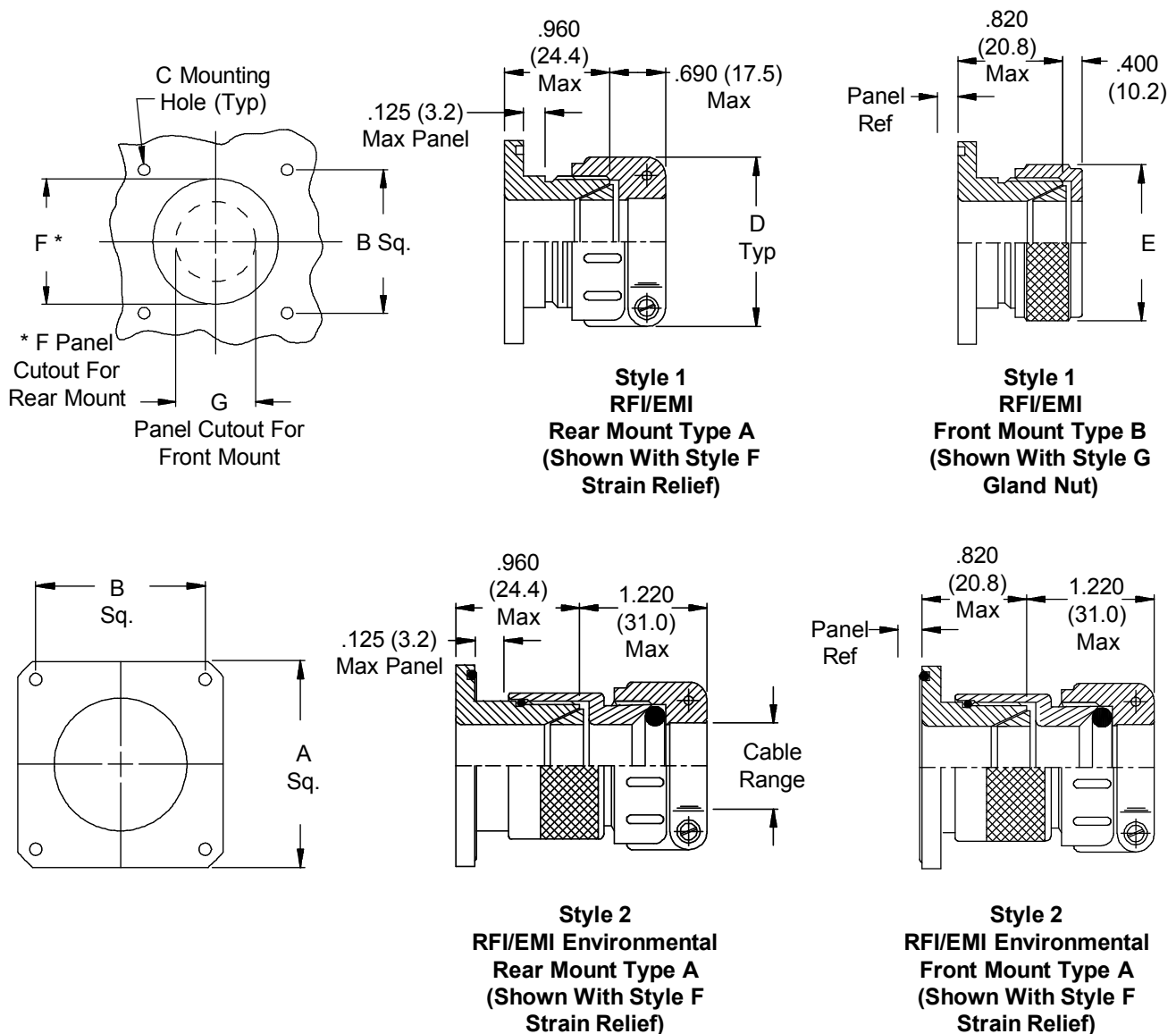
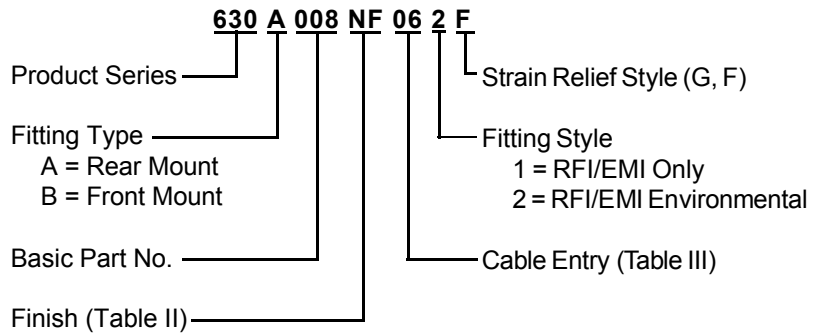


**Single Overall**  
**EMI/RFI**  
**Shield Termination**



See inside back cover fold-out or page 14 for Table II.

<b>TABLE III: CABLE ENTRY</b>										
Dash No.	Cable Range				A		B		C	
	Min		Max		Max		Dim		+.015 - 0	(+0.4) (-0.0)
01	.125	(3.2)	.250	(6.4)	.885	(22.5)	.593	(15.1)	.120	(3.0)
02	.156	(4.0)	.375	(9.5)	1.104	(28.0)	.812	(20.6)	.120	(3.0)
03	.250	(6.4)	.438	(11.1)	1.197	(30.4)	.906	(23.0)	.120	(3.0)
04	.280	(7.1)	.500	(12.7)	1.291	(32.8)	.968	(24.6)	.120	(3.0)
05	.375	(9.5)	.625	(15.9)	1.385	(35.2)	1.062	(27.0)	.120	(3.0)
06	.500	(12.7)	.750	(19.1)	1.635	(41.5)	1.250	(31.8)	.120	(3.0)
07	.625	(15.9)	.875	(22.2)	1.760	(44.7)	1.375	(34.9)	.147	(3.7)
08	.750	(19.1)	1.000	(25.4)	2.010	(51.1)	1.562	(39.7)	.147	(3.7)
09	.875	(22.2)	1.125	(28.6)	2.260	(57.4)	1.750	(44.5)	.173	(4.4)
10	1.000	(25.4)	1.250	(31.8)	2.510	(63.8)	1.938	(49.2)	.173	(4.4)

<b>TABLE III (Continued)</b>								
Dash No.	D		E		F		G	
	Max		Max		+.015 - 0	(+0.4) (-0.0)	+.031 - 0	(+0.8) (-0.0)
01	.843	(21.4)	.625	(15.9)	.515	(13.1)	.250	(6.4)
02	.968	(24.6)	.750	(19.1)	.640	(16.3)	.375	(9.5)
03	1.046	(26.6)	.875	(22.2)	.765	(19.4)	.438	(11.1)
04	1.156	(29.4)	1.000	(25.4)	.890	(22.6)	.500	(12.7)
05	1.218	(30.9)	1.125	(28.6)	1.015	(25.8)	.625	(15.9)
06	1.343	(34.1)	1.250	(31.8)	1.140	(29.0)	.750	(19.1)
07	1.468	(37.3)	1.375	(34.9)	1.265	(32.1)	.875	(22.2)
08	1.593	(40.5)	1.500	(38.1)	1.390	(35.3)	1.000	(25.4)
09	1.718	(43.6)	1.625	(41.3)	1.515	(38.5)	1.125	(28.6)
10	1.843	(46.8)	1.750	(44.5)	1.640	(41.7)	1.250	(31.8)

1. Metric dimensions (mm) are indicated in parentheses.
2. Cable range is defined as the accommodations range for the wire bundle or cable. Dimensions shown are not intended for inspection criteria.