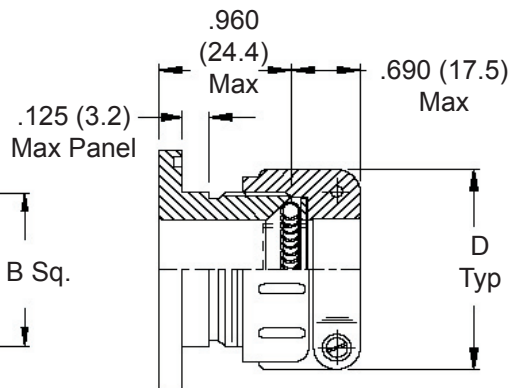
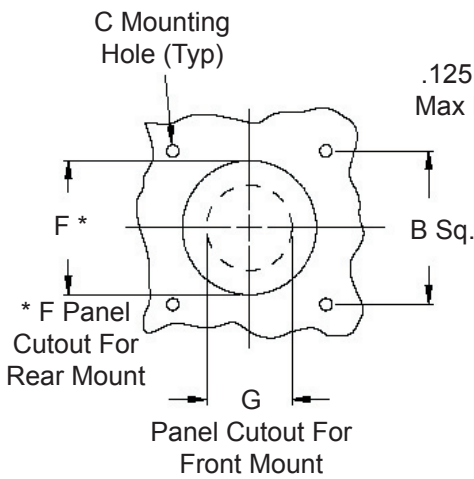
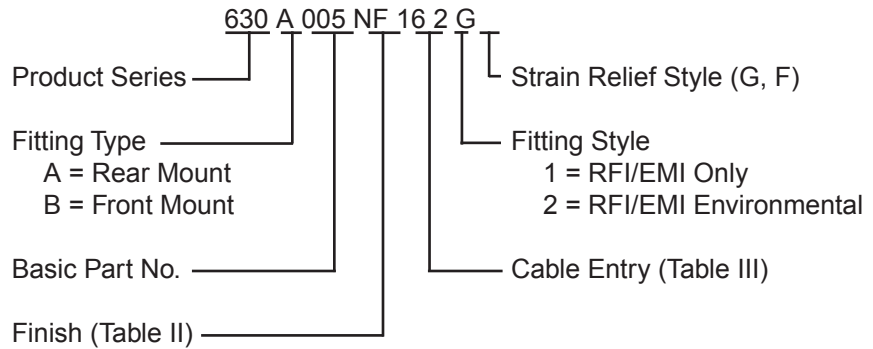
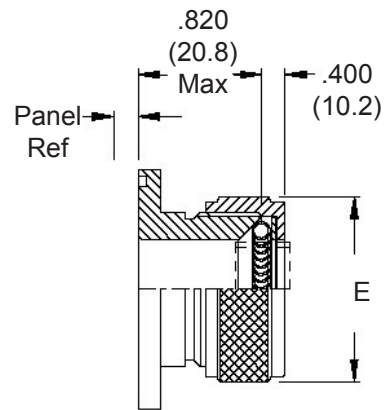


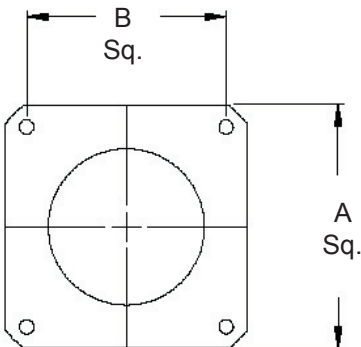
"G"-Spring
EMI/RFI
Shield
Termination



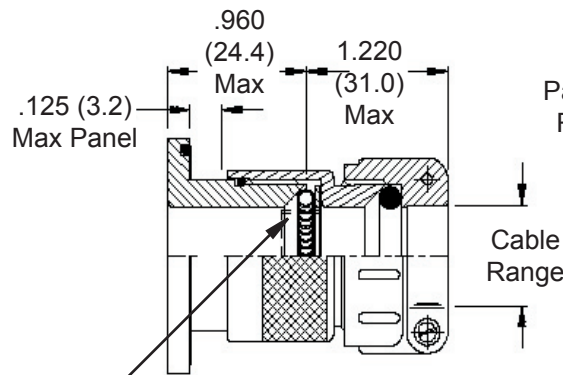
Style 1
 RFI/EMI
 Rear Mount Type A
 (Shown With Style F
 Strain Relief)



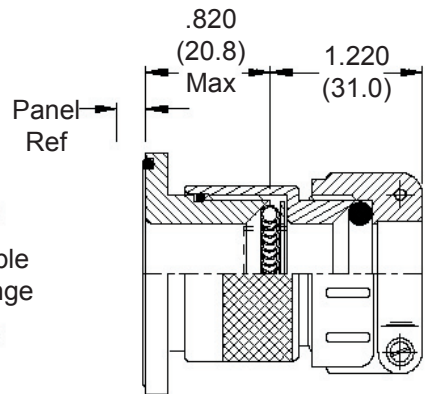
Style 1
 RFI/EMI
 Front Mount Type B
 (Shown With Style G
 Gland Nut)



469-001-XX Shield Support Ring (order separately) is recommended for use in all G-Spring Bulkhead Fittings (see page 460-3)



Style 2
 RFI/EMI Environmental
 Rear Mount Type A
 (Shown With Style F
 Strain Relief)



Style 2
 RFI/EMI Environmental
 Front Mount Type B
 (Shown With Style F
 Strain Relief)

See inside back cover fold-out or page 14 for Table II.

Dash No.	Cable Range		A Max	B Dim	C	
	Min	Max			+0.015 (+0.4)	-0 (-0.0)
01	.156 (4.0)	.250 (6.4)	.885 (22.5)	.593 (15.1)	.120 (3.0)	
02	.188 (4.8)	.375 (9.5)	1.104 (28.0)	.812 (20.6)	.120 (3.0)	
03	.250 (6.4)	.438 (11.1)	1.197 (30.4)	.906 (23.0)	.120 (3.0)	
04	.280 (7.1)	.500 (12.7)	1.291 (32.8)	.968 (24.6)	.120 (3.0)	
05	.375 (9.5)	.625 (15.9)	1.385 (35.2)	1.062 (27.0)	.120 (3.0)	
06	.500 (12.7)	.750 (19.1)	1.635 (41.5)	1.250 (31.8)	.120 (3.0)	
07	.625 (15.9)	.875 (22.2)	1.760 (44.7)	1.375 (34.9)	.147 (3.7)	
08	.750 (19.1)	1.000 (25.4)	2.010 (51.1)	1.562 (39.7)	.147 (3.7)	
09	.875 (22.2)	1.125 (28.6)	2.260 (57.4)	1.750 (44.5)	.173 (4.4)	
10	1.000 (25.4)	1.250 (31.8)	2.510 (63.8)	1.938 (49.2)	.173 (4.4)	
11	1.125 (28.6)	1.375 (34.9)	2.760 (70.1)	2.125 (54.0)	.173 (4.4)	

Dash No.	D		E		F		G	
	Max		Max		+0.015 (+0.4)	-0 (-0.0)	+0.031 (+0.8)	-0 (-0.0)
01	.843 (21.4)		.625 (15.9)		.515 (13.1)		.250 (6.4)	
02	.968 (24.6)		.750 (19.1)		.640 (16.3)		.375 (9.5)	
03	1.046 (26.6)		.875 (22.2)		.765 (19.4)		.438 (11.1)	
04	1.156 (29.4)		1.000 (25.4)		.890 (22.6)		.500 (12.7)	
05	1.218 (30.9)		1.125 (28.6)		1.015 (25.8)		.625 (15.9)	
06	1.343 (34.1)		1.250 (31.8)		1.140 (29.0)		.750 (19.1)	
07	1.468 (37.3)		1.375 (34.9)		1.265 (32.1)		.875 (22.2)	
08	1.593 (40.5)		1.500 (38.1)		1.390 (35.3)		1.000 (25.4)	
09	1.718 (43.6)		1.625 (41.3)		1.515 (38.5)		1.125 (28.6)	
10	1.843 (46.8)		1.750 (44.5)		1.640 (41.7)		1.250 (31.8)	
11	2.187 (55.5)		1.875 (47.6)		1.765 (44.8)		1.375 (34.9)	

1. Metric dimensions (mm) are indicated in parentheses.
2. Cable range is defined as the accommodations range for the wire bundle or cable. Dimensions shown are not intended for inspection criteria.
3. For proper termination, it is recommended that Glenair 469-001 Shield Support Ring (page 460-3) must be used on all assemblies. Place ring over wire and under shield; position under G-Spring.