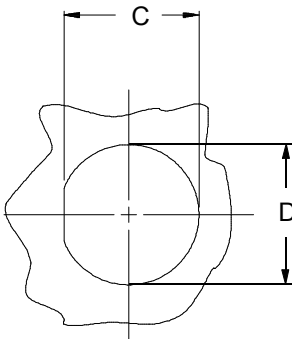
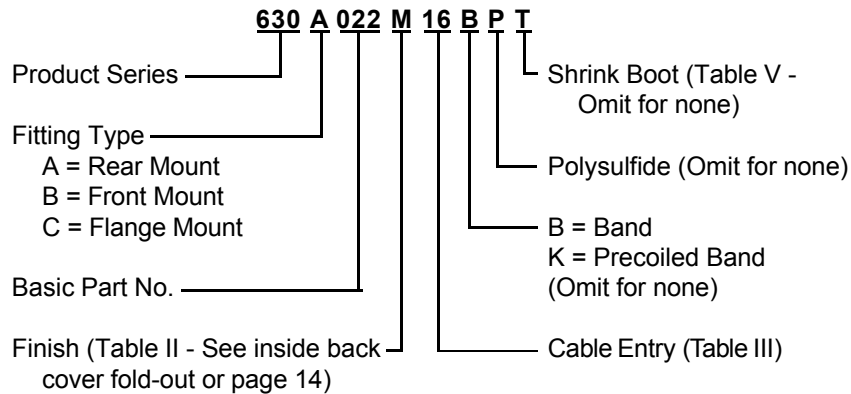
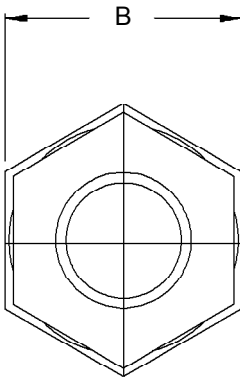
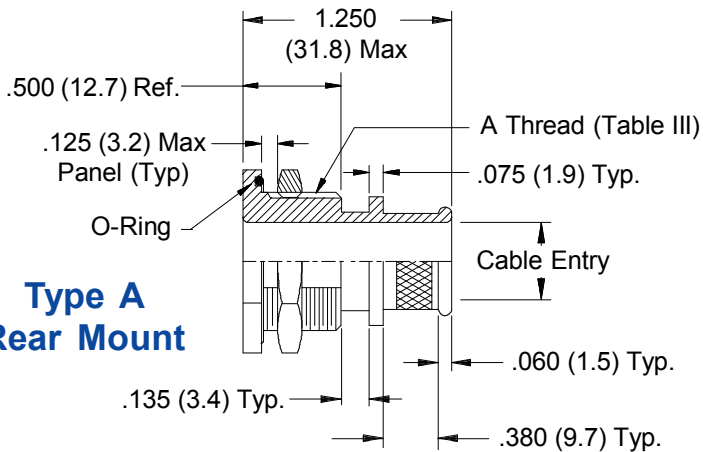
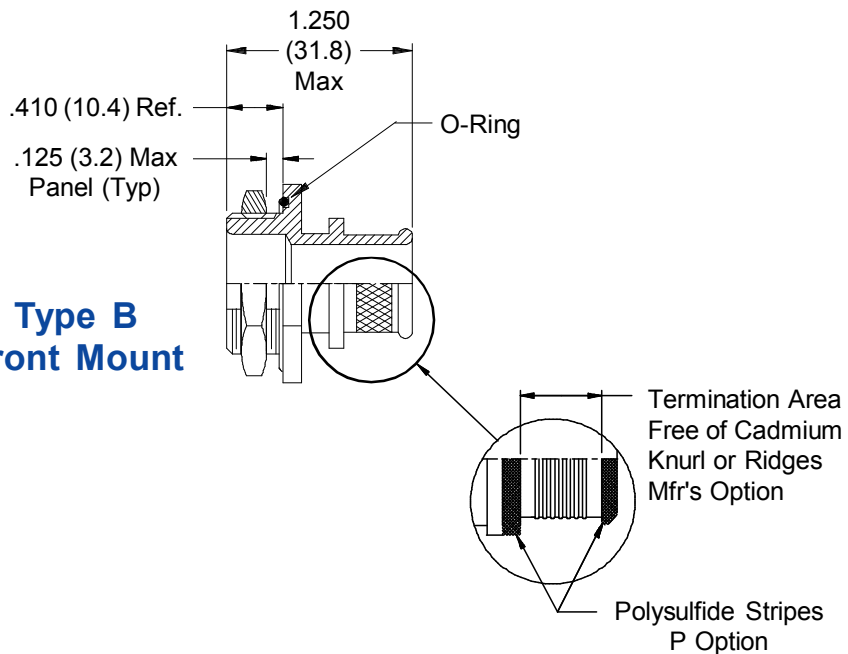
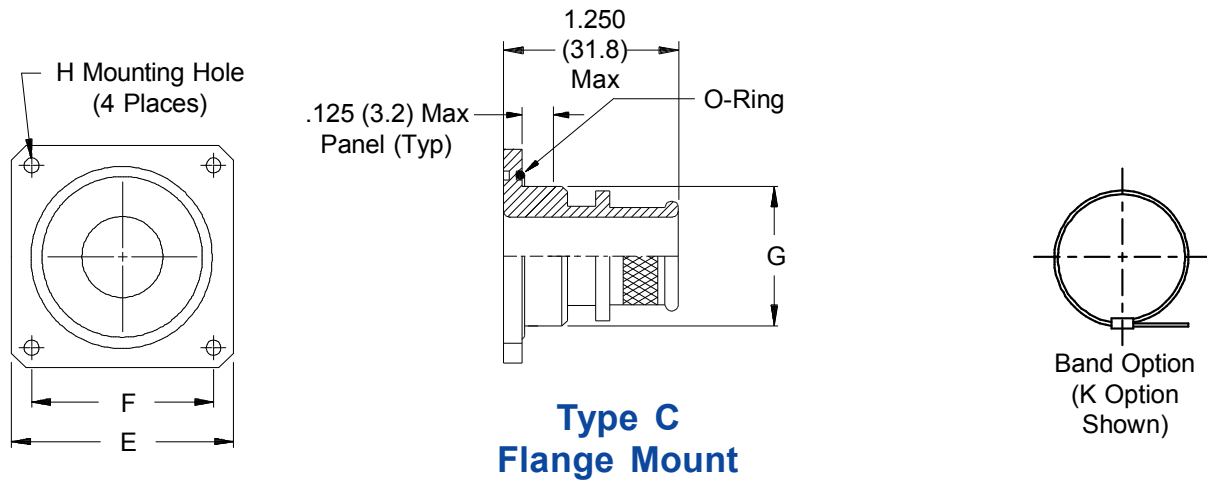


**Banding Porch  
Shield  
Termination**

**Type A  
Rear Mount**

**Type B  
Front Mount**


**630-022**  
**EMI/RFI Environmental Bulkhead Banding Adapter**  
 with Optional Shrink Boot  
 Jam Nut and Panel Mount - Straight



**Type C  
Flange Mount**

**TABLE III: CABLE ENTRY**

| Dash No. | Cable Entry Dia | A Thread Unified | B Dim        | C Flat ± .010 (± .3) | D Dia ± .010 (± .3) | E Sq ± .031 (± .8) | F Dim.       | G Dia + .005 (+ .1) - .015 (- .4) |
|----------|-----------------|------------------|--------------|----------------------|---------------------|--------------------|--------------|-----------------------------------|
| 03       | .188 (4.8)      | 1/2 -28          | .688 (17.5)  | .480 (12.2)          | .515 (13.1)         | .875 (22.2)        | .594 (15.1)  | .500 (12.7)                       |
| 04       | .250 (6.4)      | 1/2 -28          | .688 (17.5)  | .480 (12.2)          | .515 (13.1)         | .875 (22.2)        | .594 (15.1)  | .500 (12.7)                       |
| 05       | .313 (8.0)      | 5/8 -24          | .813 (20.7)  | .605 (15.4)          | .640 (16.3)         | 1.000 (25.4)       | .719 (18.3)  | .625 (15.9)                       |
| 06       | .375 (9.5)      | 5/8 -24          | .813 (20.7)  | .605 (15.4)          | .640 (16.3)         | 1.000 (25.4)       | .719 (18.3)  | .625 (15.9)                       |
| 07       | .438 (11.1)     | 3/4 -20          | .938 (23.8)  | .730 (18.5)          | .765 (19.4)         | 1.094 (27.8)       | .812 (20.6)  | .750 (19.1)                       |
| 08       | .500 (12.7)     | 3/4 -20          | .938 (23.8)  | .730 (18.5)          | .765 (19.4)         | 1.094 (27.8)       | .812 (20.6)  | .750 (19.1)                       |
| 09       | .563 (14.3)     | 7/8 -20          | 1.063 (27.0) | .855 (21.7)          | .890 (22.6)         | 1.188 (30.2)       | .906 (23.0)  | .875 (22.2)                       |
| 10       | .625 (15.9)     | 7/8 -20          | 1.063 (27.0) | .855 (21.7)          | .890 (22.6)         | 1.188 (30.2)       | .906 (23.0)  | .875 (22.2)                       |
| 11       | .688 (17.5)     | 1 -20            | 1.188 (30.2) | .980 (24.9)          | 1.015 (25.8)        | 1.281 (32.5)       | .969 (24.6)  | 1.000 (25.4)                      |
| 12       | .750 (19.1)     | 1 -20            | 1.188 (30.2) | .980 (24.9)          | 1.015 (25.8)        | 1.281 (32.5)       | .969 (24.6)  | 1.000 (25.4)                      |
| 13       | .813 (20.7)     | 1 1/8 -18        | 1.313 (33.4) | 1.105 (28.1)         | 1.140 (29.0)        | 1.375 (34.9)       | 1.062 (27.0) | 1.125 (28.6)                      |
| 14       | .875 (22.2)     | 1 1/4 -18        | 1.438 (36.5) | 1.230 (31.2)         | 1.265 (32.1)        | 1.500 (38.1)       | 1.156 (29.4) | 1.250 (31.8)                      |
| 15       | .938 (23.8)     | 1 1/4 -18        | 1.438 (36.5) | 1.230 (31.2)         | 1.265 (32.1)        | 1.500 (38.1)       | 1.156 (29.4) | 1.250 (31.8)                      |
| 16       | 1.000 (25.4)    | 1 3/8 -18        | 1.563 (39.7) | 1.355 (34.4)         | 1.390 (35.3)        | 1.625 (41.3)       | 1.250 (31.8) | 1.375 (34.9)                      |
| 17       | 1.063 (27.0)    | 1 3/8 -18        | 1.563 (39.7) | 1.355 (34.4)         | 1.390 (35.3)        | 1.625 (41.3)       | 1.250 (31.8) | 1.375 (34.9)                      |
| 18       | 1.125 (28.6)    | 1 1/2 -18        | 1.688 (42.9) | 1.480 (37.6)         | 1.515 (38.5)        | 1.750 (44.5)       | 1.375 (34.9) | 1.500 (38.1)                      |
| 19       | 1.188 (30.2)    | 1 1/2 -18        | 1.688 (42.9) | 1.480 (37.6)         | 1.515 (38.5)        | 1.750 (44.5)       | 1.375 (34.9) | 1.500 (38.1)                      |
| 20       | 1.250 (31.8)    | 1 5/8 -18        | 1.813 (46.1) | 1.605 (40.8)         | 1.640 (41.7)        | 1.812 (46.0)       | 1.500 (38.1) | 1.625 (41.3)                      |
| 22       | 1.375 (34.9)    | 1 3/4 -18        | 1.938 (49.2) | 1.730 (43.9)         | 1.765 (44.8)        | 2.000 (50.8)       | 1.562 (39.7) | 1.750 (44.5)                      |
| 24       | 1.500 (38.1)    | 2 -18            | 2.188 (55.6) | 1.980 (50.3)         | 2.015 (51.2)        | 2.250 (57.2)       | 1.750 (44.5) | 2.000 (50.8)                      |
| 26       | 1.625 (41.3)    | 2 -18            | 2.188 (55.6) | 1.980 (50.3)         | 2.015 (51.2)        | 2.250 (57.2)       | 1.750 (44.5) | 2.000 (50.8)                      |
| 28       | 1.750 (44.5)    | 2 1/4 -16        | 2.438 (61.9) | 2.230 (56.6)         | 2.265 (57.5)        | 2.500 (63.5)       | 1.938 (49.2) | 2.250 (57.2)                      |

**TABLE IV**

| Dash Nos. | H Dia + .015 (+ .4) - .000 (- .0) |
|-----------|-----------------------------------|
| 03-17     | .125 (3.2)                        |
| 18-20     | .156 (4.0)                        |
| 22-28     | .188 (4.8)                        |

**TABLE V: SHRINK BOOT**

| Dash Nos. | Shrink Boot (Note 2) |
|-----------|----------------------|
| 03-06     | 770-001S103          |
| 07-10     | 770-001S104          |
| 11-12     | 770-001S105          |
| 13-16     | 770-001S106          |
| 17-20     | 770-001S107          |
| 22-26     | 770-001S108          |
| 28        | 770-001S109*         |

1. Metric dimensions (mm) are indicated in parentheses.

\*Equivalent boot may be supplied in lieu of stated part number.