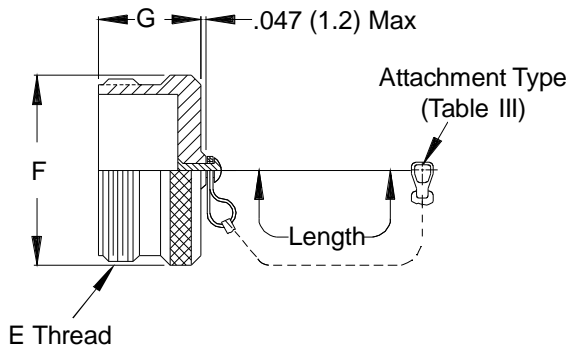


MIL-C-5015



660-004 Plug Cover



660-005 Receptacle Cover

TABLE X: SHELL SIZE DIMENSIONS

| Shell Size | E Thread | F Max | G Max | H Max | J Max |
|------------|-----------------|--------------|-------------|--------------|-------------|
| 08 | 1/2 - 28 UNEF | .562 (14.3) | .656 (16.7) | .688 (17.5) | .465 (11.8) |
| 10 | 5/8 - 24 UNEF | .687 (17.4) | .656 (16.7) | .815 (20.7) | .465 (11.8) |
| 12 | 3/4 - 20 UNEF | .812 (20.6) | .844 (21.4) | 1.000 (25.4) | .465 (11.8) |
| 14 | 7/8 - 20 UNEF | .937 (23.8) | .844 (21.4) | 1.125 (28.6) | .465 (11.8) |
| 16 | 1 - 20 UNEF | 1.062 (27.0) | .844 (21.4) | 1.188 (30.2) | .465 (11.8) |
| 18 | 1 1/8 - 18 UNEF | 1.187 (30.1) | .844 (21.4) | 1.344 (34.1) | .465 (11.8) |
| 20 | 1 1/4 - 18 UNEF | 1.312 (33.3) | .844 (21.4) | 1.469 (37.3) | .465 (11.8) |
| 22 | 1 3/8 - 18 UNEF | 1.437 (36.5) | .844 (21.4) | 1.594 (40.5) | .465 (11.8) |
| 24 | 1 1/2 - 18 UNEF | 1.562 (39.7) | .844 (21.4) | 1.719 (43.7) | .465 (11.8) |
| 28 | 1 3/4 - 18 UNS | 1.812 (46.0) | .844 (21.4) | 1.969 (50.0) | .531 (13.5) |
| 32 | 2 - 18 UNS | 2.062 (52.4) | .844 (21.4) | 2.219 (56.4) | .531 (13.5) |
| 36 | 2 1/4 - 16 UN | 2.312 (58.7) | .844 (21.4) | 2.469 (62.7) | .531 (13.5) |
| 40 | 2 1/2 - 16 UN | 2.562 (65.1) | .844 (21.4) | 2.719 (69.1) | .531 (13.5) |
| 44 | 2 3/4 - 16 UN | 2.812 (71.4) | .844 (21.4) | 2.969 (75.4) | .531 (13.5) |
| 48 | 3 - 16 UN | 3.062 (77.8) | .844 (21.4) | 3.188 (81.0) | .531 (13.5) |

See inside back cover fold-out or page 14 for Table II.

Metric dimensions (mm) are indicated in parentheses.

**660-004 (Plug) - 660-005 (Receptacle)
Protective Covers
MIL-C-5015**



66 & 78

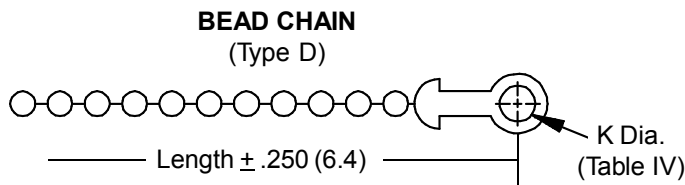
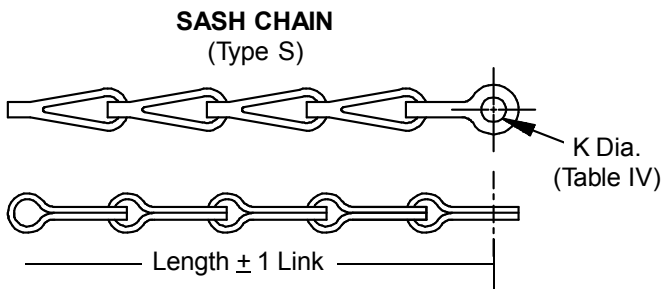


TABLE III: ATTACHMENT

| Sym | Attachment Type |
|-----|--|
| D | Bead Chain, Cres., Passivate |
| F | Wire Rope, Nylon Jacket |
| G | Nylon Rope |
| H | Wire Rope, Fluoropolymer Jacket |
| N | No Attachment |
| R | Wire Rope, PVC Jacket |
| S | #8 Sash Chain, Cres., Passivate |
| T | Wire Rope, No Jacket |
| U | Wire Rope, Polyurethane Jacket with Terminal |

TABLE IV: EYELET

| Dash No. | K DIA |
|----------|------------|
| 01 | .140 (3.6) |
| 02 | .182 (4.6) |
| 03 | .191 (4.9) |
| 04 | .197 (5.0) |
| 05 | .167 (4.2) |
| 06 | .125 (3.2) |
| 07 | .218 (5.5) |
| 09 | .156 (4.0) |
| 00 | No Eyelet |

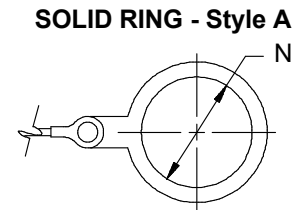


TABLE V: SPLIT RING STYLE C

| Dash No. | L Dia. $\pm .015$ (0.4) | Dash No. | L Dia. $\pm .015$ (0.4) |
|----------|-------------------------|----------|-------------------------|
| 50 | .425 (10.8) | 74 | 1.625 (41.3) |
| 52 | .485 (12.3) | 76 | 1.750 (44.5) |
| 54 | .640 (16.3) | 78 | 1.875 (47.6) |
| 56 | .750 (19.1) | 80 | 1.980 (50.3) |
| 58 | .890 (22.6) | 82 | 2.060 (52.3) |
| 60 | 1.015 (25.8) | 84 | 2.235 (56.8) |
| 62 | 1.095 (27.8) | 86 | 2.310 (58.7) |
| 64 | 1.130 (28.7) | 88 | 2.475 (62.9) |
| 66 | 1.250 (31.8) | 90 | 2.655 (67.4) |
| 68 | 1.350 (34.3) | 92 | 2.810 (71.4) |
| 70 | 1.390 (35.3) | 94 | 3.045 (77.3) |
| 72 | 1.485 (37.7) | | |

TABLE VI: SOLID RING STYLE B

| Dash No. | M Dia. $\pm .015$ (0.4) | Dash No. | M Dia. $\pm .015$ (0.4) |
|----------|-------------------------|----------|-------------------------|
| 08 | .468 (11.9) | 24 | 1.484 (37.7) |
| 10 | .593 (15.1) | 25 | 1.577 (40.1) |
| 12 | .718 (18.2) | 27 | 1.640 (41.7) |
| 13 | .765 (19.4) | 28 | 1.687 (42.8) |
| 14 | .844 (21.4) | 29 | 1.765 (44.8) |
| 15 | .890 (22.6) | 30 | 1.890 (48.0) |
| 16 | .968 (24.6) | 31 | 1.953 (49.6) |
| 17 | 1.015 (25.8) | 32 | 1.968 (50.0) |
| 18 | 1.093 (27.8) | 33 | 2.077 (52.8) |
| 19 | 1.140 (29.0) | 35 | 2.140 (54.4) |
| 20 | 1.203 (30.6) | 36 | 2.187 (55.5) |
| 21 | 1.265 (32.1) | 40 | 2.406 (61.1) |
| 22 | 1.343 (34.1) | 44 | 2.656 (67.5) |
| 23 | 1.453 (36.9) | 48 | 3.031 (77.0) |
| | | 118 | .310 (7.9) |

TABLE VII: SOLID RING STYLE A

| Dash No. | N Dia. $\pm .015$ (0.4) | Dash No. | N Dia. $\pm .015$ (0.4) |
|----------|-------------------------|----------|-------------------------|
| 095 | .312 (7.9) | 109 | 1.266 (32.2) |
| 100 | .391 (9.9) | 209 | 1.312 (33.3) |
| 101 | .516 (13.1) | 110 | 1.391 (35.3) |
| 102 | .583 (14.8) | 210 | 1.438 (36.5) |
| 103 | .641 (16.3) | 111 | 1.521 (38.6) |
| 104 | .708 (18.0) | 211 | 1.536 (39.0) |
| 105 | .766 (19.5) | 112 | 1.641 (41.7) |
| 205 | .788 (20.0) | 113 | 1.766 (44.9) |
| 106 | .896 (22.2) | 213 | 1.812 (46.0) |
| 206 | .907 (23.0) | 114 | 1.891 (48.0) |
| 107 | 1.016 (25.8) | 214 | 1.938 (49.2) |
| 207 | 1.025 (26.0) | 115 | 2.078 (52.8) |
| 108 | 1.141 (29.0) | 116 | 2.406 (61.1) |
| 308 | 1.188 (30.2) | 117 | 2.510 (63.8) |
| 208 | 1.203 (30.6) | | |