

MIL-C-26482

660-008 M 20 S 6 -04

Basic Part No. \_\_\_\_\_  
660-008 Plug  
660-009 Receptacle  
661-001 Receptacle

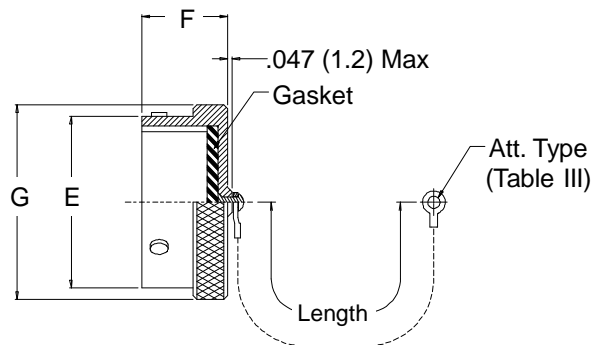
Finish (Table II) \_\_\_\_\_

Shell Size (Table X) \_\_\_\_\_

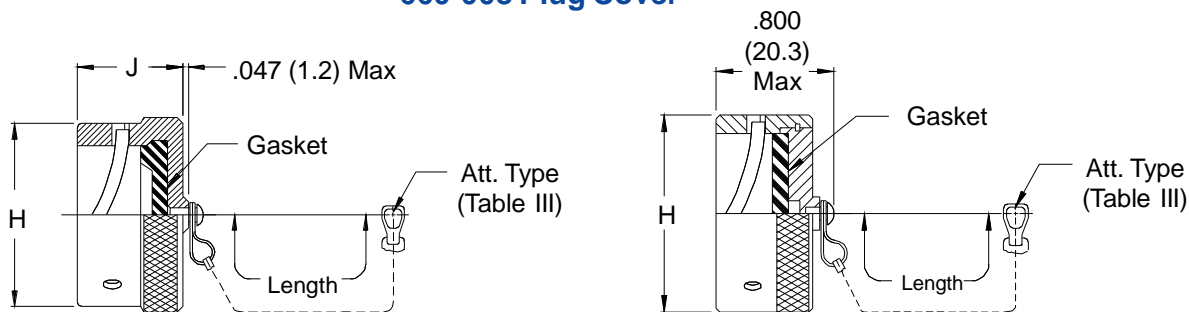
Ring or Eyelet Dash No.  
(Tables IV, V, VI, VII)

Attachment Length (in inches)

Attachment Type (Table III)



660-008 Plug Cover



660-009 Receptacle Cover

661-001 EMI/RFI Receptacle Cover

TABLE X: SHELL SIZE DIMENSIONS

| Shell Size | E Dia        | F Max       | G Dia Max    | H Dia Max    | J Max       |
|------------|--------------|-------------|--------------|--------------|-------------|
| 08         | .473 (12.0)  | .562 (14.3) | .719 (18.3)  | .734 (18.6)  | .562 (14.3) |
| 10         | .590 (15.0)  | .562 (14.3) | .844 (21.4)  | .859 (21.8)  | .562 (14.3) |
| 12         | .750 (19.1)  | .562 (14.3) | 1.000 (25.4) | 1.000 (25.4) | .562 (14.3) |
| 14         | .875 (22.2)  | .562 (14.3) | 1.125 (28.6) | 1.125 (28.6) | .562 (14.3) |
| 16         | 1.000 (25.4) | .562 (14.3) | 1.250 (31.8) | 1.250 (31.8) | .562 (14.3) |
| 18         | 1.125 (28.6) | .562 (14.3) | 1.375 (34.9) | 1.375 (34.9) | .562 (14.3) |
| 20         | 1.250 (31.8) | .625 (15.9) | 1.500 (38.1) | 1.500 (38.1) | .562 (14.3) |
| 22         | 1.375 (34.9) | .625 (15.9) | 1.625 (41.3) | 1.625 (41.3) | .562 (14.3) |
| 24         | 1.500 (38.1) | .658 (16.7) | 1.750 (44.5) | 1.750 (44.5) | .602 (15.3) |

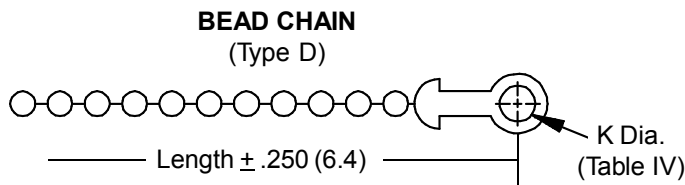
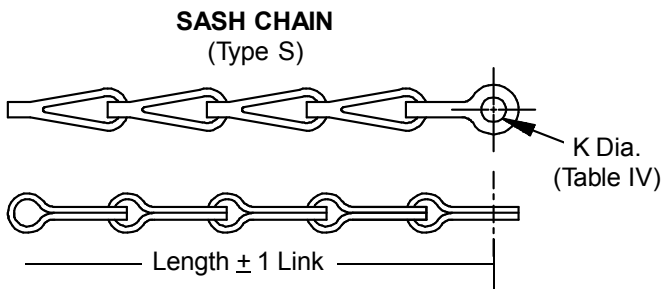
See inside back cover fold-out or page 14 for Table II.

Metric dimensions (mm) are indicated in parentheses.

**660-008 (Plug) - 660-009 (Receptacle)  
661-001 (EMI Receptacle)  
Protective Covers  
MIL-C-26482**



**66 & 78**

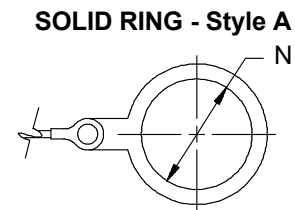
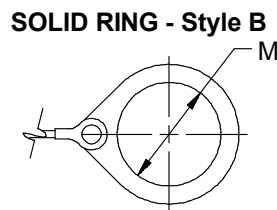
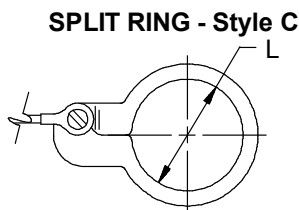


**TABLE III: ATTACHMENT**

| Sym | Attachment Type                              |
|-----|--|
| D   | Bead Chain, Cres., Passivate                 |
| F   | Wire Rope, Nylon Jacket                      |
| G   | Nylon Rope                                   |
| H   | Wire Rope, Fluoropolymer Jacket              |
| N   | No Attachment                                |
| R   | Wire Rope, PVC Jacket                        |
| S   | #8 Sash Chain, Cres., Passivate              |
| T   | Wire Rope, No Jacket                         |
| U   | Wire Rope, Polyurethane Jacket with Terminal |

**TABLE IV: EYELET**

| Dash No. | K DIA      |
|----------|------------|
| 01       | .140 (3.6) |
| 02       | .182 (4.6) |
| 03       | .191 (4.9) |
| 04       | .197 (5.0) |
| 05       | .167 (4.2) |
| 06       | .125 (3.2) |
| 07       | .218 (5.5) |
| 09       | .156 (4.0) |
| 00       | No Eyelet  |



**TABLE V: SPLIT RING STYLE C**

| Dash No. | L Dia. ±.015 (0.4) | Dash No. | L Dia. ±.015 (0.4) |
|----------|--------------------|----------|--------------------|
| 50       | .425 (10.8)        | 74       | 1.625 (41.3)       |
| 52       | .485 (12.3)        | 76       | 1.750 (44.5)       |
| 54       | .640 (16.3)        | 78       | 1.875 (47.6)       |
| 56       | .750 (19.1)        | 80       | 1.980 (50.3)       |
| 58       | .890 (22.6)        | 82       | 2.060 (52.3)       |
| 60       | 1.015 (25.8)       | 84       | 2.235 (56.8)       |
| 62       | 1.095 (27.8)       | 86       | 2.310 (58.7)       |
| 64       | 1.130 (28.7)       | 88       | 2.475 (62.9)       |
| 66       | 1.250 (31.8)       | 90       | 2.655 (67.4)       |
| 68       | 1.350 (34.3)       | 92       | 2.810 (71.4)       |
| 70       | 1.390 (35.3)       | 94       | 3.045 (77.3)       |
| 72       | 1.485 (37.7)       |          |                    |

**TABLE VI: SOLID RING STYLE B**

| Dash No. | M Dia. ±.015 (0.4) | Dash No. | M Dia. ±.015 (0.4) |
|----------|--------------------|----------|--------------------|
| 08       | .468 (11.9)        | 24       | 1.484 (37.7)       |
| 10       | .593 (15.1)        | 25       | 1.577 (40.1)       |
| 12       | .718 (18.2)        | 27       | 1.640 (41.7)       |
| 13       | .765 (19.4)        | 28       | 1.687 (42.8)       |
| 14       | .844 (21.4)        | 29       | 1.765 (44.8)       |
| 15       | .890 (22.6)        | 30       | 1.890 (48.0)       |
| 16       | .968 (24.6)        | 31       | 1.953 (49.6)       |
| 17       | 1.015 (25.8)       | 32       | 1.968 (50.0)       |
| 18       | 1.093 (27.8)       | 33       | 2.077 (52.8)       |
| 19       | 1.140 (29.0)       | 35       | 2.140 (54.4)       |
| 20       | 1.203 (30.6)       | 36       | 2.187 (55.5)       |
| 21       | 1.265 (32.1)       | 40       | 2.406 (61.1)       |
| 22       | 1.343 (34.1)       | 44       | 2.656 (67.5)       |
| 23       | 1.453 (36.9)       | 48       | 3.031 (77.0)       |
|          |                    | 118      | .310 (7.9)         |

**TABLE VII: SOLID RING STYLE A**

| Dash No. | N Dia. ±.015 (0.4) | Dash No. | N Dia. ±.015 (0.4) |
|----------|--------------------|----------|--------------------|
| 095      | .312 (7.9)         | 109      | 1.266 (32.2)       |
| 100      | .391 (9.9)         | 209      | 1.312 (33.3)       |
| 101      | .516 (13.1)        | 110      | 1.391 (35.3)       |
| 102      | .583 (14.8)        | 210      | 1.438 (36.5)       |
| 103      | .641 (16.3)        | 111      | 1.521 (38.6)       |
| 104      | .708 (18.0)        | 211      | 1.536 (39.0)       |
| 105      | .766 (19.5)        | 112      | 1.641 (41.7)       |
| 205      | .788 (20.0)        | 113      | 1.766 (44.9)       |
| 106      | .896 (22.2)        | 213      | 1.812 (46.0)       |
| 206      | .907 (23.0)        | 114      | 1.891 (48.0)       |
| 107      | 1.016 (25.8)       | 214      | 1.938 (49.2)       |
| 207      | 1.025 (26.0)       | 115      | 2.078 (52.8)       |
| 108      | 1.141 (29.0)       | 116      | 2.406 (61.1)       |
| 308      | 1.188 (30.2)       | 117      | 2.510 (63.8)       |
| 208      | 1.203 (30.6)       |          |                    |