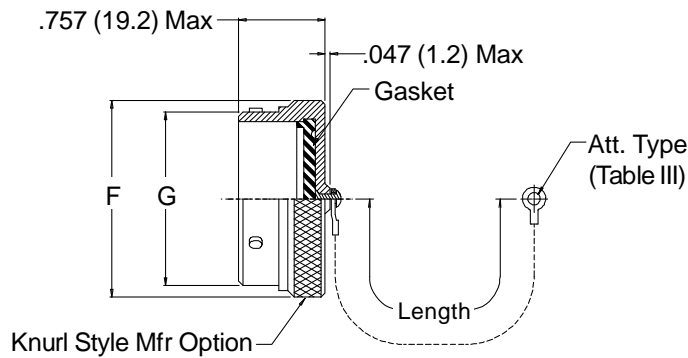
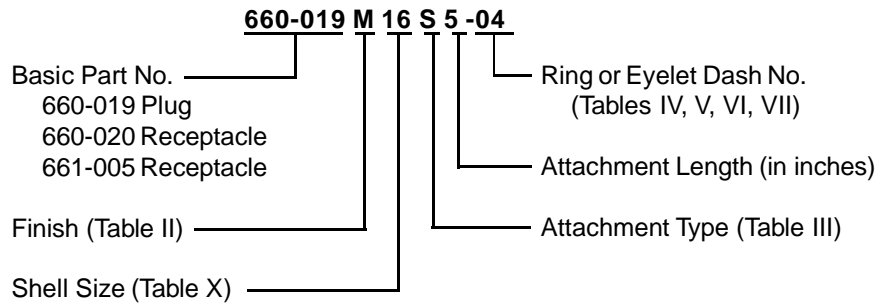
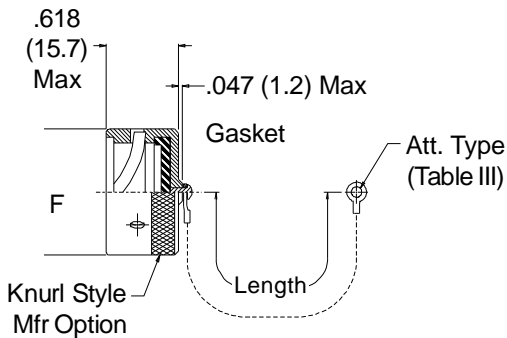


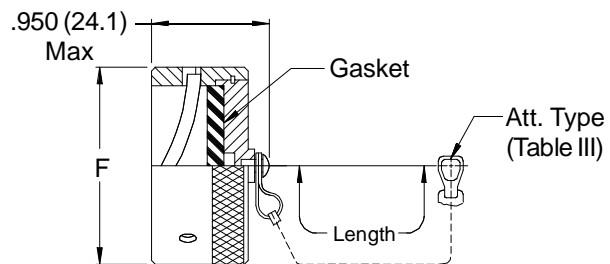
**MIL-C-83723  
 Series III  
 Bayonet**



**660-019 Plug Cover**



**660-020 Receptacle Cover**



**661-005 EMI/RFI Receptacle Cover**

**TABLE X: SHELL SIZE DIMENSIONS**

| Shell Size | F Dia Max    | G Dia        |
|------------|--------------|--------------|
| 08         | .776 (19.7)  | .536 (13.6)  |
| 10         | .906 (23.0)  | .659 (16.7)  |
| 12         | 1.078 (27.4) | .829 (21.1)  |
| 14         | 1.141 (29.0) | .898 (22.8)  |
| 16         | 1.266 (32.2) | 1.025 (26.0) |
| 18         | 1.375 (34.9) | 1.131 (28.7) |
| 20         | 1.510 (38.4) | 1.256 (31.9) |
| 22         | 1.625 (41.3) | 1.381 (35.1) |
| 24         | 1.760 (44.7) | 1.506 (38.3) |

See inside back cover fold-out or page 14 for Table II.

Metric dimensions (mm) are indicated in parentheses.

660-019 (Plug) - 660-020 (Receptacle)  
 661-005 (EMI Receptacle)  
 Protective Covers  
 MIL-C-83723 Series III Bayonet



66 & 78

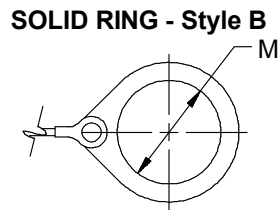


**TABLE III: ATTACHMENT**

| Sym | Attachment Type                              |
|-----|--|
| D   | Bead Chain, Cres., Passivate                 |
| F   | Wire Rope, Nylon Jacket                      |
| G   | Nylon Rope                                   |
| H   | Wire Rope, Fluoropolymer Jacket              |
| N   | No Attachment                                |
| R   | Wire Rope, PVC Jacket                        |
| S   | #8 Sash Chain, Cres., Passivate              |
| T   | Wire Rope, No Jacket                         |
| U   | Wire Rope, Polyurethane Jacket with Terminal |

**TABLE IV: EYELET**

| Dash No. | K DIA      |
|----------|------------|
| 01       | .140 (3.6) |
| 02       | .182 (4.6) |
| 03       | .191 (4.9) |
| 04       | .197 (5.0) |
| 05       | .167 (4.2) |
| 06       | .125 (3.2) |
| 07       | .218 (5.5) |
| 09       | .156 (4.0) |
| 00       | No Eyelet  |



**TABLE V: SPLIT RING STYLE C**

| Dash No. | L Dia. $\pm .015$ (0.4) | Dash No. | L Dia. $\pm .015$ (0.4) |
|----------|-------------------------|----------|-------------------------|
| 50       | .425 (10.8)             | 74       | 1.625 (41.3)            |
| 52       | .485 (12.3)             | 76       | 1.750 (44.5)            |
| 54       | .640 (16.3)             | 78       | 1.875 (47.6)            |
| 56       | .750 (19.1)             | 80       | 1.980 (50.3)            |
| 58       | .890 (22.6)             | 82       | 2.060 (52.3)            |
| 60       | 1.015 (25.8)            | 84       | 2.235 (56.8)            |
| 62       | 1.095 (27.8)            | 86       | 2.310 (58.7)            |
| 64       | 1.130 (28.7)            | 88       | 2.475 (62.9)            |
| 66       | 1.250 (31.8)            | 90       | 2.655 (67.4)            |
| 68       | 1.350 (34.3)            | 92       | 2.810 (71.4)            |
| 70       | 1.390 (35.3)            | 94       | 3.045 (77.3)            |
| 72       | 1.485 (37.7)            |          |                         |

**TABLE VI: SOLID RING STYLE B**

| Dash No. | M Dia. $\pm .015$ (0.4) | Dash No. | M Dia. $\pm .015$ (0.4) |
|----------|-------------------------|----------|-------------------------|
| 08       | .468 (11.9)             | 24       | 1.484 (37.7)            |
| 10       | .593 (15.1)             | 25       | 1.577 (40.1)            |
| 12       | .718 (18.2)             | 27       | 1.640 (41.7)            |
| 13       | .765 (19.4)             | 28       | 1.687 (42.8)            |
| 14       | .844 (21.4)             | 29       | 1.765 (44.8)            |
| 15       | .890 (22.6)             | 30       | 1.890 (48.0)            |
| 16       | .968 (24.6)             | 31       | 1.953 (49.6)            |
| 17       | 1.015 (25.8)            | 32       | 1.968 (50.0)            |
| 18       | 1.093 (27.8)            | 33       | 2.077 (52.8)            |
| 19       | 1.140 (29.0)            | 35       | 2.140 (54.4)            |
| 20       | 1.203 (30.6)            | 36       | 2.187 (55.5)            |
| 21       | 1.265 (32.1)            | 40       | 2.406 (61.1)            |
| 22       | 1.343 (34.1)            | 44       | 2.656 (67.5)            |
| 23       | 1.453 (36.9)            | 48       | 3.031 (77.0)            |
|          |                         | 118      | .310 (7.9)              |

**TABLE VII: SOLID RING STYLE A**

| Dash No. | N Dia. $\pm .015$ (0.4) | Dash No. | N Dia. $\pm .015$ (0.4) |
|----------|-------------------------|----------|-------------------------|
| 095      | .312 (7.9)              | 109      | 1.266 (32.2)            |
| 100      | .391 (9.9)              | 209      | 1.312 (33.3)            |
| 101      | .516 (13.1)             | 110      | 1.391 (35.3)            |
| 102      | .583 (14.8)             | 210      | 1.438 (36.5)            |
| 103      | .641 (16.3)             | 111      | 1.521 (38.6)            |
| 104      | .708 (18.0)             | 211      | 1.536 (39.0)            |
| 105      | .766 (19.5)             | 112      | 1.641 (41.7)            |
| 205      | .788 (20.0)             | 113      | 1.766 (44.9)            |
| 106      | .896 (22.2)             | 213      | 1.812 (46.0)            |
| 206      | .907 (23.0)             | 114      | 1.891 (48.0)            |
| 107      | 1.016 (25.8)            | 214      | 1.938 (49.2)            |
| 207      | 1.025 (26.0)            | 115      | 2.078 (52.8)            |
| 108      | 1.141 (29.0)            | 116      | 2.406 (61.1)            |
| 308      | 1.188 (30.2)            | 117      | 2.510 (63.8)            |
| 208      | 1.203 (30.6)            |          |                         |