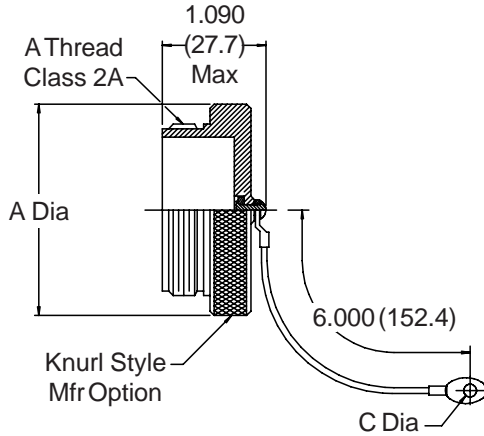


667-011 PLUG COVER

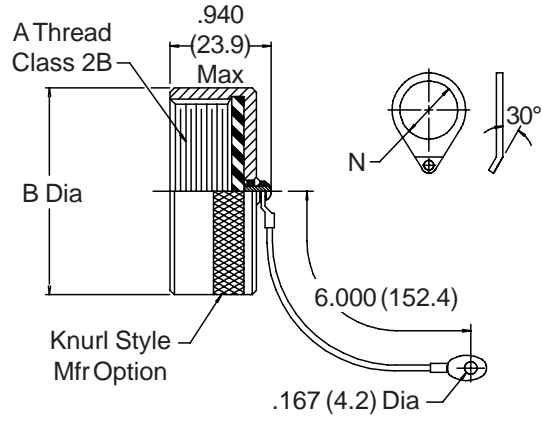


Product Series **667-011 - 14 - 04**

Shell Size (Table I)

Attachment Dash No.
No Dash Required for
Standard .167 (4.2) Dia.

667-012 RECEPTACLE COVER



Product Series **667-012 - 14 - 02**

Shell Size (Table I)

Attachment Ring (Table II)
Omit for Standard Lug
Termination or N = No
Attachment

TABLE I

| SHELL SIZE | A MAX | B MAX | ATHREAD CLASS 2A & 2B |
|------------|--------------|---------------------|-----------------------|
| 10 | 1.031 (26.2) | .820 (20.8) | 5/8 - 24 UNEF |
| 12 | 1.125 (28.6) | .940 (23.9) | 3.4 - 20 UNEF |
| 14 | 1.219 (31.0) | 1.060 (26.9) | 7/8 - 20 UNEF |
| 16 | 1.312 (33.3) | 1.190 (30.2) | 1 - 20 UNEF |
| 18 | 1.406 (35.7) | 1.320 (33.5) | 1 1/8 - 18 UNEF |
| 20 | 1.553 (39.4) | 1.440 (36.6) | 1 1/4 - 18 UNEF |
| 24 | 1.781 (45.2) | 1.690 (42.9) | 1 1/2 - 18 UNEF |
| 28 | 2.031 (51.6) | 1.940 (49.3) | 1 3/4 - 18 UNEF |
| 32 | 2.281 (57.9) | 2.190 (55.6) | 2 - 18 UNS |
| 36 | 2.553 (64.8) | 2.440 (62.0) | 2 1/4 - 16 UN |
| 40 | 2.781 (70.6) | 2.630 (66.8) | 2 1/2 - 16 UN |

TABLE II

| DASH NO. | SHELL SIZE | C DIA | D DIA |
|----------|---------------|------------|--------------|
| 01 | 10 & 12 | .140 (3.6) | .765 (19.4) |
| 02 | 14 | .182 (4.6) | .890 (22.6) |
| 03 | 16 | .191 (4.9) | 1.015 (25.8) |
| 04 | 18 | .197 (5.0) | 1.140 (29.0) |
| 06 | 20 | .125 (3.2) | 1.265 (32.1) |
| 08 | 24 | — | 1.577 (40.1) |
| 10 | 28 | — | 1.765 (44.8) |
| Std | | .167 (4.2) | .167 (4.2) |
| N | No Attachment | | — |

Notes:

1. Metric dimensions (mm) are indicated in parentheses.
2. Rivet to be ultrasonically or chemically welded to cover.
3. Attachment is Wire Rope, Heavy Duty, Cres/Passivated with black polyurethane jacketing.