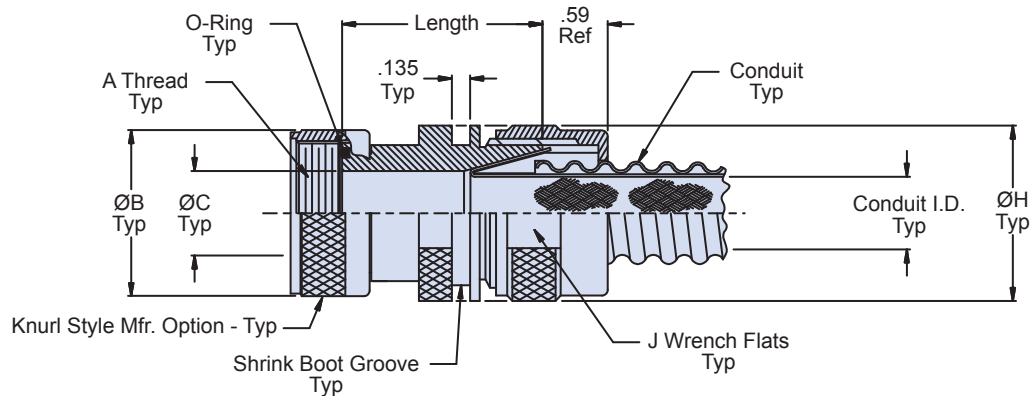
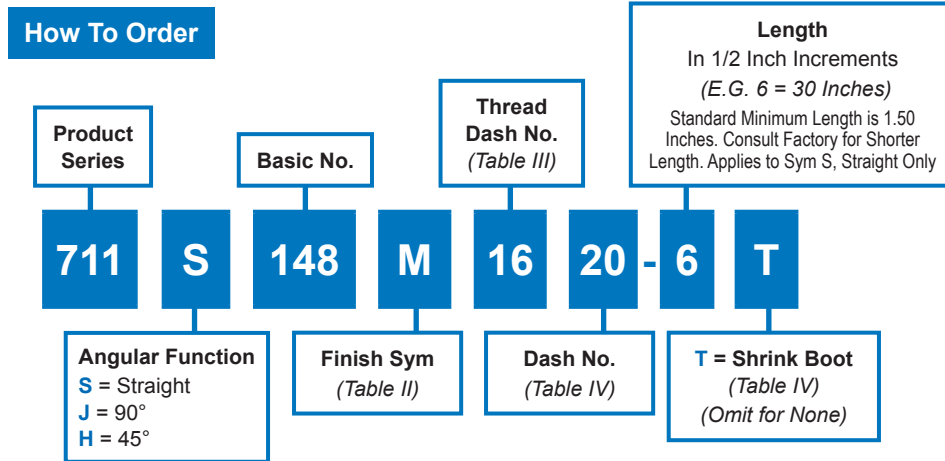




711-148  
Internal Braid System  
Conduit to Transition or End Fitting

**Internal Braid System convoluted tubing to transition or end fitting adapter**



**Sym S - Straight**

Intermateability Guide	
For use with	
Y transitions	710-106, 710-107, 710-370,
T transitions	710-108, 710-109, 710-371
Connector adapters	713-100, 713-101, 713-110
Bulkhead adapters	710-100, 710-101, 710-372
Bulkhead feed-thrus	710-102, 710-103, 710-373
Male Pipe thread adapters	710-114, 710-115, 710-405
Female pipe thread adapters	710-116, 710-117, 710-406

**Material & Finish**

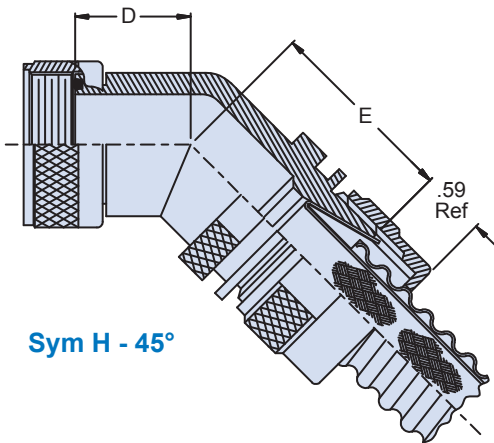
- Adapters, Elbows, Coupling Nuts & Ferrules: See Table III
- O-Rings: Silicone/NA
- Shrink Boot: See Individual Drawings

711-148  
Internal Braid System  
Conduit to Transition or End Fitting

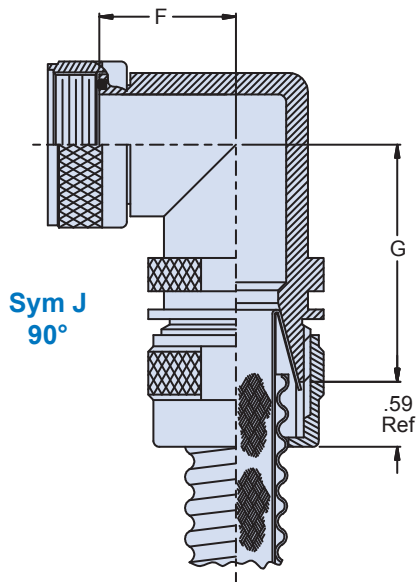


Table III: Dash No./Dimensions

Thread Dash No.	A Thread Class 2B	Ø B Max	Ø C	D Max	E Max	F Max	G Max	Max Conduit Dash No.
06	7/16-28 UNEF	.640 (16.3)	.188 (4.78)	.66 (16.8)	1.64 (41.7)	.81 (20.6)	1.75 (44.5)	20
09	9/16-24 UNEF	.690 (17.5)	.281 (7.14)	.66 (16.8)	1.64 (41.7)	.81 (20.6)	1.75 (44.5)	24
10	9/16-24 UNEF	.690 (17.5)	.312 (7.92)	.66 (16.8)	1.64 (41.7)	.81 (20.6)	1.75 (44.5)	24
12	5/8-24 UNEF	.760 (19.3)	.375 (9.53)	.66 (16.8)	1.67 (42.4)	.81 (20.6)	1.82 (46.2)	24
14	11/16-24 UNEF	.890 (22.6)	.438 (11.1)	.69 (17.5)	1.67 (42.4)	.87 (22.1)	1.82 (46.2)	28
16	3/4-20 UNEF	.890 (22.6)	.500 (12.7)	.69 (17.5)	1.67 (42.4)	.87 (22.1)	1.82 (46.2)	28
20	7/8-20 UNEF	1.024 (26.0)	.625 (15.9)	.71 (18.0)	1.69 (42.9)	.92 (23.4)	1.88 (47.8)	32
24	1-20 UNEF	1.152 (29.3)	.750 (19.1)	.73 (18.5)	1.72 (43.7)	.98 (24.9)	1.94 (49.3)	32
28	13/16-18 UNEF	1.363 (34.6)	.875 (22.2)	.77 (19.6)	1.75 (44.5)	1.08 (27.6)	2.00 (50.8)	40
32	15/16-18 UNEF	1.488 (37.8)	1.000 (25.4)	.80 (20.3)	1.80 (45.7)	1.14 (29.0)	2.12 (53.8)	40
40	1 1/2-18 UNEF	1.676 (42.6)	1.250 (31.8)	.82 (20.8)	1.84 (46.7)	1.20 (30.5)	2.24 (56.9)	48
48	1 3/4-18 UNS	1.960 (49.8)	1.500 (38.1)	1.04 (26.4)	1.88 (47.8)	1.48 (37.6)	2.31 (58.7)	56
56	2-18 UNS	2.210 (56.1)	1.750 (44.5)	1.09 (27.7)	1.93 (49.0)	1.61 (40.9)	2.44 (62.0)	64
64	2 1/4-16 UN	2.460 (62.5)	2.000 (50.8)	1.14 (29.0)	1.97 (50.0)	1.72 (43.7)	2.55 (64.8)	64



Sym H - 45°



Sym J  
90°

Table IV: Dash No./Dimensions/Boot

Dash No.	Conduit I.D.	Ø H	J Flat	Shrink Boot Part No.
06		.94 (23.9)	.812 (20.6)	770-001S105
09		1.00 (25.4)	.875 (22.2)	770-001S106
10		1.06 (26.9)	.937 (23.8)	770-001S106
12		1.13 (28.7)	1.000 (25.4)	770-001S106
14		1.19 (30.2)	1.062 (27.0)	770-001S106
16	See 121-195 Conduit Drawing	1.25 (31.8)	1.125 (28.6)	770-001S107
20		1.38 (35.1)	1.250 (31.8)	770-001S107
24		1.56 (39.6)	1.437 (36.5)	770-001S108
28		1.69 (42.9)	1.562 (39.7)	770-001S108
32		1.88 (47.8)	1.750 (44.5)	770-001S108
40		2.13 (54.1)	2.000 (50.8)	770-001S108
48		2.50 (63.5)	2.375 (60.3)	TBD
56		2.75 (69.9)	2.625 (66.7)	TBD
64		3.00 (76.2)	2.875 (73.0)	TBD

Table II: Material/Finish

Sym	Material	Finish Description
M	Aluminum Alloy	Electroless Nickel
MT	Aluminum Alloy	Nickel-PTFE
NF	Aluminum Alloy	Cad/O.D. Over Electroless Nickel (1,000 Hour Salt Spray)
Z1	300 Series SST	Passivate
ZM	300 Series SST	Electroless Nickel
ZN	Aluminum Alloy	Zinc Nickel/O.D. Over Electroless Nickel (1,000 Hour Salt Spray)
ZW	300 Series SST	Cad O.D. Over Electroless Nickel