

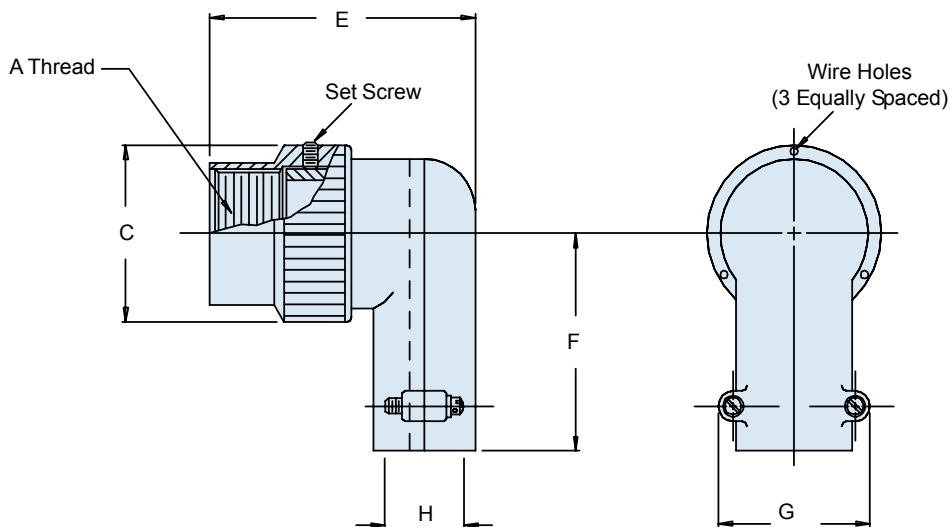
# MS27558 90° Non-Self-Locking Strain Relief



Misc. Backshells  
and Accessories

CONNECTOR DESIGNATOR:	
<b>E</b>	MIL-DTL-26500

Basic Part Number	Dash Number
<b>MS27558</b>	<b>- 3</b>



**TABLE I: Dash Number, Shell Size, Thread and Dimensions**

Dash No.	Shell Size Ref.	A Thread Class 2B	C Max	E Max	F Max	G Max	H Dia
1*	8	.437 - 28 UNEF	.672 (17.1)	1.200 (30.5)	.602 (15.3)	.892 (22.7)	.240 (6.1)
2	10	.562 - 24 UNEF	.797 (20.2)	1.320 (33.5)	.650 (16.5)	1.072 (27.2)	.365 (9.3)
3	12	.750 - 20 UNEF	1.016 (25.8)	1.320 (33.5)	.740 (18.8)	1.072 (27.2)	.365 (9.3)
4	14	.812 - 20 UNEF	1.110 (28.2)	1.487 (37.8)	.775 (19.7)	1.108 (28.1)	.515 (13.1)
5	16	.938 - 20 UNEF	1.234 (31.3)	1.470 (37.3)	.830 (21.1)	1.108 (28.1)	.515 (13.1)
6	18	1.062 - 18 UNEF	1.360 (34.5)	1.588 (40.3)	.897 (22.8)	1.233 (31.3)	.640 (16.3)
7	20	1.188 - 18 UNEF	1.485 (37.7)	1.759 (44.7)	.955 (24.3)	1.477 (37.5)	.775 (19.7)
8	22	1.312 - 18 UNEF	1.610 (40.9)	1.759 (44.7)	1.015 (25.8)	1.477 (37.5)	.775 (19.7)
9	24	1.438 - 18 UNEF	1.735 (44.1)	2.027 (51.5)	1.077 (27.4)	1.727 (43.9)	1.060 (26.9)

\* Consult Factory

### APPLICATION NOTES

1. Finish: Anodize.
2. Assembly to be identified with manufacturer's name and part number, space permitting.
3. For complete dimensions, see the applicable Military Specification.
4. Metric dimensions (mm) are in parentheses.

Dimensions in inches (millimeters) and are subject to change without notice.

