

M83723/35N Non-Self-Locking E-Nut



MIL-DTL-83723

CONNECTOR DESIGNATOR:	
K	MIL-DTL-83723 Series II

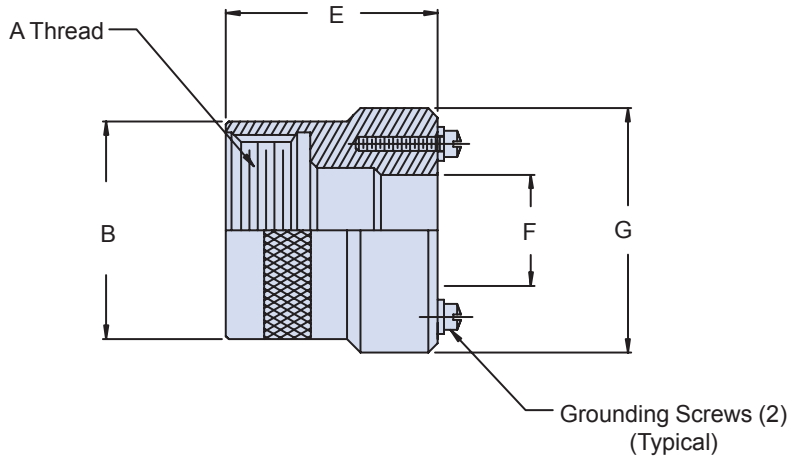
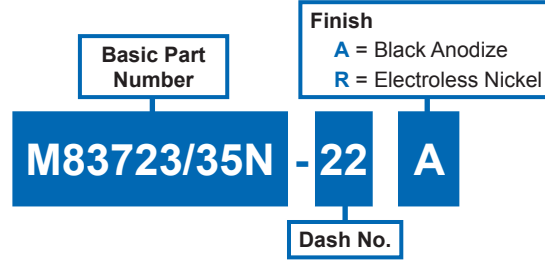


TABLE I: Dash Number, Shell Size, Thread and Dimensions									
Dash No.	Shell Size Ref.	A Thread Class 2B	Ø B Max	E Max	F Max	G Max			
08	8S	.438 - 28 UNEF	.59 (15.0)	.780 (19.8)	.257 (6.5)	.900 (22.9)			
10	10S	.500 - 28 UNEF	.65 (16.5)	.780 (19.8)	.310 (7.9)	.900 (22.9)			
11	10SL	.562 - 24 UNEF	.73 (18.5)	.780 (19.8)	.390 (9.9)	.980 (24.9)			
13	12S	.625 - 24 UNEF	.77 (19.6)	.780 (19.8)	.415 (10.5)	.995 (25.3)			
15	14S	.750 - 20 UNEF	.91 (23.1)	.780 (19.8)	.497 (12.6)	1.160 (29.5)			
16	16	.875 - 20 UNEF	1.03 (26.2)	.970 (24.6)	.616 (15.6)	1.260 (32.0)			
17	16S	.875 - 20 UNEF	1.03 (26.2)	.780 (19.8)	.616 (15.6)	1.260 (32.0)			
18	18	1.000 - 20 UNEF	1.17 (29.7)	1.050 (26.7)	.735 (18.7)	1.455 (37.0)			
20	33	1.125 - 18 UNEF	1.30 (33.0)	1.050 (26.7)	.875 (22.2)	1.580 (40.1)			
22	20	1.250 - 18 UNEF	1.42 (36.1)	1.050 (26.7)	.983 (25.0)	1.580 (40.1)			
24	22	1.375 - 18 UNEF	1.54 (39.1)	.970 (24.6)	1.095 (27.8)	1.890 (48.0)			
28	28	1.625 - 18 UNEF	1.80 (45.7)	.970 (24.6)	1.255 (31.9)	1.890 (48.0)			
32	32	1.875 - 16 UN	2.04 (51.8)	.970 (24.6)	1.525 (38.7)	2.215 (56.3)			
36	36	2.125 - 16 UN	2.27 (57.7)	.970 (24.6)	1.760 (44.7)	2.405 (61.1)			
40	40	2.375 - 16 UN	2.78 (70.6)	1.450 (36.8)	2.020 (51.3)	2.781 (70.6)			

APPLICATION NOTES

- For complete dimensions, see the applicable Military Specification.
- Metric dimensions (mm) are indicated in parentheses.

Dimensions in inches (millimeters) and are subject to change without notice.

© 2013 Glenair, Inc.

Mil-Spec Backshells

U.S. CAGE Code 06324

Rev. 8.29.14

Printed in U.S.A.

