



AS85049/15 and AS85049/16

45° and 90° Qwik-Ty® Strain Reliefs

Self-Locking Coupling • Optional Ground Lug

CONNECTOR DESIGNATOR:

H MIL-DTL-38999, Series III and IV
EN3645

SELF-LOCKING COUPLING

Basic Part Number

M85049/15 = 45°
M85049/16 = 90°

M85049/15

G

11

N

Shell Size

Configuration

— = Non-Self-Locking
N = Non-Detented
G = Self-Locking with Ground Lug
H = Non-Detented with Ground Lug
S = Self-Locking without Ground Lug

Finish

A = Anodize, Black
N = Electroless Nickel
W = 1,000 Hour Cadmium Olive Drab
 over Electroless Nickel
X = Nickel Fluorocarbon Polymer
Y = Pure Dense Electrodeposited
 Aluminum
Z = Zinc-Nickel, Black

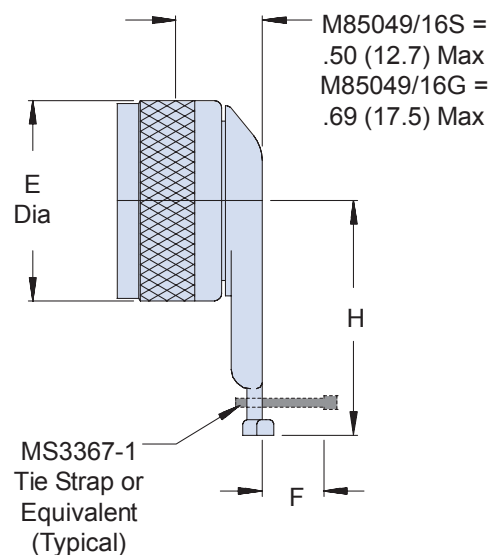
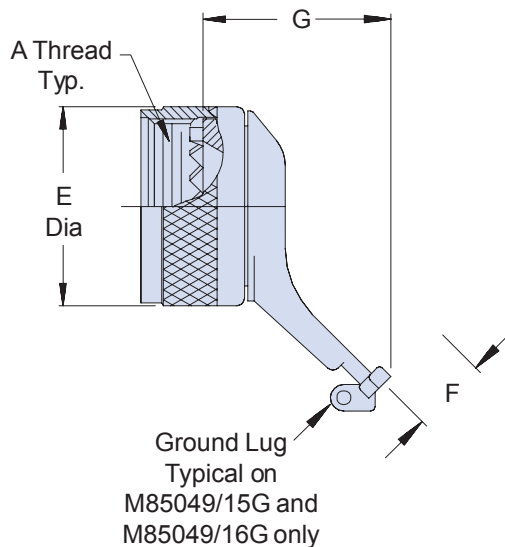


TABLE I: Shell Size, Thread, Cable Entry and Backshell Dimensions

Shell Size	A Thread Class 2B	E Dia Max	F Max Cable Entry	M85049/15S G Max	M85049/15G G Max	M85049/16 H Max
9	M12 X 1 - 6H	.860 (21.8)	.264 (6.7)	1.030 (26.2)	1.210 (30.7)	1.220 (31.0)
11	M15 X 1 - 6H	.984 (25.0)	.392 (10.0)	1.030 (26.2)	1.210 (30.7)	1.290 (32.8)
13	M18 X 1 - 6H	1.160 (29.5)	.506 (12.9)	1.030 (26.2)	1.390 (35.3)	1.620 (41.1)
15	M22 X 1 - 6H	1.280 (32.5)	.631 (16.0)	1.090 (27.7)	1.390 (35.3)	1.660 (42.2)
17	M25 X 1 - 6H	1.410 (35.8)	.756 (19.2)	1.110 (28.2)	1.390 (35.3)	1.720 (43.7)
19	M28 X 1 - 6H	1.520 (38.6)	.845 (21.5)	1.210 (30.7)	1.390 (35.3)	1.720 (43.7)
21	M31 X 1 - 6H	1.640 (41.7)	.970 (24.6)	1.260 (32.0)	1.390 (35.3)	1.790 (45.5)
23	M34 X 1 - 6H	1.770 (45.0)	1.095 (27.8)	1.300 (33.0)	1.390 (35.3)	1.850 (47.0)
25	M37 X 1 - 6H	1.890 (48.0)	1.220 (31.0)	1.340 (34.0)	1.390 (35.3)	1.910 (48.5)

APPLICATION NOTES

1. Assembly identified with manufacturer's name and part number, space permitting.
2. For complete dimensions, see the applicable Military Specification.
3. Cable entry is defined as the accommodation range for the wire bundle or cable. Dimensions shown are not intended for inspection criteria.
4. Metric dimensions (mm) are in parentheses.

Dimensions in inches (millimeters) and are subject to change without notice.