

**AS85049/15 and AS85049/16**  
**45° and 90° Qwik-Ty® Strain Reliefs**  
**Self-Locking Coupling • Optional Ground Lug**



**CONNECTOR DESIGNATOR:**  
**H** MIL-DTL-38999, Series III and IV  
 EN3645

**SELF-LOCKING  
 COUPLING**

**Configuration**  
 — = Non-Self-Locking  
**N** = Non-Detented  
**G** = Self-Locking with Ground Lug  
**H** = Non-Detented with Ground Lug  
**S** = Self-Locking without Ground Lug

**Basic Part Number**  
 M85049/15 = 45°  
 M85049/16 = 90°

**M85049/15**

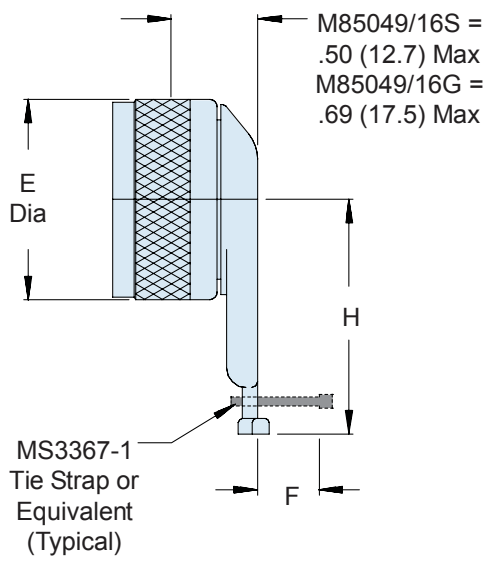
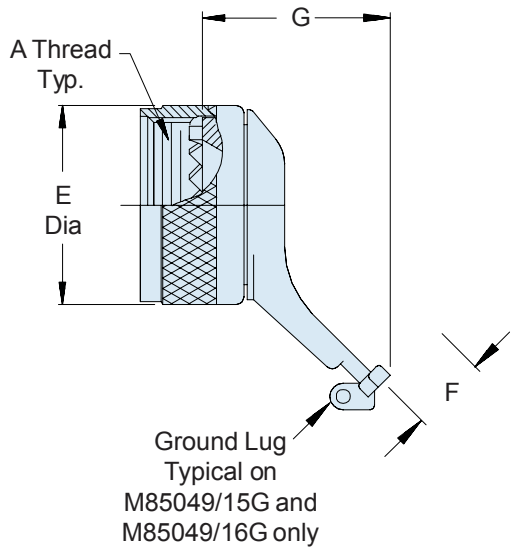
**G**

**11**

**N**

**Shell Size**

**Finish**  
**A** = Anodize, Black  
**N** = Electroless Nickel  
**W** = 1,000 Hour Cadmium Olive Drab  
 over Electroless Nickel  
**X** = Pure Dense Electrodeposited  
 Aluminum  
**Y** = Passivated  
**Z** = Zinc-Nickel, Black



**TABLE I: Shell Size, Thread, Cable Entry and Backshell Dimensions**

| Shell Size | A Thread Class 2B | D Dia Max    | F Max Cable Entry | M85049/15S G Max | M85049/15G G Max | M85049/16 H Max |
|------------|-------------------|--------------|-------------------|------------------|------------------|-----------------|
| 9          | M12 X 1 - 6H      | .860 (21.8)  | .264 (6.7)        | 1.030 (26.2)     | 1.210 (30.7)     | 1.220 (31.0)    |
| 11         | M15 X 1 - 6H      | .984 (25.0)  | .392 (10.0)       | 1.030 (26.2)     | 1.210 (30.7)     | 1.290 (32.8)    |
| 13         | M18 X 1 - 6H      | 1.160 (29.5) | .506 (12.9)       | 1.030 (26.2)     | 1.390 (35.3)     | 1.620 (41.1)    |
| 15         | M22 X 1 - 6H      | 1.280 (32.5) | .631 (16.0)       | 1.090 (27.7)     | 1.390 (35.3)     | 1.660 (42.2)    |
| 17         | M25 X 1 - 6H      | 1.410 (35.8) | .756 (19.2)       | 1.110 (28.2)     | 1.390 (35.3)     | 1.720 (43.7)    |
| 19         | M28 X 1 - 6H      | 1.520 (38.6) | .845 (21.5)       | 1.210 (30.7)     | 1.390 (35.3)     | 1.720 (43.7)    |
| 21         | M31 X 1 - 6H      | 1.640 (41.7) | .970 (24.6)       | 1.260 (32.0)     | 1.390 (35.3)     | 1.790 (45.5)    |
| 23         | M34 X 1 - 6H      | 1.770 (45.0) | 1.095 (27.8)      | 1.300 (33.0)     | 1.390 (35.3)     | 1.850 (47.0)    |
| 25         | M37 X 1 - 6H      | 1.890 (48.0) | 1.220 (31.0)      | 1.340 (34.0)     | 1.390 (35.3)     | 1.910 (48.5)    |

- APPLICATION NOTES**
1. Assembly identified with manufacturer's name and part number, space permitting.
  2. For complete dimensions, see the applicable Military Specification.
  3. Cable entry is defined as the accommodation range for the wire bundle or cable. Dimensions shown are not intended for inspection criteria.
  4. Metric dimensions (mm) are in parentheses.