



AS85049/43 and MS3415

Strain Relief

45° Self-Locking or Non-Self-Locking

CONNECTOR DESIGNATOR:

A

AS5015 Series AS34001 Crimp,
MIL-DTL-26482 Series II,
AS81703 Crimp Series III,
MIL-DTL-83723 Series I & III

Basic
Part Number

M85049/43

Dash No.

S

10

W

S = Self-Locking
Use Dash for Non-Self-Locking
N = Non-Detented

Finish

A = Anodize, Black
N = Electroless Nickel
W = 1,000 Hour Cadmium Olive Drab
over Electroless Nickel
X = Nickel Fluorocarbon Polymer
Y = Pure Dense Electrodeposited
Aluminum
Z = Zinc-Nickel, Black

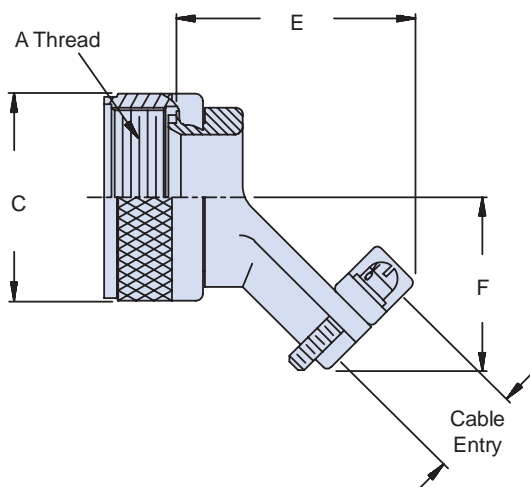


TABLE I: Shell Size, Cable Entry and Backshell Dimensions

| Dash No. | A Thread Class 2B | C Max | E Closed | | F Max | | Cable Entry | | | |
|----------|-------------------|--------------|----------|--------|-------|--------|-------------|--------|-------|--------|
| | | | | | | | Min | Max | Min | Max |
| 3* | .562 - 24 UNEF | .669 (17.0) | 1.160 | (29.5) | .772 | (19.6) | .125 | (3.2) | .204 | (5.2) |
| 8 | .500 - 20 UNF | .885 (22.5) | 1.650 | (29.5) | .772 | (19.6) | .125 | (3.2) | .204 | (5.2) |
| 10 | .625 - 24 UNEF | 1.010 (25.7) | 1.694 | (30.6) | .803 | (20.4) | .187 | (4.7) | .286 | (7.3) |
| 12 | .750 - 20 UNEF | 1.135 (28.8) | 1.768 | (32.5) | .866 | (22.0) | .291 | (7.4) | .416 | (10.6) |
| 14 | .875 - 20 UNEF | 1.260 (32.0) | 1.840 | (33.5) | .928 | (23.6) | .351 | (8.9) | .476 | (12.1) |
| 16 | 1.000 - 20 UNEF | 1.385 (35.2) | 1.916 | (36.2) | .991 | (25.2) | .501 | (12.7) | .625 | (15.9) |
| 18 | 1.062 - 18 UNEF | 1.570 (39.9) | 2.034 | (39.2) | 1.110 | (28.2) | .518 | (13.2) | .706 | (17.9) |
| 20 | 1.188 - 18 UNEF | 1.635 (41.5) | 2.078 | (40.3) | 1.172 | (29.8) | .581 | (14.8) | .831 | (21.1) |
| 22 | 1.313 - 18 UNEF | 1.760 (44.7) | 2.122 | (41.5) | 1.235 | (31.4) | .644 | (16.4) | .956 | (24.3) |
| 24 | 1.438 - 18 UNEF | 1.885 (47.9) | 2.166 | (42.6) | 1.297 | (32.9) | .706 | (17.9) | 1.081 | (27.5) |
| 28 | 1.750 - 18 UNS | 2.135 (54.2) | 2.461 | (45.7) | 1.543 | (39.2) | .750 | (19.1) | 1.187 | (30.1) |
| 32 | 2.000 - 18 UNS | 2.315 (58.8) | 2.549 | (48.0) | 1.668 | (42.4) | .875 | (22.2) | 1.250 | (31.8) |
| 36 | 2.250 - 16 UN | 2.635 (66.9) | 2.595 | (49.1) | 1.793 | (45.5) | .938 | (23.8) | 1.375 | (34.9) |
| 40 | 2.500 - 16 UN | 2.885 (73.3) | 2.599 | (49.1) | 1.918 | (48.7) | .938 | (23.8) | 1.500 | (38.1) |
| 44 | 2.750 - 16 UN | 3.135 (79.6) | 2.860 | (55.9) | 2.132 | (54.2) | 1.188 | (30.2) | 1.750 | (44.5) |
| 48 | 3.000 - 16 UN | 3.385 (86.0) | 2.918 | (58.1) | 2.257 | (57.3) | 1.312 | (33.3) | 1.875 | (47.6) |
| 61* | 1.500 - 18 UNEF | 1.653 (41.5) | 1.676 | (42.6) | 1.204 | (30.6) | .706 | (17.9) | 1.081 | (27.5) |

* See Note 5

APPLICATION NOTES

1. Assembly to be identified with manufacturer's name and part number, space permitting.
2. Cable Entry is defined as the accommodation entry for the wire bundle or cable. Dimensions are not intended for inspection criteria.
3. For complete dimensions, see the applicable Military Specification.
4. Metric dimensions (mm) are in parentheses.
5. Non-Self-Locking only.

Dimensions in inches (millimeters) and are subject to change without notice.