

AS85049/44 and M83733/16 Straight Non-Self-Locking Strain Relief



AS85049

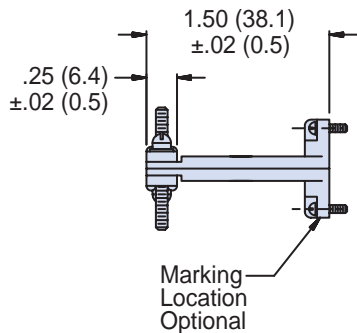
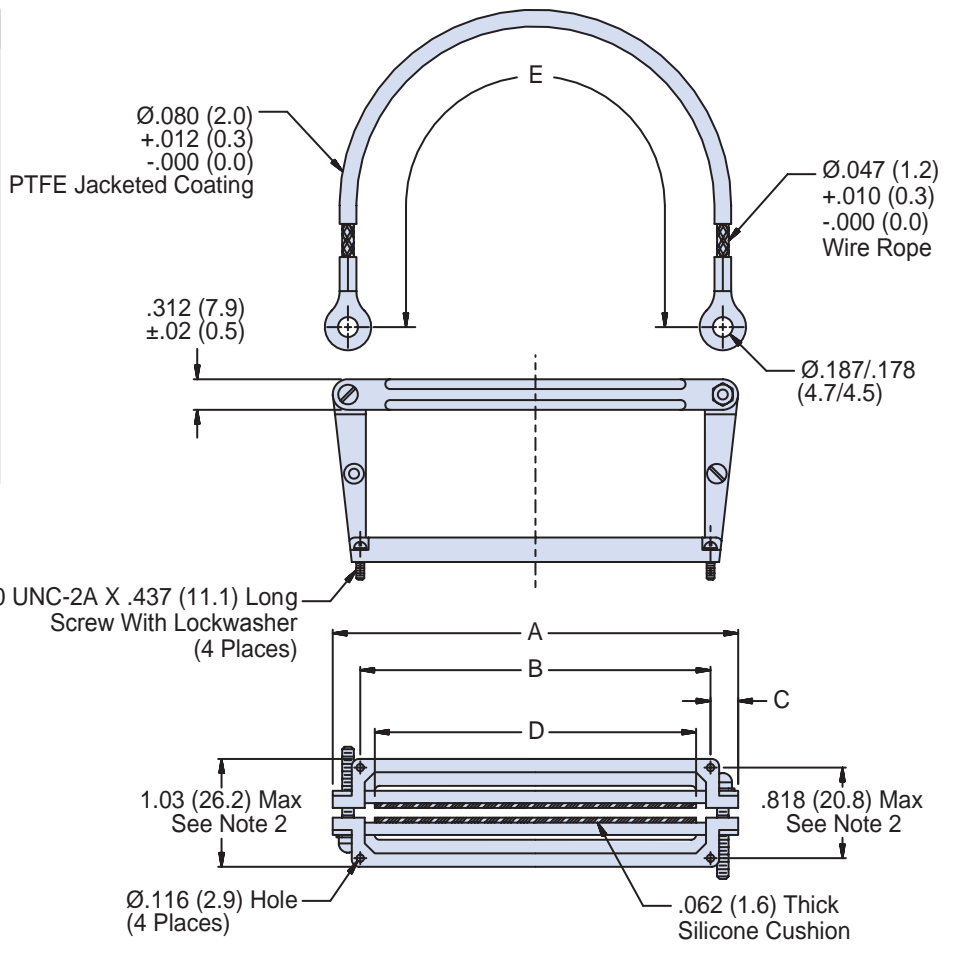
Basic Part Number: **M85049/44**
Dash No.: **3**

Superseded Part Number: **M83733/16-16**

Basic Part No.: []
Dash No.: []

B

- ### APPLICATION NOTES
1. Assembly to be identified with manufacturer's name and part number, space permitting.
 2. Maximum dimension with halves bottomed.
 3. For complete dimensions, see the applicable Military Specification.
 4. Metric dimensions (mm) are in parentheses.
 5. Material/Finish:
Frame and saddles - Aluminum alloy/Electroless nickel
Hardware - CRES/Passivated
Saddle cushion - Silicone/N/A



Dash No.	Shell Size	A Dim $\pm .062$ (1.6)	B Dim $\pm .005$ (0.1)	C Dim $\pm .032$ (0.8)	D Dim $\pm .062$ (1.6)	E Dim $\pm .062$ (1.6)	Lanyard
1	A	2.437 (61.9)	1.895 (48.1)	.271 (6.9)	1.70 (43.2)	N/A	Without
2	B	3.750 (95.3)	3.195 (81.2)	.277 (7.0)	3.00 (76.2)	N/A	
3	A	2.437 (61.9)	1.895 (48.1)	.271 (6.9)	1.70 (43.2)	10.375 (263.5)	With
4	B	3.750 (95.3)	3.195 (81.2)	.277 (7.0)	3.00 (76.2)	10.375 (263.5)	

Dimensions in inches (millimeters) and are subject to change without notice.