

AS85049/44 and M83733/16 Straight Non-Self-Locking Strain Relief



AS85049

Basic Part Number
Dash No.
M85049/44 - 3

Superseded Part Number
M83733/16-16
Basic Part No.
Dash No.

B

- APPLICATION NOTES**
1. Assembly to be identified with manufacturer's name and part number, space permitting.
 2. Maximum dimension with halves bottomed.
 3. For complete dimensions, see the applicable Military Specification.
 4. Metric dimensions (mm) are in parentheses.
 5. Material/Finish:
 Frame and saddles - Aluminum alloy/Electroless nickel
 Hardware - CRES/Passivated
 Saddle cushion - Silicone/N/A

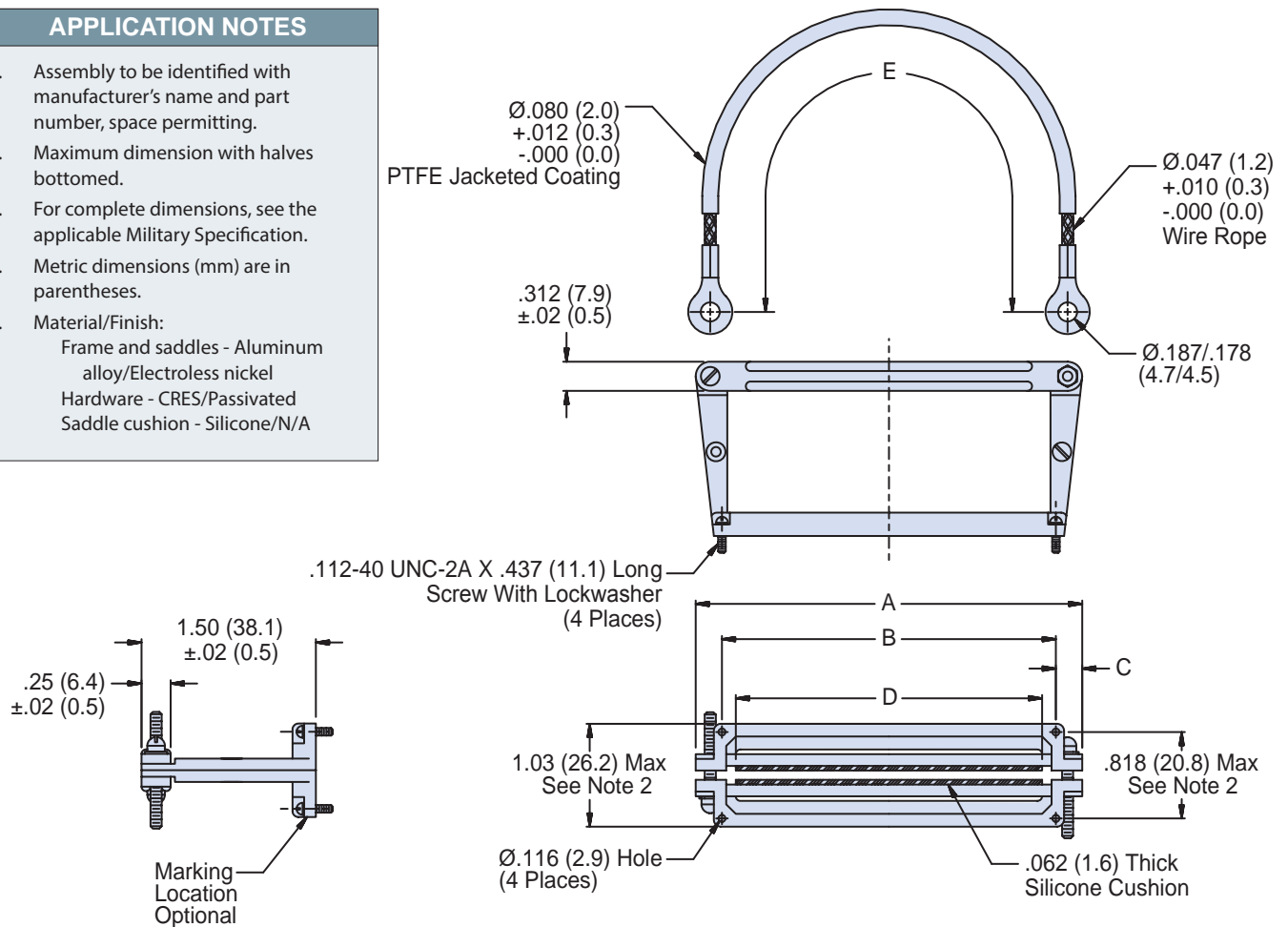


TABLE I: Dash Number, Shell Size and Dimensions

Dash No.	Shell Size	A Dim $\pm.062$ (1.6)	B Dim $\pm.005$ (0.1)	C Dim $\pm.032$ (0.8)	D Dim $\pm.062$ (1.6)	E Dim $\pm.062$ (1.6)	Lanyard
1	A	2.437 (61.9)	1.895 (48.1)	.271 (6.9)	1.70 (43.2)	N/A	Without
2	B	3.750 (95.3)	3.195 (81.2)	.277 (7.0)	3.00 (76.2)	N/A	
3	A	2.437 (61.9)	1.895 (48.1)	.271 (6.9)	1.70 (43.2)	10.375 (263.5)	With
4	B	3.750 (95.3)	3.195 (81.2)	.277 (7.0)	3.00 (76.2)	10.375 (263.5)	

Dimensions in inches (millimeters) and are subject to change without notice.