

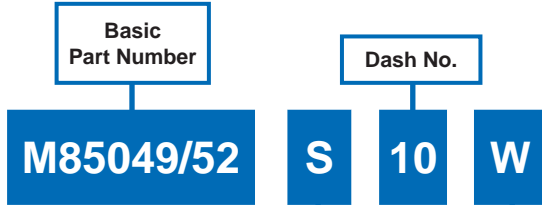
AS85049/52 and MS3417 Straight Strain Relief Self-Locking or Non-Self-Locking



AS85049

B

CONNECTOR DESIGNATOR:	
A	AS50151 Series AS34001 Crimp, MIL-DTL-26482 Series II, SAE-AS1703 Crimp Series III, MIL-DTL-83723 Series I & III



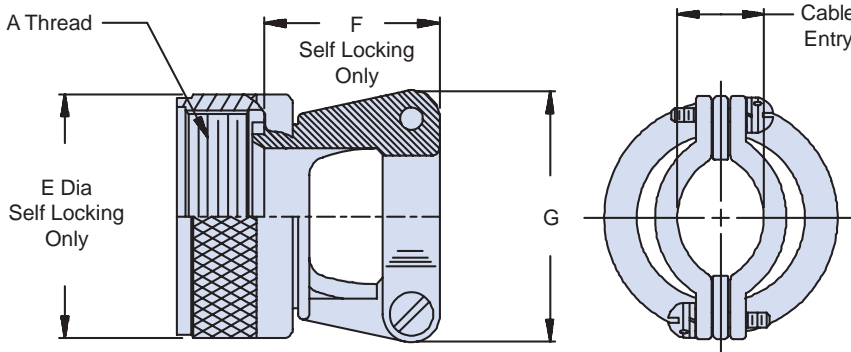
**FOR NEW DESIGN
USE AS85049/118**

Superseded Part Number		
MS3417-10 A		
Basic Part No. (Non-Self-Locking)	Dash No.	Metal and Finish Designator
		A = Aluminum 1000 Hour Cadmium Olive Drab over Electroless Nickel C = Aluminum, Cadmium Olive Drab G = Aluminum Black Anodize N = Aluminum, Electroless Nickel

S = Self-Locking
-1 = Non-Self-Locking
N = Non-Detented

Material and Finish Designator
A = Aluminum, Black Anodize
N = Aluminum, Electroless Nickel
S = Stainless Steel, Passivate
W = Aluminum, 1000 Hr. Cadmium O.D. over Electroless Nickel

- ### APPLICATION NOTES
1. Assembly to be identified with manufacturer's name and part number, space permitting.
 2. Cable Entry is defined as the accommodation entry for the wire bundle or cable.
 3. Dimensions are not intended for inspection criteria.
 4. For complete dimensions, see the applicable Military Specification.
 5. Metric dimensions (mm) are in parentheses.



Dash No.	A Thread Class 2B	Ø E Max		F Max		G Max	Cable Entry			
		Self-Locking		Self-Locking			Min	Max		
3*+	.562 - 24 UNEF	-	-	-	-	.782 (19.9)	.125 (3.2)	.204 (5.2)		
8	.500 - 20 UNF	.885 (22.5)		.73 (18.5)		.782 (19.9)	.125 (3.2)	.204 (5.2)		
10	.625 - 24 UNEF	1.010 (25.7)		.85 (21.6)		.862 (21.9)	.187 (4.7)	.286 (7.3)		
12	.750 - 20 UNEF	1.135 (28.8)		.98 (24.9)		1.003 (24.6)	.291 (7.4)	.416 (10.6)		
14	.875 - 20 UNEF	1.260 (32.0)		.98 (24.9)		1.061 (25.5)	.351 (8.9)	.476 (12.1)		
16	1.000 - 20 UNEF	1.385 (35.2)		1.10 (27.9)		1.234 (26.9)	.501 (12.7)	.626 (15.9)		
18	1.062 - 18 UNEF	1.510 (38.4)		1.35 (34.3)		1.466 (35.4)	.518 (13.2)	.706 (17.9)		
20	1.188 - 18 UNEF	1.635 (41.5)		1.98 (50.3)		1.572 (37.2)	.581 (14.8)	.831 (21.1)		
22	1.313 - 18 UNEF	1.760 (44.7)		2.73 (69.3)		1.688 (39.9)	.644 (16.4)	.956 (24.3)		
24	1.438 - 18 UNEF	1.885 (47.9)		2.88 (73.2)		1.790 (43.1)	.706 (17.9)	1.081 (27.5)		
28+	1.750 - 18 UNS	2.135 (54.2)		2.528 (64.2)		2.035 (45.5)	.750 (19.1)	1.187 (30.1)		
32+	2.000 - 18 UNS	2.395 (60.8)		2.591 (65.8)		2.386 (51.7)	.875 (22.2)	1.250 (31.8)		
36+	2.250 - 16 UN	2.635 (66.9)		2.13 (54.1)		2.446 (60.6)	.938 (23.8)	1.375 (34.9)		
40+	2.500 - 16 UN	2.885 (73.3)		2.44 (62.0)		2.566 (65.2)	.938 (23.8)	1.500 (38.1)		
44+	2.750 - 16 UN	3.135 (79.6)		3.00 (76.2)		2.860 (72.6)	1.188 (30.2)	1.750 (44.5)		
48+	3.000 - 16 UN	3.385 (86.0)		3.40 (86.4)		3.344 (84.9)	1.312 (33.3)	1.875 (47.6)		
61*+	1.500 - 18 UNEF	-	-	-	-	1.775 (45.1)	.706 (17.9)	1.081 (27.5)		

* Not Available in Self Locking + Not Available under M83723/15S

Dimensions in inches (millimeters) and are subject to change without notice.