

# M83723/59-1, M83723/60-1, MS27292 and MS27294 Threaded Protective Plug and Receptacle Covers



MIL-DTL-83723

## MATING CONNECTOR

MIL-DTL-83723, Series III Threaded

### Superseded Part Number

Basic Part Number  
MS27292 = Plug Cover  
MS27294 = Receptacle Cover

Dash Number

MS27292 - 1

See Note 3

### Basic Part Number

M83723/59-1 = Plug Cover  
M83723/60-1 = Receptacle Cover

Shell Size

M83723/59-1

10

### Attachment Style

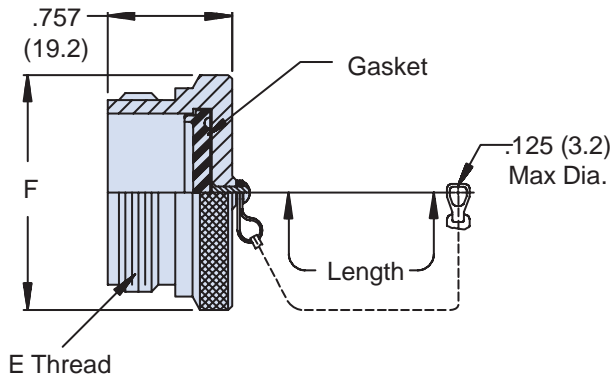
C = 5.0" (127.0) Chain  
P = 8.0" (203.2) Chain  
R = 5.0" (127.0) Rope  
T = 8.0" (203.2) Rope  
N = No Attachment

A

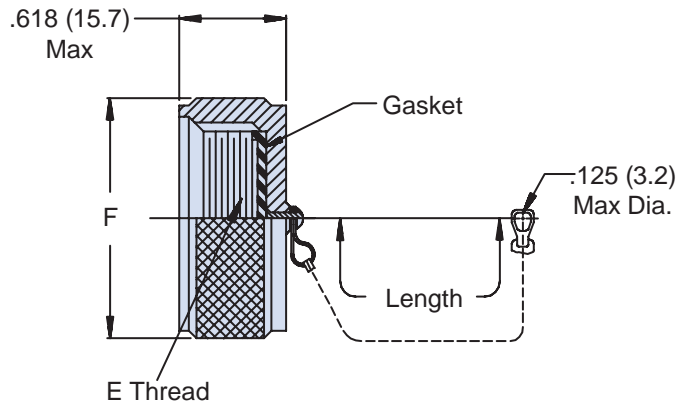
C

### Finish

A = Black Anodize  
R = Electroless Nickel  
W = Cadmium over Electroless Nickel



**M83723/59-1 PLUG COVER**  
**M27292 PLUG COVER (SEE NOTE 3)**



**M83723/60-1 RECEPTACLE COVER**  
**M27294 RECEPTACLE COVER (SEE NOTE 3)**

**TABLE I: Shell Size, Dash Number, Thread and Dimensions**

Shell Size	M27292 Dash No.	E Thread Class 2A/2B	K Dia Max
8	7	9/16- 24 UNEF	.776 (19.7)
10	1	11/16- 24 UNEF	.906 (23.0)
12	2	7/8- 20 UNEF	1.078 (27.4)
14	3	15/16- 20 UNEF	1.141 (29.0)
16	4	1 1/16- 18 UNEF	1.266 (32.2)
18	5	1 3/16- 18 UNEF	1.375 (34.9)
20	8	1 5/16- 18 UNEF	1.510 (38.4)
22	6	1 7/16- 18 UNEF	1.625 (41.3)
24	9	1 9/16- 18 UNEF	1.760 (44.7)

### APPLICATION NOTES

1. Assembly identified with manufacturer's name and part number, space permitting.
2. For complete dimensions, see the applicable Military Specification.
3. MS27292 and MS27294 have a black anodize finish. Dash numbers 1, 2 and 7 have a 3.0-inch (76.2) wire rope attachment. Other dash numbers have a 5-inch (127.0) wire rope attachment.
4. Metric dimensions (mm) are in parentheses.

Dimensions in inches (millimeters) and are subject to change without notice.

© 2013 Glenair, Inc.

U.S. CAGE Code 06324

Printed in U.S.A.

E