

M83723/61, MS27296 and MS27297 Dummy Storage Receptacle Threaded or Bayonet Coupling



MATING CONNECTOR
MIL-DTL-26500 and
MIL-DTL-83723, Series III

Basic Part No.
M83723/61-1 Threaded Coupling
M83723/61-2 Bayonet Coupling

Material and Finish
A = Black Anodize
R = Electroless Nickel
W = Cadmium Olive Drab
over Electroless Nickel

M83723/61-1 **18** **A**
Shell Size

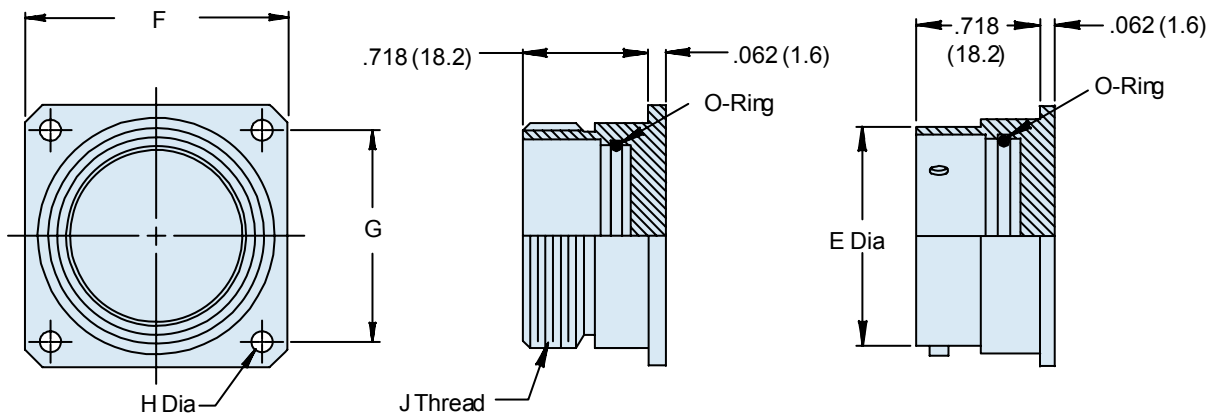


TABLE I: Dash Number, Cable Entry and Backshell Dimensions

M83723 Shell Size	MS27296 MS27297 Dash No. Ref	Ø E Max		F Dim		G Dim		Ø H Max		J Thread
8	7	.561	(14.2)	.812	(20.6)	.594	(15.1)	.125	(3.2)	9/16 - 24 UNEF
10	1	.696	(17.7)	.937	(23.8)	.719	(18.3)	.125	(3.2)	11/16 - 24 UNEF
12	2	.875	(22.2)	1.031	(26.2)	.812	(20.6)	.125	(3.2)	7/8 - 20 UNEF
14	3	.935	(23.7)	1.125	(28.6)	.906	(23.0)	.125	(3.2)	15/16 - 20 UNEF
16	4	1.062	(27.0)	1.250	(31.8)	.969	(24.6)	.125	(3.2)	1 1/16 - 18 UNEF
18	5	1.187	(30.1)	1.343	(34.1)	1.062	(27.0)	.125	(3.2)	1 3/16 - 18 UNEF
20	8	1.312	(33.3)	1.437	(36.5)	1.156	(29.4)	.125	(3.2)	1 5/16 - 18 UNEF
22	6	1.437	(36.5)	1.562	(39.7)	1.250	(31.8)	.125	(3.2)	1 7/16 - 18 UNEF
24	9	1.562	(39.7)	1.703	(43.3)	1.375	(34.9)	.154	(3.9)	1 9/16 - 18 UNEF

- APPLICATION NOTES**
1. Assembly to be identified with manufacturer's name and part number, space permitting.
 2. For complete dimensions, see the applicable Military Specification.
 3. Metric dimensions (mm) are in parentheses.