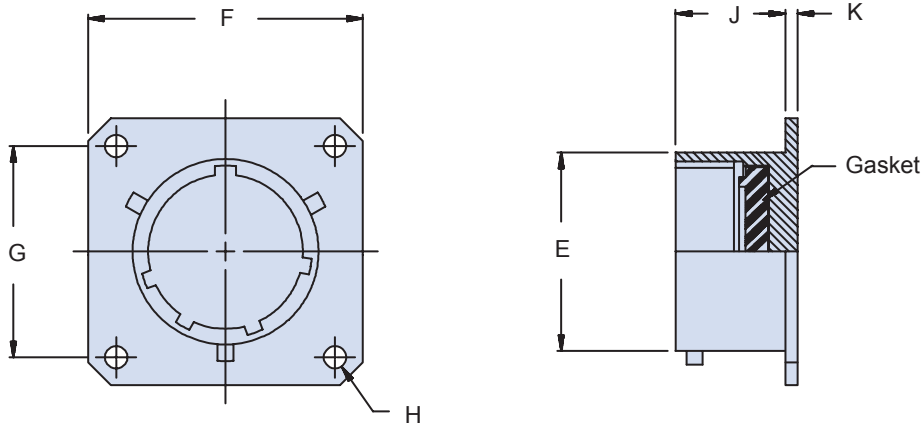
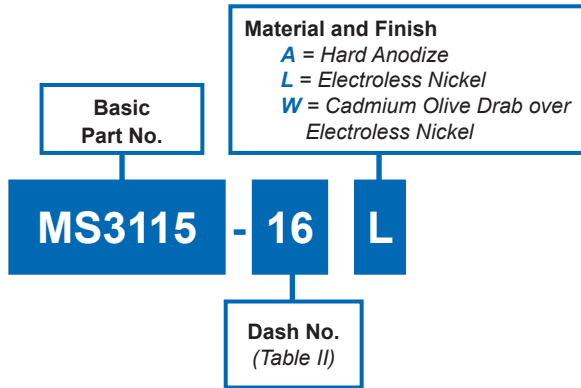


# MS3115 Dummy Storage Receptacle Bayonet Coupling



|                         |
|-------------------------|
| <b>MATING CONNECTOR</b> |
| MIL-DTL-26482           |



**TABLE I: Dash Number, Cable Entry and Backshell Dimensions**

| Shell Size | E     |        | F     |        | G     |        | Ø H   |       | J     |        | K    |       |
|------------|-------|--------|-------|--------|-------|--------|-------|-------|-------|--------|------|-------|
|            | ±.003 | (.1)   | Max   | Dim    | ±.005 | (0.1)  | ±.016 | (.4)  | ±.016 | (.4)   |      |       |
| 8          | .471  | (12.0) | .828  | (21.0) | .594  | (15.1) | .120  | (3.0) | .478  | (12.1) | .062 | (1.6) |
| 10         | .588  | (14.9) | .954  | (24.2) | .719  | (18.3) | .120  | (3.0) | .478  | (12.1) | .062 | (1.6) |
| 12         | .748  | (19.0) | 1.047 | (26.6) | .812  | (20.6) | .120  | (3.0) | .478  | (12.1) | .062 | (1.6) |
| 14         | .873  | (22.2) | 1.141 | (29.0) | .906  | (23.0) | .120  | (3.0) | .478  | (12.1) | .062 | (1.6) |
| 16         | .998  | (25.3) | 1.234 | (31.3) | .969  | (24.6) | .120  | (3.0) | .478  | (12.1) | .062 | (1.6) |
| 18         | 1.123 | (28.5) | 1.328 | (33.7) | 1.062 | (27.0) | .120  | (3.0) | .478  | (12.1) | .062 | (1.6) |
| 20         | 1.248 | (31.7) | 1.453 | (36.9) | 1.156 | (29.4) | .120  | (3.0) | .572  | (14.5) | .094 | (2.4) |
| 22         | 1.373 | (34.9) | 1.578 | (40.1) | 1.250 | (31.8) | .120  | (3.0) | .572  | (14.5) | .094 | (2.4) |
| 24         | 1.498 | (38.0) | 1.703 | (43.3) | 1.375 | (34.9) | .147  | (3.7) | .605  | (15.4) | .094 | (2.4) |

### APPLICATION NOTES

1. Assembly to be identified with manufacturer's name and part number, space permitting.
2. For complete dimensions, see the applicable Military Specification.
3. Metric dimensions (mm) are in parentheses.

Dimensions in inches (millimeters) and are subject to change without notice.