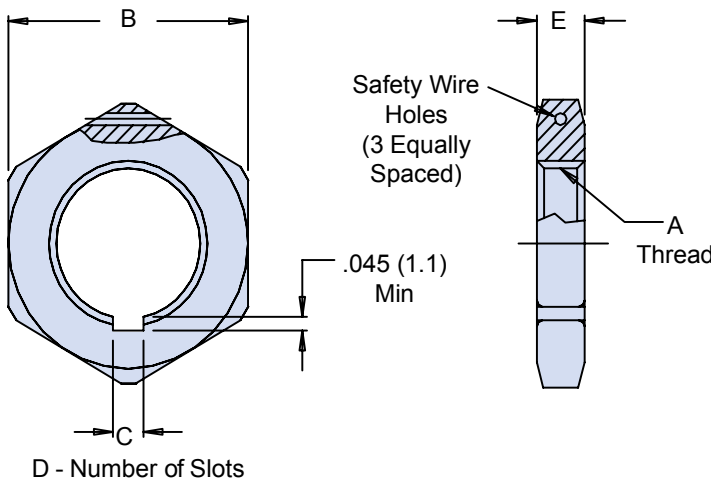


MS3186 Jam Nut with Safety Wire Holes



Basic Part Number	Material A = Aluminum S = Steel C = CRES	Dash No.
MS3186	A	113
		B

Finish

- A = Black Anodize (Material 'A' only)
- B = Black Cadmium over Corrosion Resistant Steel (Material 'C' only)
- C = Clear Cadmium (Material 'A' only)
- E = Electrodeposited Nickel
- N = Electroless Nickel (Space Use Only)
- P = Passivated (Material 'C' only)
- T = Tin Plate (Material 'S' only)
- W = 1,000 Hour Cadmium Olive Drab over Electroless Nickel

TABLE I: Reference for Connector Shell Size

Dash No.	AS50151	MIL-DTL-26482	MIL-DTL-26500	MIL-DTL-83723 I	MIL-DTL-83723 III	MIL-DTL-38999 I	MIL-DTL-38999 II	MIL-DTL-28840	MIL-DTL-27599
101	8S	--	--	--	--	--	--	--	--
102	--	8	--	8	--	--	--	--	--
103	10S, 10SL	--	--	--	--	--	--	--	--
104	--	--	8	--	--	--	--	--	--
105	--	--	--	--	8	--	--	--	--
106	--	10	--	10	--	9	--	--	9
107	12S, 12	--	10	--	10	--	--	--	--
108	--	--	--	--	--	11	--	--	11
109	14S, 14	12	--	12	--	--	8	11	8
110	--	--	12	--	12	--	--	--	--
111	16S, 16	14	14	14	14	13	10	13	10, 13
112	--	--	16	--	16 Bay	--	--	--	--
113	18	16	--	16	16 Thd	15	12	--	12, 15
114	--	--	--	--	--	--	--	15	--
115	--	--	18	--	--	--	--	--	14, 17
116	20	18	--	18	18	17	14	17	--
117	22	20	20	20	20	19	16	--	16, 19
118	--	--	--	--	--	--	--	19	--
119	--	--	22	--	--	--	--	--	--
120	24	22	--	22	22	21	18	--	18, 21
121	--	24	24	24	24	23	20	23	20, 23
122	28	--	--	--	--	25	22	25	22, 25
123	--	--	--	--	--	--	24	--	24
124	--	--	--	--	--	--	--	29	--
125	32	--	--	--	--	--	--	--	--
126	--	--	--	--	--	--	--	33	--
127	36	--	--	--	--	--	--	--	--
128	40	--	--	--	--	--	--	--	--
129	44	--	--	--	--	--	--	--	--
130	48	--	--	--	--	--	--	--	--

Dimensions in inches (millimeters) and are subject to change without notice.



MS3186 Jam Nut with Safety Wire Holes

TABLE I: Reference for Connector Shell Size

Dash No.	A Thread	B		C		D Min. No. of Slots	Ø E	
		±.017	(.4)	Max			±.017	(.4)
101	.500 -28 UNEF-2B	.687	(17.4)	None		None	.125	(3.2)
102	.5625 - 24 UNEF-2B	.750	(19.1)	.135	(3.4)	2	.125	(3.2)
103	.625 - 24 UNEF-2B	.812	(20.6)	None		None	.125	(3.2)
104	.625 - 20 UN-2B	.812	(20.6)	.135	(3.4)	2	.125	(3.2)
105	.625 - 20 UN-2B	.812	(20.6)	None		2	.125	(3.2)
106	.6875 - 24 UNEF-2B	.875	(22.2)	.135	(3.4)	1	.125	(3.2)
107	.750 - 20 UNEF-2B	.937	(23.8)	None		2	.125	(3.2)
108	.8125 - 20 UNEF-2B	1.000	(25.4)	.135	(3.4)	1	.125	(3.2)
109	.875 - 20 UNEF-2B	1.062	(27.0)	.135	(3.4)	1	.125	(3.2)
110	.9375 - 20 UNEF-2B	1.123	(28.5)	None		1	.125	(3.2)
111	1.000 - 20 UNEF-2B	1.188	(30.2)	.135	(3.4)	1	.125	(3.2)
112	1.125 - 20 UN-2B	1.312	(33.3)	.135	(3.4)	1	.125	(3.2)
113	1.125 - 18 UNEF-2B	1.312	(33.3)	.135	(3.4)	1	.125	(3.2)
114	1.1875 - 18 UNEF-2B	1.375	(34.9)	None		None	.125	(3.2)
115	1.250 - 20 UN-2B	1.438	(36.5)	None		None	.125	(3.2)
116	1.250 - 18 UNEF-2B	1.438	(36.5)	.135	(3.4)	1	.125	(3.2)
117	1.375 - 18 UNEF-2B	1.562	(39.7)	.192	(4.9)	1	.125	(3.2)
118	1.4375 - 18 UNEF-2B	1.625	(41.3)	None		None	.125	(3.2)
119	1.500 - 20 UN-2B	1.688	(42.9)	None		None	.125	(3.2)
120	1.500 - 18 UNEF-2B	1.688	(42.9)	.192	(4.9)	1	.125	(3.2)
121	1.625 - 18 UNEF-2B	1.812	(46.0)	.192	(4.9)	1	.125	(3.2)
122	1.750 - 18 UNS-2B	2.000	(50.8)	.192	(4.9)	1	.125	(3.2)
123	1.875 - 16 UN-2B	2.125	(54.0)	None		None	.125	(3.2)
124	1.9375 - 16 UN-2B	2.187	(55.5)	None		None	.189	(4.8)
125	2.000 - 18 UNS-2B	2.250	(57.2)	None		None	.189	(4.8)
126	2.125 - 16 UN-2B	2.375	(60.3)	None		None	.189	(4.8)
127	2.250 - 16 UN-2B	2.500	(63.5)	None		None	.189	(4.8)
128	2.500 - 16 UN-2B	2.750	(69.9)	None		None	.189	(4.8)
129	2.750 - 16 UN-2B	3.000	(76.2)	None		None	.189	(4.8)
130	3.000 - 16 UN-2B	3.250	(82.6)	None		None	.189	(4.8)

APPLICATION NOTES

1. Assembly identified with manufacturer's name and part number, space permitting.
2. For complete dimensions, see the applicable Military Specification.
3. Metric dimensions (mm) are in parentheses.

Dimensions in inches (millimeters) and are subject to change without notice.