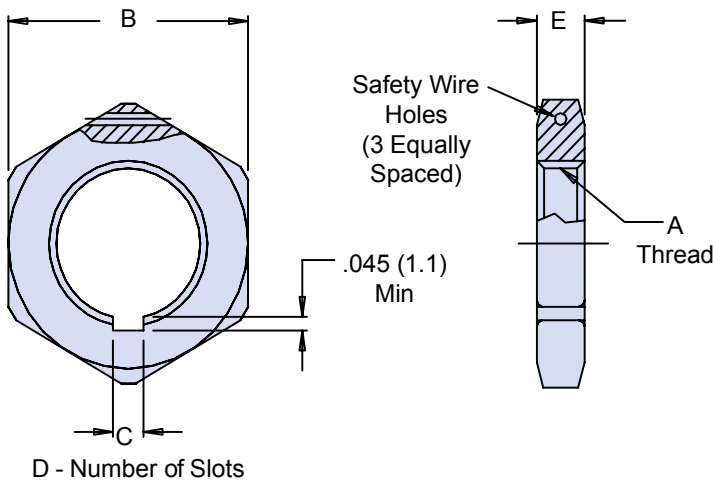


MS3186 Jam Nut with Safety Wire Holes



| | | |
|--------------------------|--|-----------------|
| Basic Part Number | Material A = Aluminum S = Steel C = CRES | Dash No. |
| MS3186 | A | - 113 |
| | | B |

Finish

- A = Black Anodize (Material 'A' only)
- B = Black Cadmium over Corrosion Resistant Steel (Material 'C' only)
- C = Clear Cadmium (Material 'A' only)
- E = Electrodeposited Nickel
- N = Electroless Nickel (Space Use Only)
- P = Passivated (Material 'C' only)
- T = Tin Plate (Material 'S' only)
- W = 1,000 Hour Cadmium Olive Drab over Electroless Nickel

TABLE I: Reference for Connector Shell Size

| Dash No. | AS50151 | MIL-DTL-26482 | MIL-DTL-26500 | MIL-DTL-83723 I | MIL-DTL-83723 III | MIL-DTL-38999 I | MIL-DTL-38999 II | MIL-DTL-28840 | MIL-DTL-27599 |
|----------|-----------|---------------|---------------|-----------------|-------------------|-----------------|------------------|---------------|---------------|
| 101 | 8S | -- | -- | -- | -- | -- | -- | -- | -- |
| 102 | -- | 8 | -- | 8 | -- | -- | -- | -- | -- |
| 103 | 10S, 10SL | -- | -- | -- | -- | -- | -- | -- | -- |
| 104 | -- | -- | 8 | -- | -- | -- | -- | -- | -- |
| 105 | -- | -- | -- | -- | 8 | -- | -- | -- | -- |
| 106 | -- | 10 | -- | 10 | -- | 9 | -- | -- | 9 |
| 107 | 12S, 12 | -- | 10 | -- | 10 | -- | -- | -- | -- |
| 108 | -- | -- | -- | -- | -- | 11 | -- | -- | 11 |
| 109 | 14S, 14 | 12 | -- | 12 | -- | -- | 8 | 11 | 8 |
| 110 | -- | -- | 12 | -- | 12 | -- | -- | -- | -- |
| 111 | 16S, 16 | 14 | 14 | 14 | 14 | 13 | 10 | 13 | 10, 13 |
| 112 | -- | -- | 16 | -- | 16 Bay | -- | -- | -- | -- |
| 113 | 18 | 16 | -- | 16 | 16 Thd | 15 | 12 | -- | 12, 15 |
| 114 | -- | -- | -- | -- | -- | -- | -- | 15 | -- |
| 115 | -- | -- | 18 | -- | -- | -- | -- | -- | 14, 17 |
| 116 | 20 | 18 | -- | 18 | 18 | 17 | 14 | 17 | -- |
| 117 | 22 | 20 | 20 | 20 | 20 | 19 | 16 | -- | 16, 19 |
| 118 | -- | -- | -- | -- | -- | -- | -- | 19 | -- |
| 119 | -- | -- | 22 | -- | -- | -- | -- | -- | -- |
| 120 | 24 | 22 | -- | 22 | 22 | 21 | 18 | -- | 18, 21 |
| 121 | -- | 24 | 24 | 24 | 24 | 23 | 20 | 23 | 20, 23 |
| 122 | 28 | -- | -- | -- | -- | 25 | 22 | 25 | 22, 25 |
| 123 | -- | -- | -- | -- | -- | -- | 24 | -- | 24 |
| 124 | -- | -- | -- | -- | -- | -- | -- | 29 | -- |
| 125 | 32 | -- | -- | -- | -- | -- | -- | -- | -- |
| 126 | -- | -- | -- | -- | -- | -- | -- | 33 | -- |
| 127 | 36 | -- | -- | -- | -- | -- | -- | -- | -- |
| 128 | 40 | -- | -- | -- | -- | -- | -- | -- | -- |
| 129 | 44 | -- | -- | -- | -- | -- | -- | -- | -- |
| 130 | 48 | -- | -- | -- | -- | -- | -- | -- | -- |

Dimensions in inches (millimeters) and are subject to change without notice.



MS3186 Jam Nut with Safety Wire Holes

TABLE I: Reference for Connector Shell Size

| Dash No. | A Thread | B | | C | | D Min. No. of Slots | Ø E | |
|----------|---------------------|-------|--------|------|-------|---------------------|-------|-------|
| | | ±.017 | (.4) | Max | | | ±.017 | (.4) |
| 101 | .500 -28 UNEF-2B | .687 | (17.4) | None | | None | .125 | (3.2) |
| 102 | .5625 - 24 UNEF-2B | .750 | (19.1) | .135 | (3.4) | 2 | .125 | (3.2) |
| 103 | .625 - 24 UNEF-2B | .812 | (20.6) | None | | None | .125 | (3.2) |
| 104 | .625 - 20 UN-2B | .812 | (20.6) | .135 | (3.4) | 2 | .125 | (3.2) |
| 105 | .625 - 20 UN-2B | .812 | (20.6) | None | | 2 | .125 | (3.2) |
| 106 | .6875 - 24 UNEF-2B | .875 | (22.2) | .135 | (3.4) | 1 | .125 | (3.2) |
| 107 | .750 - 20 UNEF-2B | .937 | (23.8) | None | | 2 | .125 | (3.2) |
| 108 | .8125 - 20 UNEF-2B | 1.000 | (25.4) | .135 | (3.4) | 1 | .125 | (3.2) |
| 109 | .875 - 20 UNEF-2B | 1.062 | (27.0) | .135 | (3.4) | 1 | .125 | (3.2) |
| 110 | .9375 - 20 UNEF-2B | 1.123 | (28.5) | None | | 1 | .125 | (3.2) |
| 111 | 1.000 - 20 UNEF-2B | 1.188 | (30.2) | .135 | (3.4) | 1 | .125 | (3.2) |
| 112 | 1.125 - 20 UN-2B | 1.312 | (33.3) | .135 | (3.4) | 1 | .125 | (3.2) |
| 113 | 1.125 - 18 UNEF-2B | 1.312 | (33.3) | .135 | (3.4) | 1 | .125 | (3.2) |
| 114 | 1.1875 - 18 UNEF-2B | 1.375 | (34.9) | None | | None | .125 | (3.2) |
| 115 | 1.250 - 20 UN-2B | 1.438 | (36.5) | None | | None | .125 | (3.2) |
| 116 | 1.250 - 18 UNEF-2B | 1.438 | (36.5) | .135 | (3.4) | 1 | .125 | (3.2) |
| 117 | 1.375 - 18 UNEF-2B | 1.562 | (39.7) | .192 | (4.9) | 1 | .125 | (3.2) |
| 118 | 1.4375 - 18 UNEF-2B | 1.625 | (41.3) | None | | None | .125 | (3.2) |
| 119 | 1.500 - 20 UN-2B | 1.688 | (42.9) | None | | None | .125 | (3.2) |
| 120 | 1.500 - 18 UNEF-2B | 1.688 | (42.9) | .192 | (4.9) | 1 | .125 | (3.2) |
| 121 | 1.625 - 18 UNEF-2B | 1.812 | (46.0) | .192 | (4.9) | 1 | .125 | (3.2) |
| 122 | 1.750 - 18 UNS-2B | 2.000 | (50.8) | .192 | (4.9) | 1 | .125 | (3.2) |
| 123 | 1.875 - 16 UN-2B | 2.125 | (54.0) | None | | None | .125 | (3.2) |
| 124 | 1.9375 - 16 UN-2B | 2.187 | (55.5) | None | | None | .189 | (4.8) |
| 125 | 2.000 - 18 UNS-2B | 2.250 | (57.2) | None | | None | .189 | (4.8) |
| 126 | 2.125 - 16 UN-2B | 2.375 | (60.3) | None | | None | .189 | (4.8) |
| 127 | 2.250 - 16 UN-2B | 2.500 | (63.5) | None | | None | .189 | (4.8) |
| 128 | 2.500 - 16 UN-2B | 2.750 | (69.9) | None | | None | .189 | (4.8) |
| 129 | 2.750 - 16 UN-2B | 3.000 | (76.2) | None | | None | .189 | (4.8) |
| 130 | 3.000 - 16 UN-2B | 3.250 | (82.6) | None | | None | .189 | (4.8) |

APPLICATION NOTES

1. Assembly identified with manufacturer's name and part number, space permitting.
2. For complete dimensions, see the applicable Military Specification.
3. Metric dimensions (mm) are in parentheses.

Dimensions in inches (millimeters) and are subject to change without notice.