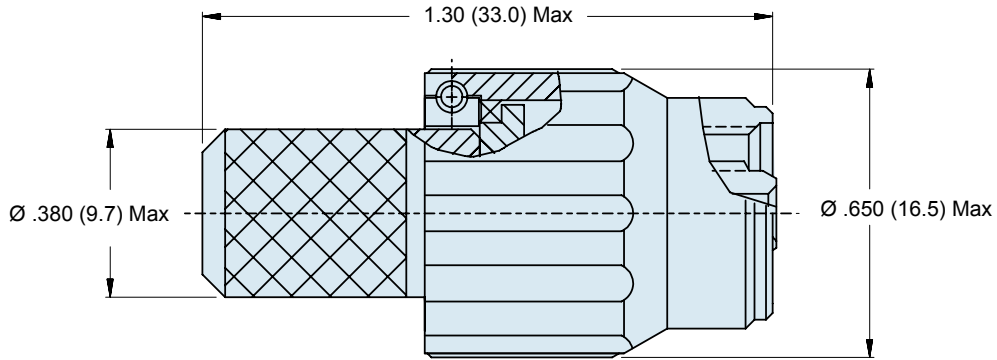
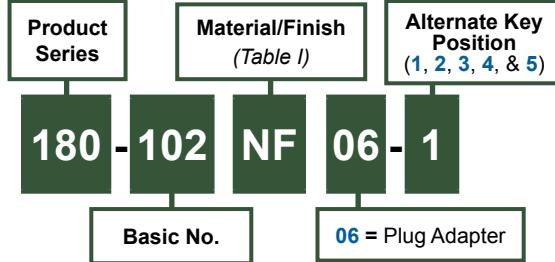




# 180-102 (06) Fiber Optic Probe Adapter, Plug

**Fiber optic plug probe adapter for use with 180-071 connectors**

**How To Order**



**06 Plug Adapter**  
U.S. PATENT NO. 5,960,137

**Table I: Finish**

Code	Material	Finish
C	Aluminum	Anodize, Black
M	Alloy	Electroless Nickel
NF	Aluminum	Cadmium, Olive Drab

**Material and Finish**

Barrel, Coupling Nut, Rear body: See Table I  
Retaining Clips: Copper Alloy  
Misc. Hardware: Stainless Steel/Passivate  
O-Ring: Fluorosilicone

**Notes**

For fiber optic test probe jumper, see Glenair drawing ABC54705