

#### HIPER-D PROTECTIVE COVERS



Aluminum or stainless steel protective covers fit Glenair Series 28 HiPer-D connectors and MIL-DTL-24308 connectors. Cover for pin connector fits inside connector shell and seats on connector face seal for watertight protection. Cover for socket connector fits over connector shell and has rubber gasket. Attach to panel with optional stainless steel lanyard and ring terminal.

Protective Cover Types		
Pin Cover	Socket Cover	Socket Cover w/ EMI Spring
<b>Fig. 1</b> Cover for use with HiPer-D pin connectors. Part number 289-003.	<b>Fig. 2</b> Cover for use with HiPer-D socket connectors. Supplied without EMI spring. Fluorosilicone rubber gasket. Part number 289-019.	<b>Fig. 3</b> Cover for use with HiPer-D socket connectors. Supplied with EMI spring. Fluorosilicone rubber gasket. Part number 289-004.

**Hardware Options**

**Fig. 4**  
**Female Jackposts (P)**  
#4-40 Thread  
Stainless Steel

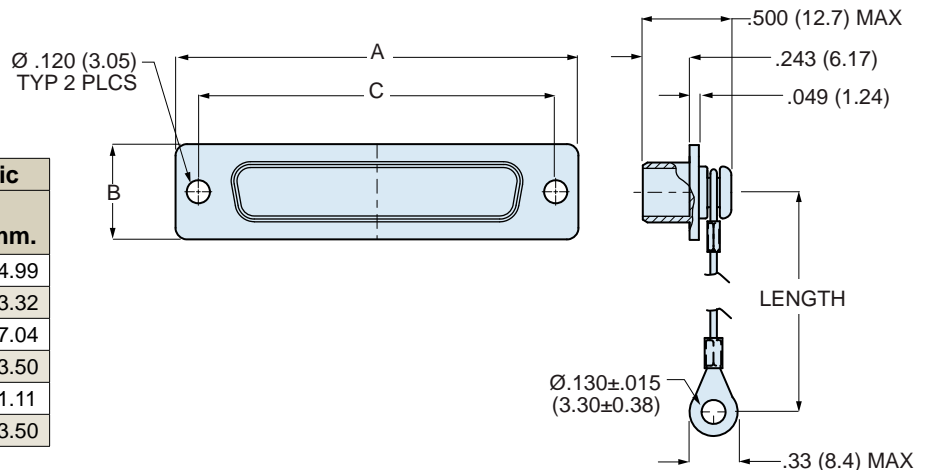
**Fig. 5**  
**Male Screwlocks (S)**  
#4-40 Thread  
Stainless Steel

Ordering Information						
<b>Sample Part Number</b>	<b>289-003</b>	<b>2</b>	<b>Z2</b>	<b>P</b>	<b>F</b>	<b>4</b>
<b>Basic Part Number</b>	289-003 = Pin Connector Cover (Fig. 1) 289-019 = Socket Connector Cover (Fig. 2) 289-004 = Socket Connector Cover w/ EMI Spring (Fig. 3)					
<b>Shell Size</b>	1 = Shell Size 1 2 = Shell Size 2 3 = Shell Size 3 4 = Shell Size 4 5 = Shell Size 5 6 = Shell Size 6					
<b>Finish</b>	ME = Electroless Nickel (RoHS) MT = Nickel-PTFE (RoHS) JF = Cadmium with Yellow Chromate Z2 = Gold (RoHS) Z1 = Passivated Stainless Steel (RoHS)					
<b>Hardware</b>	N = No Hardware P = #4-40 Stainless Steel Jackposts (Fig. 4) S = Captive SST Hex Head Male Screwlocks (Fig. 5)					
<b>Lanyard Type</b>	N = No Attachment F = Nylon-Coated SST Lanyard w/ Ring Terminal H = Teflon®-Coated SST Lanyard w/ Ring Terminal					
<b>Lanyard Length</b>	(Omit for No Attachment) Length in Inches					

E

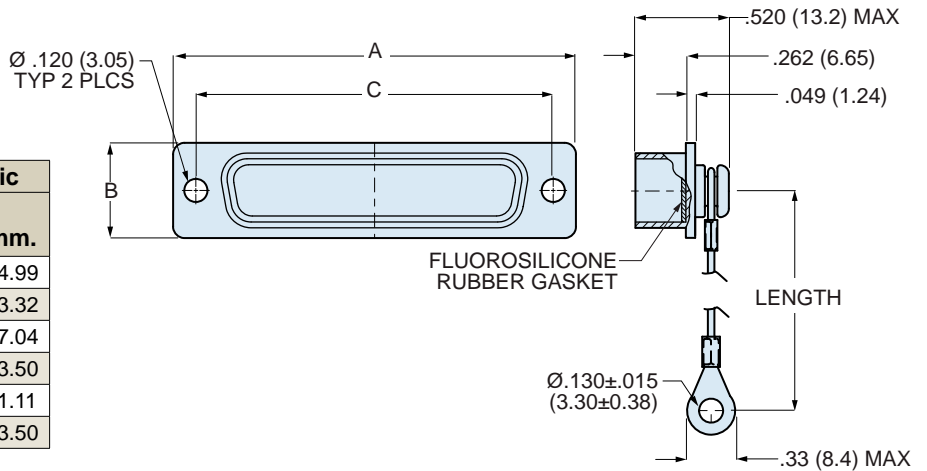
#### 289-003 DIMENSIONS

Shell Size	A		B		C Basic	
	In .	mm.	In .	mm.	In .	mm.
1	1.213	30.81	.494	12.55	.984	24.99
2	1.541	39.14	.494	12.55	1.312	33.32
3	2.088	53.04	.494	12.55	1.852	47.04
4	2.729	69.32	.494	12.55	2.500	63.50
5	2.635	66.93	.605	15.37	2.406	61.11
6	2.729	69.32	.668	16.97	2.500	63.50



#### 289-019 DIMENSIONS

Shell Size	A		B		C Basic	
	In .	mm.	In .	mm.	In .	mm.
1	1.213	30.81	.494	12.55	.984	24.99
2	1.541	39.14	.494	12.55	1.312	33.32
3	2.088	53.04	.494	12.55	1.852	47.04
4	2.729	69.32	.494	12.55	2.500	63.50
5	2.635	66.93	.605	15.37	2.406	61.11
6	2.729	69.32	.668	16.97	2.500	63.50



#### 289-004 DIMENSIONS

Shell Size	A		B		C Basic	
	In .	mm.	In .	mm.	In .	mm.
1	1.213	30.81	.494	12.55	.984	24.99
2	1.541	39.14	.494	12.55	1.312	33.32
3	2.088	53.04	.494	12.55	1.852	47.04
4	2.729	69.32	.494	12.55	2.500	63.50
5	2.635	66.93	.605	15.37	2.406	61.11
6	2.729	69.32	.668	16.97	2.500	63.50

