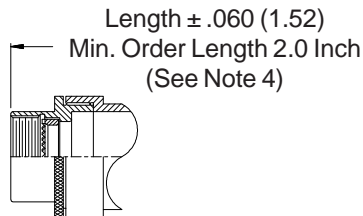


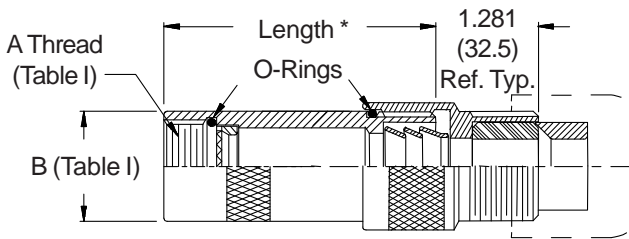
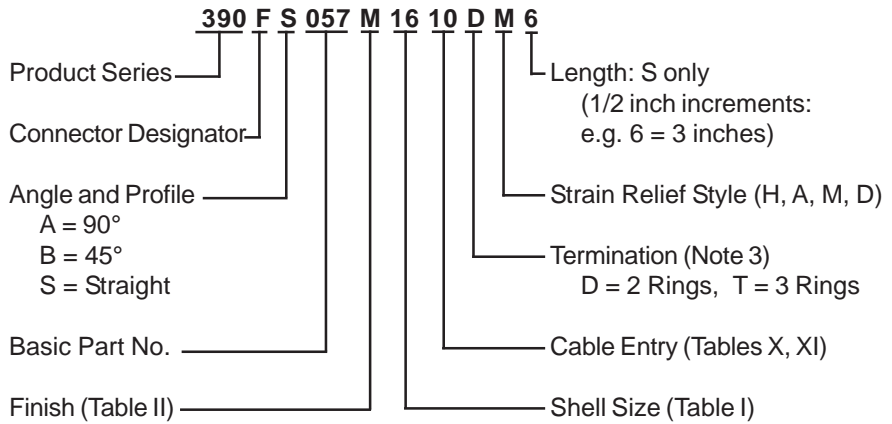
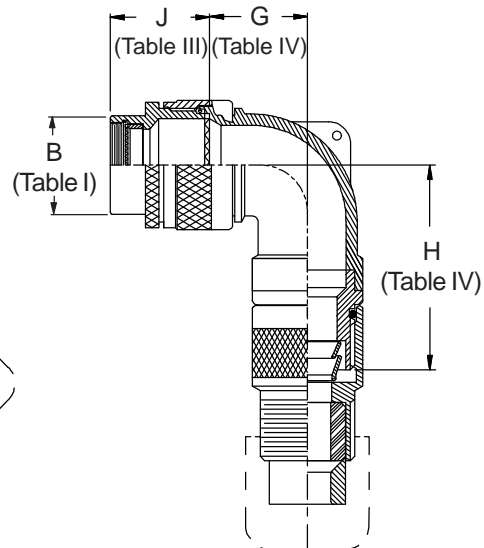
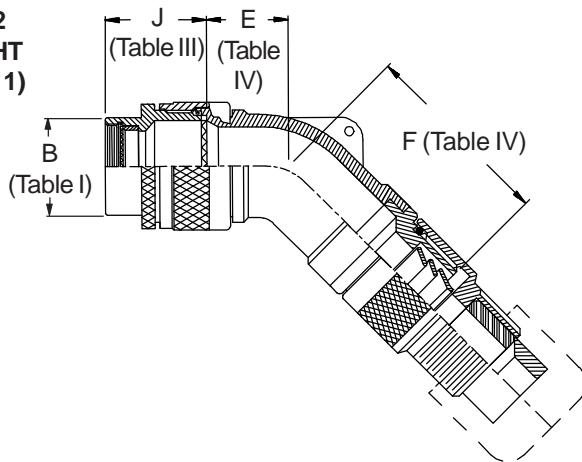
**CONNECTOR
 DESIGNATORS**
A-B*-C-D-E-F
G-H-J-K-L-S

* Conn. Desig. B See Note 5
DIRECT COUPLING

**TYPE E INDIVIDUAL
 AND/OR OVERALL
 SHIELD TERMINATION**

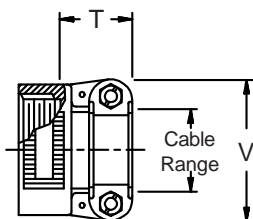


STYLE 2
 (STRAIGHT)
 See Note 1)

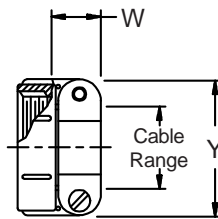


* Length $\pm .060$ (1.52)
 Minimum Order Length 1.5 Inch
 (See Note 4)

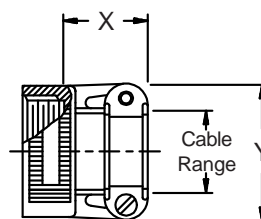
STYLE H
 Heavy Duty
 (Table X)



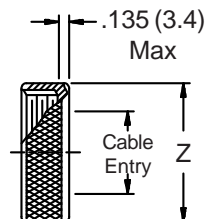
STYLE A
 Medium Duty
 (Table XI)



STYLE M
 Medium Duty
 (Table XI)



STYLE D
 Medium Duty
 (Table XI)



390-057
Submersible EMI/RFI Cable Sealing Backshell
with Strain Relief
Type E - Direct Coupling - Low Profile



See inside back cover fold-out or pages 13 and 14 for Tables I and II.

TABLE III: FRONT ADAPTER			
Shell Size	J Max - Conn. Designator		
	A-E-F		
	J-H-L-S	D-B-G-K	C
08/09	1.180 (30.0)	1.440 (36.6)	
10/11	1.180 (30.0)	1.440 (36.6)	
12/13	1.180 (30.0)	1.440 (36.6)	1.735 (44.1)
14/15	1.180 (30.0)	1.440 (36.6)	1.915 (48.6)
16/17	1.380 (35.0)	1.560 (39.6)	1.915 (48.6)
18/19	1.380 (35.0)	1.560 (39.6)	1.915 (48.6)
20/21	1.380 (35.0)	1.560 (39.6)	1.915 (48.6)
22/23	1.380 (35.0)	1.560 (39.6)	1.915 (48.6)
24/25	1.380 (35.0)	1.560 (39.6)	1.915 (48.6)
28/29	1.610 (40.9)	1.560 (39.6)	1.915 (48.6)
32/33	1.610 (40.9)	1.750 (44.5)	1.915 (48.6)
36	1.610 (40.9)	1.750 (44.5)	1.915 (48.6)
40	1.610 (40.9)	2.190 (55.6)	1.915 (48.6)

TABLE IV: ELBOW DIMENSIONS								
Elbow Size	E		F		G		H	
	Max		Max		Max		Max	
03	.630	(16.0)	2.117	(53.8)	.636	(16.2)	2.067	(52.5)
04	.630	(16.0)	2.117	(35.8)	.636	(16.2)	2.067	(52.5)
06	.630	(16.0)	2.117	(35.8)	.710	(18.0)	2.187	(55.5)
08	.692	(17.6)	2.179	(55.3)	.731	(18.6)	2.207	(39.1)
10	.755	(19.2)	2.862	(72.7)	.825	(21.0)	2.867	(39.6)
12	.848	(21.5)	2.972	(75.5)	.988	(25.1)	2.957	(41.4)
16	1.036	(26.3)	3.159	(80.2)	1.087	(27.6)	3.132	(48.0)
20	1.130	(28.7)	3.368	(85.5)	1.325	(33.7)	3.303	(50.8)
24	1.255	(31.9)	3.408	(86.6)	1.337	(34.0)	3.453	(50.8)
28	1.317	(33.5)	3.553	(90.2)	1.827	(46.4)	3.703	(55.1)
32	1.348	(34.2)	3.646	(92.6)	2.027	(51.5)	3.753	(61.5)

TABLE X: CABLE ENTRY						
Dash No.	T		V		Cable Range	
	Max		Max		Min	Max
	04	.780	(19.8)	.957	(24.3)	.125
06	.780	(19.8)	1.145	(29.1)	.250	(6.4) .437 (11.1)
08	.780	(19.8)	1.332	(33.8)	.387	(9.8) .562 (14.3)
10	.780	(19.8)	1.332	(33.8)	.350	(8.9) .625 (15.9)
12	.811	(20.6)	1.551	(39.4)	.500	(12.7) .750 (19.1)
16	.905	(23.0)	1.770	(45.0)	.625	(15.9) .937 (23.8)
20	1.092	(27.7)	2.113	(53.7)	.875	(22.2) 1.250 (31.8)
24	1.124	(28.5)	2.363	(60.0)	1.000	(25.4) 1.375 (34.9)
28	1.399	(35.5)	2.770	(70.4)	1.250	(31.8) 1.625 (41.3)
32	1.399	(35.5)	3.020	(76.7)	1.437	(36.5) 1.875 (47.6)

- Metric dimensions (mm) are indicated in parentheses.
- Cable range is defined as the accommodations range for the wire bundle or cable. Dimensions shown are not intended for inspection criteria.
- Designate Symbol T for 3 ring termination of individual and overall braid. Designate D for standard 2 ring termination of individual or overall braid.
- Consult factory for shorter lengths on straight backshells.
- When using Connector Designator B refer to pages 18 and 19 for part number development.

TABLE XI: CABLE ENTRY										
Dash No.	W		X		Y		Z		Cable Range	
	Max		Max		Max		Max		Min **	Max
	03*	.437	(11.1)	.760	(19.3)	.843	(21.4)	.630	(16.0)	.156
04*	.437	(11.1)	.760	(19.3)	.906	(23.0)	.755	(19.2)	.188	(4.8) .312 (7.9)
06*	.500	(12.7)	.760	(19.3)	1.093	(27.8)	.942	(23.9)	.281	(7.1) .438 (11.1)
08	.563	(14.3)	.760	(19.3)	1.187	(30.1)	1.067	(27.1)	.387	(9.8) .562 (14.3)
10	.563	(14.3)	.760	(19.3)	1.281	(32.5)	1.192	(30.3)	.375	(9.5) .625 (15.9)
12	.563	(14.3)	.760	(19.3)	1.500	(38.1)	1.380	(35.1)	.438	(11.1) .750 (19.1)
16	.656	(16.7)	1.073	(27.3)	1.719	(43.7)	1.535	(39.0)	.625	(15.9) .938 (23.8)
20	.656	(16.7)	1.323	(33.6)	2.062	(52.4)	1.848	(46.9)	.875	(22.2) 1.250 (31.8)
24	.656	(16.7)	1.323	(33.6)	2.312	(58.7)	2.255	(57.3)	1.000	(25.4) 1.375 (34.9)
28	1.188	(30.2)	1.572	(39.9)	2.719	(69.1)	2.505	(63.6)	1.250	(31.8) 1.625 (41.3)
32*	1.187	(30.1)	1.572	(39.9)	2.969	(75.4)	2.755	(70.0)	1.437	(36.5) 1.875 (47.6)
40*	1.125	(28.6)	1.572	(39.9)	3.531	(89.7)	3.255	(82.7)	1.875	(47.6) 2.375 (60.3)

* Not available in Style M clamp.

** Not Applicable Style D