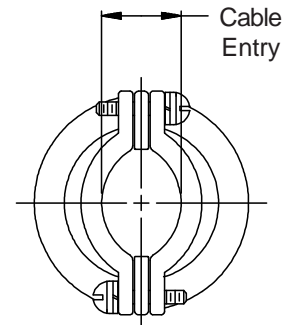
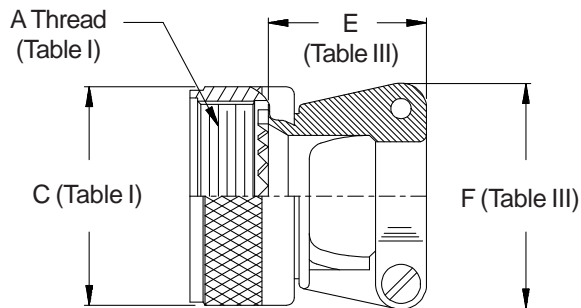
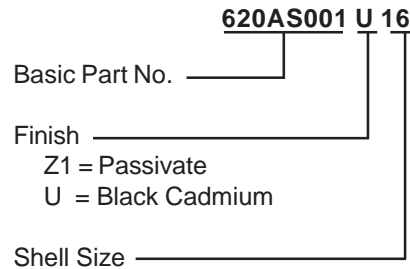


STAINLESS STEEL

CONNECTOR DESIGNATOR

A

ROTATABLE COUPLING



See inside back cover fold-out or page 14 for Table I.

| TABLE III: CABLE ENTRY | | | | | | |
|------------------------|--------------|--------------|-------------|--------------|------|--|
| Shell Size | E Nom | F Max | Cable Entry | | | |
| | | | Closed | | Open | |
| 08 | .555 (14.1) | .752 (19.1) | .125 (3.2) | .204 (5.2) | | |
| 10 | .665 (16.9) | .832 (21.1) | .187 (4.7) | .286 (7.3) | | |
| 12 | .790 (20.1) | .988 (25.1) | .291 (7.4) | .416 (10.6) | | |
| 14 | .790 (20.1) | 1.046 (26.6) | .351 (8.9) | .476 (12.1) | | |
| 16 | .915 (23.2) | 1.319 (33.5) | .501 (12.7) | .626 (15.9) | | |
| 18 | 1.165 (29.6) | 1.451 (36.9) | .518 (13.2) | .706 (17.9) | | |
| 20 | 1.290 (32.8) | 1.557 (39.5) | .581 (14.8) | .831 (21.1) | | |
| 22 | 1.415 (35.9) | 1.653 (42.0) | .644 (16.4) | .956 (24.3) | | |
| 24 | 1.540 (39.1) | 1.775 (45.1) | .706 (17.9) | 1.081 (27.5) | | |
| 28 | 1.690 (42.9) | 2.020 (51.3) | .750 (19.1) | 1.187 (30.1) | | |
| 32 | 1.890 (48.0) | 2.391 (60.7) | .875 (22.2) | 1.250 (31.8) | | |
| 36 | 2.270 (57.6) | 2.496 (63.4) | .938 (23.8) | 1.375 (34.9) | | |

1. Cable Entry is defined as the accommodation entry for the wire bundle or cable. Dimensions are not intended for inspection criteria.
2. Metric dimensions (mm) are indicated in parentheses.