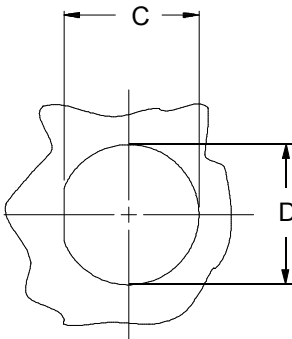
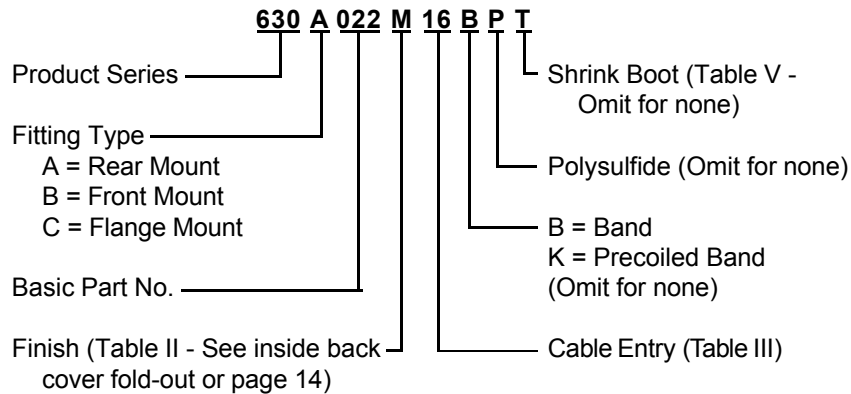
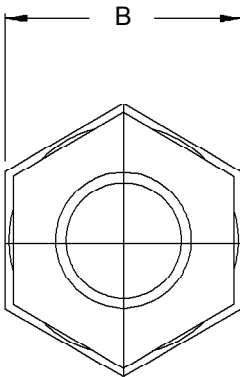
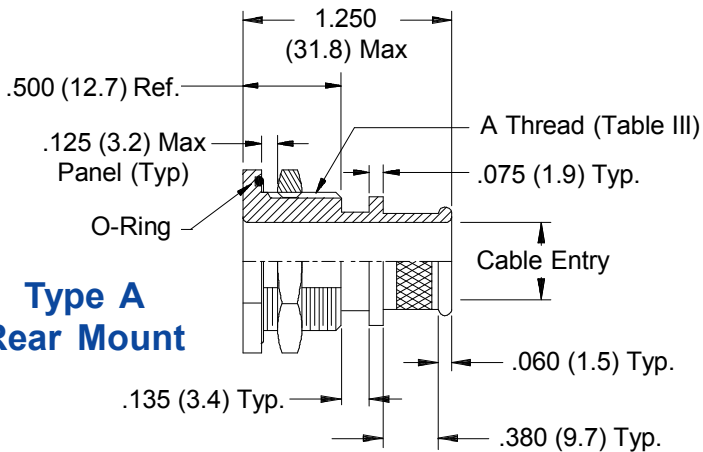
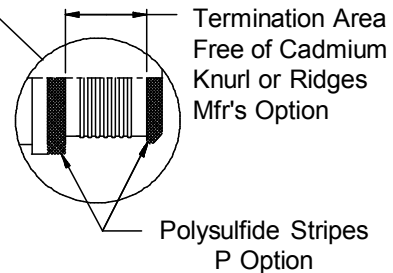
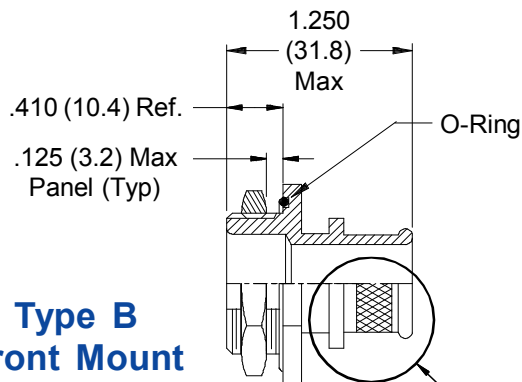


**Banding Porch
Shield
Termination**

**Type A
Rear Mount**

**Type B
Front Mount**


630-022
EMI/RFI Environmental Bulkhead Banding Adapter
 with Optional Shrink Boot
 Jam Nut and Panel Mount - Straight

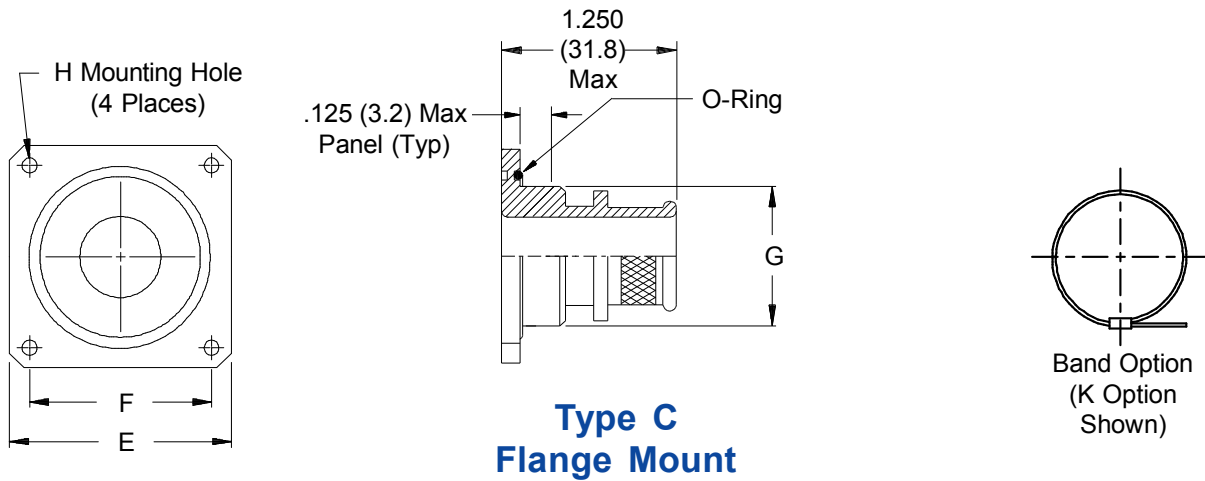


TABLE III: CABLE ENTRY

| Dash No. | Cable Entry Dia | A Thread Unified | B Dim | C Flat ± .010 (± .3) | D Dia ± .010 (± .3) | E Sq ± .031 (± .8) | F Dim. | G Dia + .005 (+ .1) - .015 (- .4) |
|----------|-----------------|------------------|--------------|----------------------|---------------------|--------------------|--------------|-----------------------------------|
| 03 | .188 (4.8) | 1/2 -28 | .688 (17.5) | .480 (12.2) | .515 (13.1) | .875 (22.2) | .594 (15.1) | .500 (12.7) |
| 04 | .250 (6.4) | 1/2 -28 | .688 (17.5) | .480 (12.2) | .515 (13.1) | .875 (22.2) | .594 (15.1) | .500 (12.7) |
| 05 | .313 (8.0) | 5/8 -24 | .813 (20.7) | .605 (15.4) | .640 (16.3) | 1.000 (25.4) | .719 (18.3) | .625 (15.9) |
| 06 | .375 (9.5) | 5/8 -24 | .813 (20.7) | .605 (15.4) | .640 (16.3) | 1.000 (25.4) | .719 (18.3) | .625 (15.9) |
| 07 | .438 (11.1) | 3/4 -20 | .938 (23.8) | .730 (18.5) | .765 (19.4) | 1.094 (27.8) | .812 (20.6) | .750 (19.1) |
| 08 | .500 (12.7) | 3/4 -20 | .938 (23.8) | .730 (18.5) | .765 (19.4) | 1.094 (27.8) | .812 (20.6) | .750 (19.1) |
| 09 | .563 (14.3) | 7/8 -20 | 1.063 (27.0) | .855 (21.7) | .890 (22.6) | 1.188 (30.2) | .906 (23.0) | .875 (22.2) |
| 10 | .625 (15.9) | 7/8 -20 | 1.063 (27.0) | .855 (21.7) | .890 (22.6) | 1.188 (30.2) | .906 (23.0) | .875 (22.2) |
| 11 | .688 (17.5) | 1 -20 | 1.188 (30.2) | .980 (24.9) | 1.015 (25.8) | 1.281 (32.5) | .969 (24.6) | 1.000 (25.4) |
| 12 | .750 (19.1) | 1 -20 | 1.188 (30.2) | .980 (24.9) | 1.015 (25.8) | 1.281 (32.5) | .969 (24.6) | 1.000 (25.4) |
| 13 | .813 (20.7) | 1 1/8 -18 | 1.313 (33.4) | 1.105 (28.1) | 1.140 (29.0) | 1.375 (34.9) | 1.062 (27.0) | 1.125 (28.6) |
| 14 | .875 (22.2) | 1 1/4 -18 | 1.438 (36.5) | 1.230 (31.2) | 1.265 (32.1) | 1.500 (38.1) | 1.156 (29.4) | 1.250 (31.8) |
| 15 | .938 (23.8) | 1 1/4 -18 | 1.438 (36.5) | 1.230 (31.2) | 1.265 (32.1) | 1.500 (38.1) | 1.156 (29.4) | 1.250 (31.8) |
| 16 | 1.000 (25.4) | 1 3/8 -18 | 1.563 (39.7) | 1.355 (34.4) | 1.390 (35.3) | 1.625 (41.3) | 1.250 (31.8) | 1.375 (34.9) |
| 17 | 1.063 (27.0) | 1 3/8 -18 | 1.563 (39.7) | 1.355 (34.4) | 1.390 (35.3) | 1.625 (41.3) | 1.250 (31.8) | 1.375 (34.9) |
| 18 | 1.125 (28.6) | 1 1/2 -18 | 1.688 (42.9) | 1.480 (37.6) | 1.515 (38.5) | 1.750 (44.5) | 1.375 (34.9) | 1.500 (38.1) |
| 19 | 1.188 (30.2) | 1 1/2 -18 | 1.688 (42.9) | 1.480 (37.6) | 1.515 (38.5) | 1.750 (44.5) | 1.375 (34.9) | 1.500 (38.1) |
| 20 | 1.250 (31.8) | 1 5/8 -18 | 1.813 (46.1) | 1.605 (40.8) | 1.640 (41.7) | 1.812 (46.0) | 1.500 (38.1) | 1.625 (41.3) |
| 22 | 1.375 (34.9) | 1 3/4 -18 | 1.938 (49.2) | 1.730 (43.9) | 1.765 (44.8) | 2.000 (50.8) | 1.562 (39.7) | 1.750 (44.5) |
| 24 | 1.500 (38.1) | 2 -18 | 2.188 (55.6) | 1.980 (50.3) | 2.015 (51.2) | 2.250 (57.2) | 1.750 (44.5) | 2.000 (50.8) |
| 26 | 1.625 (41.3) | 2 -18 | 2.188 (55.6) | 1.980 (50.3) | 2.015 (51.2) | 2.250 (57.2) | 1.750 (44.5) | 2.000 (50.8) |
| 28 | 1.750 (44.5) | 2 1/4 -16 | 2.438 (61.9) | 2.230 (56.6) | 2.265 (57.5) | 2.500 (63.5) | 1.938 (49.2) | 2.250 (57.2) |

TABLE IV

| Dash Nos. | H Dia + .015 (+ .4) - .000 (- .0) |
|-----------|-----------------------------------|
| 03-17 | .125 (3.2) |
| 18-20 | .156 (4.0) |
| 22-28 | .188 (4.8) |

TABLE V: SHRINK BOOT

| Dash Nos. | Shrink Boot (Note 2) |
|-----------|----------------------|
| 03-06 | 770-001S103 |
| 07-10 | 770-001S104 |
| 11-12 | 770-001S105 |
| 13-16 | 770-001S106 |
| 17-20 | 770-001S107 |
| 22-26 | 770-001S108 |
| 28 | 770-001S109* |

1. Metric dimensions (mm) are indicated in parentheses.

*Equivalent boot may be supplied in lieu of stated part number.