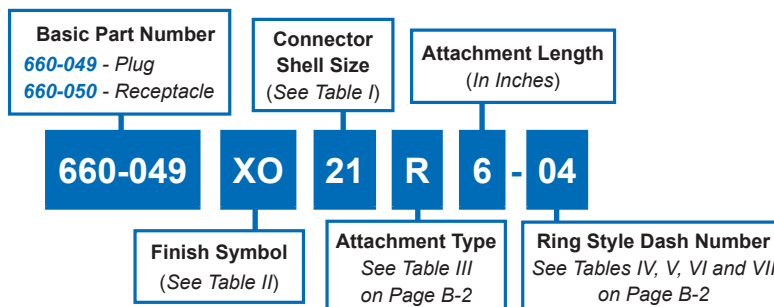


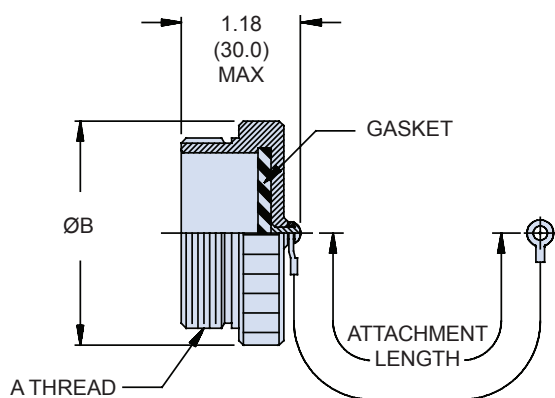
660-049 • 660-050
Composite MIL-DTL-38999 Series III
Protective Covers



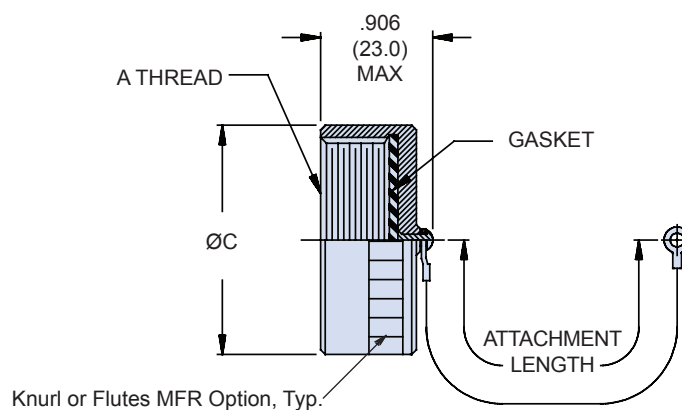
Protective
Covers



660-049
MIL-DTL-38999/32
PLUG COVER



660-050
MIL-DTL-38999/33
RECEPTACLE COVER



| SHELL SIZE | A THREAD | B DIA MAX | C DIA MAX |
|------------|----------------------|--------------|--------------|
| 09 | .6250 -0.1P-0.3L-TS | .906 (23.0) | .906 (23.0) |
| 11 | .7500 -0.1P-0.3L-TS | 1.024 (26.0) | 1.102 (28.0) |
| 13 | .8750 -0.1P-0.3L-TS | 1.220 (31.0) | 1.220 (31.0) |
| 15 | 1.0000 -0.1P-0.3L-TS | 1.300 (33.0) | 1.260 (32.0) |
| 17 | 1.1875 -0.1P-0.3L-TS | 1.457 (37.0) | 1.457 (37.0) |
| 19 | 1.2500 -0.1P-0.3L-TS | 1.575 (40.0) | 1.535 (39.0) |
| 21 | 1.3750 -0.1P-0.3L-TS | 1.732 (44.0) | 1.654 (42.0) |
| 23 | 1.5000 -0.1P-0.3L-TS | 1.811 (46.0) | 1.772 (45.0) |
| 25 | 1.6250 -0.1P-0.3L-TS | 1.969 (50.0) | 1.929 (49.0) |

| Symbol | Finish Description |
|--------|---|
| XB | No Plating - Black Color (Non-Conductive Finish) |
| XM | 2000 Hour Corrosion Resistant Electroless Nickel |
| XMT | 2000 Hour Corrosion Resistant Ni-PTFE, Nickel-Fluorocarbon Polymer. 1000 Hour Grey™ |
| XO | No Plating - Brown Color (Non-Conductive Finish) |
| XW | 2000 Hour Corrosion Resistant Cadmium/Olive Drab over Electroless Nickel |

Metric dimensions (mm) are in parentheses and are for reference only.

B