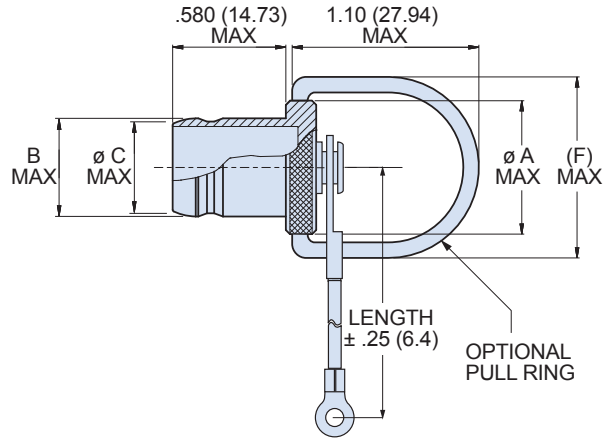
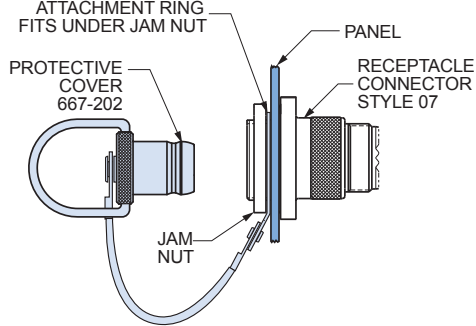




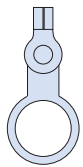
Series 804 Push-Pull Mighty Mouse Protective Receptacle Cover

667-202 Dimensions

667-202 Cover Attachment to RPM Jam Nut Receptacle



| Dia. Code | Shell Size | Ring I.D. | | Ring O.D. | |
|-----------|------------|-----------|-------|-----------|--------|
| | | In. | mm. | In. | mm. |
| | | ± .010 | ±0.25 | ± .015 | ± 0.38 |
| 15 | 5 | .445 | 11.30 | .57 | 14.48 |
| 33 | 6 | .510 | 12.95 | .62 | 15.75 |
| 17 | 7, 8 | .635 | 16.13 | .76 | 19.30 |
| 18 | 9 | .695 | 17.65 | .82 | 20.83 |
| 27 | 10 | .766 | 19.46 | .89 | 22.61 |
| 31 | 11 | .820 | 20.83 | 1.00 | 25.40 |
| 19 | 12 | .885 | 22.48 | 1.01 | 25.65 |
| 28 | 14 | 1.015 | 25.78 | 1.20 | 30.48 |
| 20 | 15 | 1.070 | 27.18 | 1.20 | 30.48 |

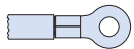
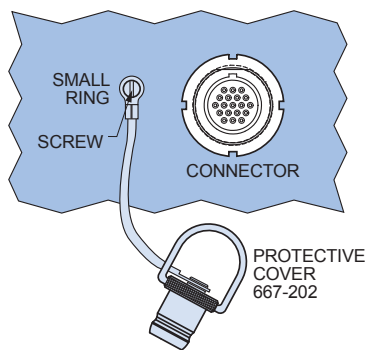


Solid Ring

X

| Dimensions | | | | | | | | | |
|------------|-----------------|-----------------|-----------------|----------------|------------|------------------|-----------------|-----------------|-----------------|
| Shell Size | Ø A Max. | Ø B | Ø C | F Max | Shell Size | Ø A Max. | Ø B | Ø C | F Max |
| 5 | .490 (12.45) | .234 (5.94) | .203 (5.16) | .74 (18.80) | 10 | .773 (19.63) | .548 (13.92) | .513 (13.03) | 1.03 (26.16) |
| 6 | .490 (12.45) | .297 (7.54) | .266 (6.76) | .74 (18.80) | 11 | .805 (20.45) | .600 (15.24) | .569 (14.45) | 1.06 (26.92) |
| 7 | .570 (14.48) | .367 (9.32) | .335 (8.51) | .82 (20.83) | 12 | .860 (21.84) | .658 (16.71) | .627 (15.93) | 1.11 (28.19) |
| 8 | .614 (15.60) | .414 (10.52) | .383 (9.73) | .87 (22.10) | 14 | .980 (24.89) | .781 (19.84) | .749 (19.02) | 1.23 (31.24) |
| 9 | .680 (17.27) | .467 (11.86) | .435 (11.05) | .92 (23.37) | 15 | 1.045 (26.54) | .843 (21.41) | .811 (20.60) | 1.30 (33.02) |

667-202 Cover Attachment to Panel



Small Ring for Attaching Receptacle Covers to a Panel with a Screw

| Dia. Code | Screw Size | Ring I.D. | | Ring O.D. | |
|-----------|------------|-----------|-------|-----------|------|
| | | In. | mm. | In. | mm. |
| | | ±.005 | ±0.13 | Max. | Max. |
| 01 | #4, M3 | .126 | 3.20 | .31 | 7.9 |
| 02 | #6 | .145 | 3.68 | .31 | 7.9 |
| 04 | #8, M4 | .188 | 4.78 | .31 | 7.9 |
| 06 | #10 | .197 | 5.00 | .31 | 7.9 |

Lanyard Options



Nylon Rope

-65° to +100°C., black, very flexible, very good abrasion resistance, good resistance to fuels, .120" (3mm) diameter



Polyurethane Coated Wire Rope

Black polyurethane over stainless steel rope, -65° to +125°C., very flexible, excellent abrasion resistance, excellent resistance to fuels, .080" (2mm) diameter



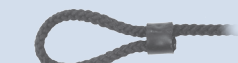
Teflon[®] Jacketed Wire Rope

Translucent FEP jacket over stainless steel, -65° to +200°C., fair flexibility, good abrasion resistance, .100" diameter



Sash Chain

Stainless steel, #8 chain, .240" (6mm)



Slip Knot (SK) for Attaching Covers to Cable

65° to +100°C., black, very flexible, very good abrasion resistance, good resistance to fuels, .120" (3mm) diameter. Length includes .5" (13mm) diameter loop.

Dimensions in Inches (millimeters) are subject to change without notice.