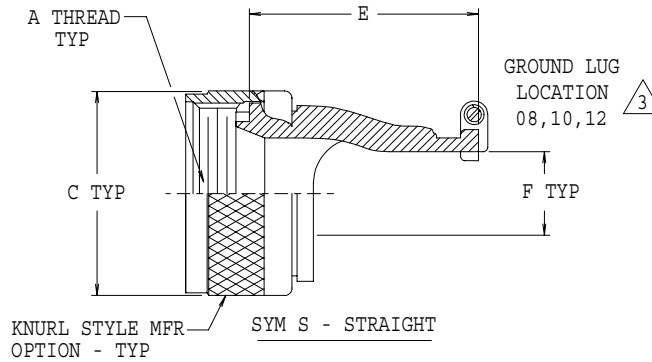
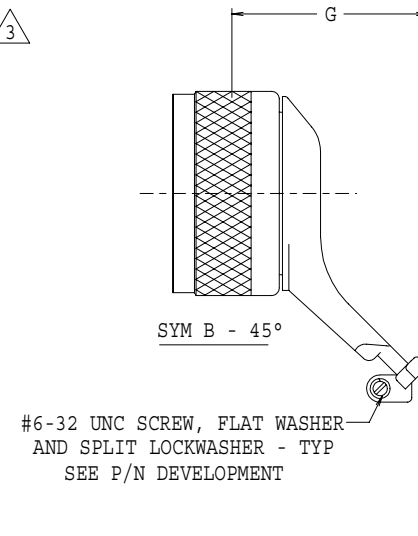
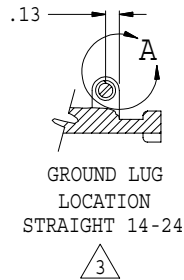
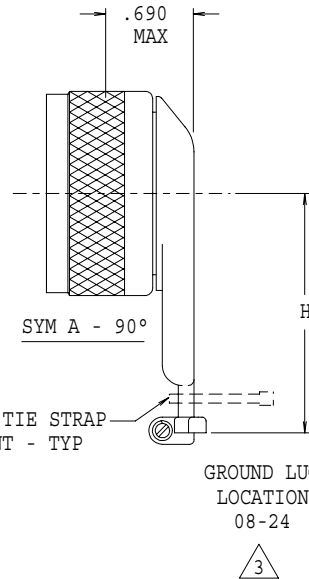
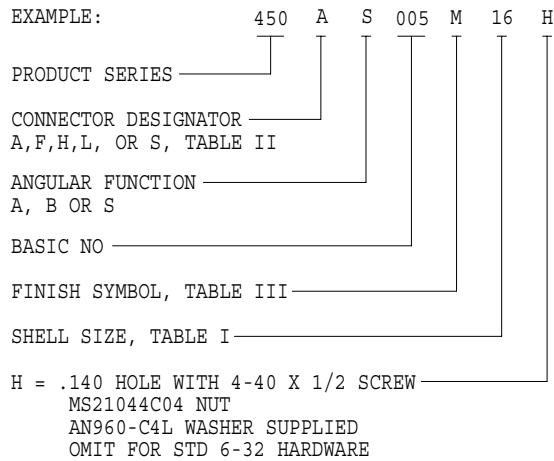


VIEW A



REVISIONS			
SYM.	DESCRIPTION	DATE	APPROVED
A	REVISED PER DCN 09808	05/27/92	T.L.
B	REVISED PER DCN 11011	03/07/94	T.L.
C	REVISED PER DCN 11818	05/23/95	T.L.
D	REVISED PER DCN 11968	08/28/95	T.L.
E	REVISED PER DCN 12326	03/08/96	T.L.
F	REVISED PER DCN 12358	05/24/96	T.L.
G	REVISED PER DCN 21536	10/21/03	T.L.
H	REVISED PER DCN 21634	11/13/03	T.L.
J	REVISED PER DCN 23288	12/29/04	T.L.
K	REVISED PER DCN 27043	02/06/07	T.L.

PART NUMBER DEVELOPMENT



NOTES:

- ASSEMBLY IDENTIFIED WITH MANUFACTURERS NAME AND P/N, SPACE PERMITTING.
- GLENAIR 600 SERIES BACKSHELL ASSEMBLY TOOLS ARE RECOMMENDED FOR ASSEMBLY AND INSTALLATION.
- GROUND LUG LOCATION OPTIONAL FOR STAINLESS STEEL MATERIAL
- MATERIAL/FINISH:
COUPLING NUT, QWIK-TY® BODIES - AL ALLOY/SEE TABLE III
HARDWARE - CRES/PASSIVATE

UNLESS OTHERWISE SPECIFIED DIMENSIONS ARE IN INCHES TOLERANCES:		DRAWN S.SMITH 6/19/86 CHECK R.KEIM 6/19/86 ENGR P.OAKES 6/19/86 APPROVED RELEASE DATE 6/19/86 ORIGINAL RELEASE DATE	GLENAIR, INC. CAD 1986® 1211 AIR WAY - GLENDALE - CALIFORNIA 91201 QWIK-TY®, FOR CONNECTORS PER TABLE I	
FRACTIONS ± 1/16	DECIMALS .XX ± .03 .XXX ± .015	DO NOT SCALE THIS DRAWING	CODE IDENT. NO. 06324	SIZE C
ANGLES ± 2°	B/F 87-8116 P/C 45	NON REPARABLE COMMERCIAL ITEM	SCALE N/A	WEIGHT N/A
			SHEET 1 OF 2 450-005 REV. K	

SHELL SIZE						A THREAD	C DIA MAX	E MAX	F CABLE ENTRY	G MAX	H MAX
A	F	H	L	S							
	08 (9)		08	08		7/16-28 UNEF	.65	.990	.260	1.066	.89
		09 (A)				M12 X 1.0 - 6H	.77	.990	.260	1.066	.89
08						1/2-20 UNF	.65	.990	.260	1.066	.89
03	10 (11)		10	10		9/16-24 UNEF	.77	.990	.365	1.066	.95
		11 (B)				M15 X 1.0 - 6H	.82	.990	.365	1.066	.95
10						5/8-24 UNEF	.77	.990	.365	1.066	.95
	12 (13)		12	12		11/16-24 UNEF	.89	1.050	.501	1.066	1.01
		13 (C)				M18 X 1.0 - 6H	.94	1.050	.501	1.066	1.01
12 (7)						3/4-20 UNEF	.94	1.050	.501	1.066	1.01
	14 (15)		14	14		13/16-20 UNEF	1.02	1.230	.575	1.285	1.33
		15 (D)				M22 X 1.0 - 6H	1.07	1.230	.575	1.285	1.33
14 (12)						7/8-20 UNEF	1.02	1.230	.575	1.285	1.33
	16 (17)		16	16		15/16-20 UNEF	1.15	1.230	.700	1.285	1.39
		17 (E)				M25 X 1.0 - 6H	1.21	1.230	.700	1.285	1.39
16 (19)						1-20 UNEF	1.21	1.230	.700	1.285	1.39
18 (27)	18 (19)		18	18		1 1/16-18 UNEF	1.23	1.290	.779	1.285	1.46
		19 (F)				M28 X 1.0 - 6H	1.36	1.290	.779	1.285	1.46
20 (37)	20 (21)		20	20		1 3/16-18 UNEF	1.36	1.420	.904	1.285	1.51
		21 (G)				M31 X 1.0 - 6H	1.48	1.420	.904	1.285	1.51
22	22 (23)		22	22		1 5/16-18 UNEF	1.48	1.540	1.029	1.285	1.59
		23 (H)				M34 X 1.0 - 6H	1.60	1.540	1.029	1.285	1.59
24	24 (25)		24	24		1 7/16-18 UNEF	1.73	1.660	1.144	1.285	1.64
		25 (J)				M37 X 1.0 - 6H	1.70	1.660	1.144	1.285	1.64

NOTE: CONNECTOR DESIGNATIONS DEPICTED WITH (X) ARE FOR REFERENCE ONLY AND ARE NOT TO BE USED IN PART NUMBER DEVELOPMENTS

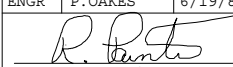
CONNECTOR DESIGNATOR REFERENCE TABLE			
CONNECTOR DESIGNATOR	CONNECTOR SPECIFICATION	SERIES	
A	MIL-C-5015	MS34*0	
	MIL-C-26482	2	
	MIL-C-81703	3	
	MIL-C-83723	I & III	
	40M39569		
	CECC 75201.001		
	DEF 5326-3		
	EN2997		
	EN3646		
	ESC10		
F	ESC11		
	LN 29504		
	NFC 93422	HE302	
	PAN 6432-1		
	PAN 6432-2		
	PATT 602		
	MIL-C-38999	I & II	
	40M38277		
	NFC 93422	HE309	
	NFC 93422	HE308	
H	PAN 6433-1		
	PATT 614		
	PATT 616		
	MIL-C-38999	III & IV	
	L	EN 3372	
		JN 1003	
		LN 29729	
		NFC 93422	HE306
		PAN 6433-2	
		PATT 615	
VG 96912			
PATT 105			
PATT 603			
PATT 608			

REVISIONS			
SYM.	DESCRIPTION	DATE	APPROVED
	SEE SHEET 1		

TABLE III	
SYM	FINISH DESCRIPTION
B	CADMIUM PLATE, OLIVE DRAB
C*	ANODIZE, BLACK
G*	HARD COAT, ANODIC
J	GOLD IRIDITE OVER CADMIUM PLATE OVER NICKEL
LF	CADMIUM PLATE, BRIGHT OVER ELECTROLESS NICKEL
M	ELECTROLESS NICKEL
N	CADMIUM PLATE, OLIVE DRAB OVER NICKEL
NC	ZINC COBALT, DARK OLIVE DRAB
NF	CAD/O. D. OVER ELECTROLESS NICKEL (500 HOUR SALT SPRAY)
T	CADMIUM PLATE, BRIGHT DIP OVER NICKEL
U**	CADMIUM PLATE, BLACK
UC	ZINC COBALT, BLACK
X	CADMIUM PLATE, BLACK OVER ELECTROLESS NICKEL
Z1**	PASSIVATE
ZN	ZINC NICKEL, OLIVE DRAB

*NON-CONDUCTIVE FINISH - NOT SUITABLE FOR RFI/EMI SHIELDING APPLICATIONS

**APPLICABLE TO CORROSION RESISTING STEEL BACKSHELLS AND ACCESSORIES CONSULT FACTORY FOR OTHER AVAILABLE FINISHES

UNLESS OTHERWISE SPECIFIED DIMENSIONS ARE IN INCHES TOLERANCES:	DRAWN	S.SMITH	6/19/86	GLENAIR, INC. CAD 1986 [®] 1211 AIR WAY - GLENDALE - CALIFORNIA 91201
	CHECK	R.KEIM	6/19/86	
	ENGR	P.OAKES	6/19/86	
	FRACTIONS	± 1/16		 APPROVED RELEASE DATE: 6/19/86
DECIMALS	.XX	±.03		
DECIMALS	.XXX	±.015		
ANGLES	± 2°		CODE IDENT. NO. 66324 SIZE C 450-005 REV. K	
DO NOT SCALE THIS DRAWING	ORIGINAL RELEASE DATE			SCALE N/A
B/F 87-8116	P/C 45	NON REPAIRABLE COMMERCIAL ITEM	WEIGHT N/A	SHEET 2 OF 2