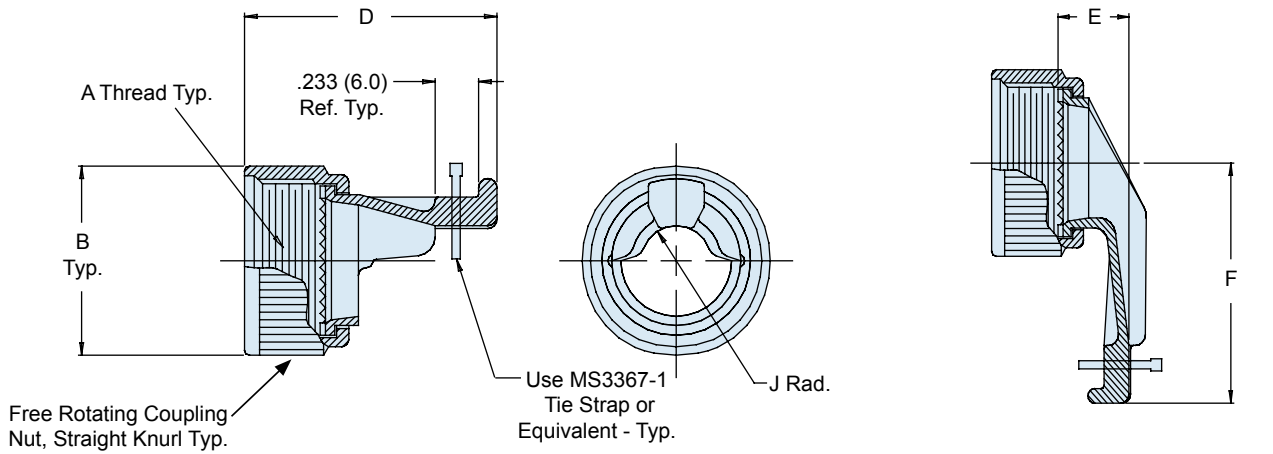
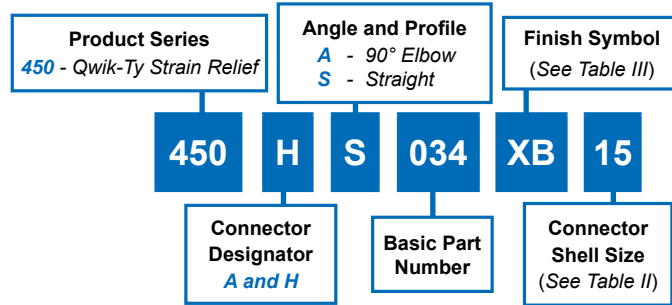
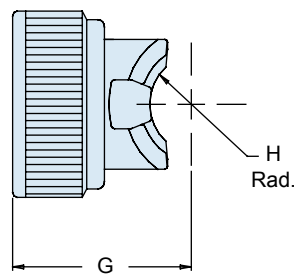


A

| CONNECTOR DESIGNATOR: | |
|---------------------------|---|
| A | MIL-DTL-5015, -26482 Series II, and -83723 Series I and III |
| H | MIL-DTL-38999 Series III and IV |
| ROTATABLE COUPLING | |
| LOW PROFILE | |



- NOTES**
- Metric dimensions (mm) are in parenthesis and are for reference only.
 - See Table I in Intro for front-end dimensional details.



450-034
Composite Qwik-Ty® Strain-Relief
with Free-Rotating Coupling
90° and 45°



TABLE II: CONNECTOR SHELL SIZE & CABLE ENTRY

| Shell Size* | | B Dia | D | E | F |
|-------------|----|--------------|--------------|-------------|--------------|
| A | H | Max | Max | Max | Max |
| 08 | 09 | .640 (16.3) | 1.107 (28.1) | .472 (12.0) | .886 (22.5) |
| 10 | 11 | .765 (19.4) | 1.107 (28.1) | .472 (12.0) | .945 (24.0) |
| 12 | 13 | .890 (22.6) | 1.166 (29.6) | .492 (12.5) | 1.004 (25.5) |
| 14 | 15 | 1.015 (25.8) | 1.268 (32.2) | .492 (12.5) | 1.319 (33.5) |
| 16 | 17 | 1.140 (29.0) | 1.270 (32.3) | .452 (11.5) | 1.378 (35.0) |
| 18 | 19 | 1.265 (32.1) | 1.418 (36.0) | .492 (12.5) | 1.476 (37.5) |
| 20 | 21 | 1.390 (35.3) | 1.548 (39.3) | .472 (12.0) | 1.515 (38.5) |
| 22 | 23 | 1.454 (36.9) | 1.666 (42.3) | .472 (12.0) | 1.575 (40.0) |
| 24 | 25 | 1.594 (40.5) | 1.796 (45.6) | .472 (12.0) | 1.653 (42.0) |

* Even Number Shell Size, Code A
 Odd Number Shell Size, Code H

TABLE II: CONNECTOR SHELL SIZE & CABLE ENTRY (CONT.)

| Shell Size* | G Max | H Rad. Max | J Rad. Max | Weight In Grams | |
|-------------|--------------|-------------|------------|-----------------|-----|
| | | | | Straight | 90° |
| 08/09 | .945 (24.0) | .197 (5.0) | .098 (2.5) | 1.8 | 1.9 |
| 10/11 | .945 (24.0) | .197 (5.0) | .138 (3.5) | 2.3 | 2.6 |
| 12/13 | .945 (24.0) | .197 (5.0) | .157 (4.0) | 2.9 | 3.2 |
| 14/15 | 1.023 (26.0) | .275 (7.0) | .197 (5.0) | 3.3 | 3.8 |
| 16/17 | 1.023 (26.0) | .295 (7.5) | .236 (6.0) | 3.9 | 4.6 |
| 18/19 | 1.102 (28.0) | .335 (8.5) | .295 (7.5) | 5.1 | 5.7 |
| 20/21 | 1.161 (29.5) | .394 (10.0) | .295 (7.5) | 5.8 | 6.4 |
| 22/23 | 1.161 (29.5) | .394 (10.0) | .335 (8.5) | 7.0 | 7.4 |
| 24/25 | 1.319 (33.5) | .551 (14.0) | .374 (9.5) | 8.6 | 9.3 |

TABLE III: FINISH

| Symbol | Finish Description |
|--------|---|
| XB | No Plating - Black Material (Non-Conductive Finish) |
| XO | No Plating - Brown Material (Non-Conductive Finish) |