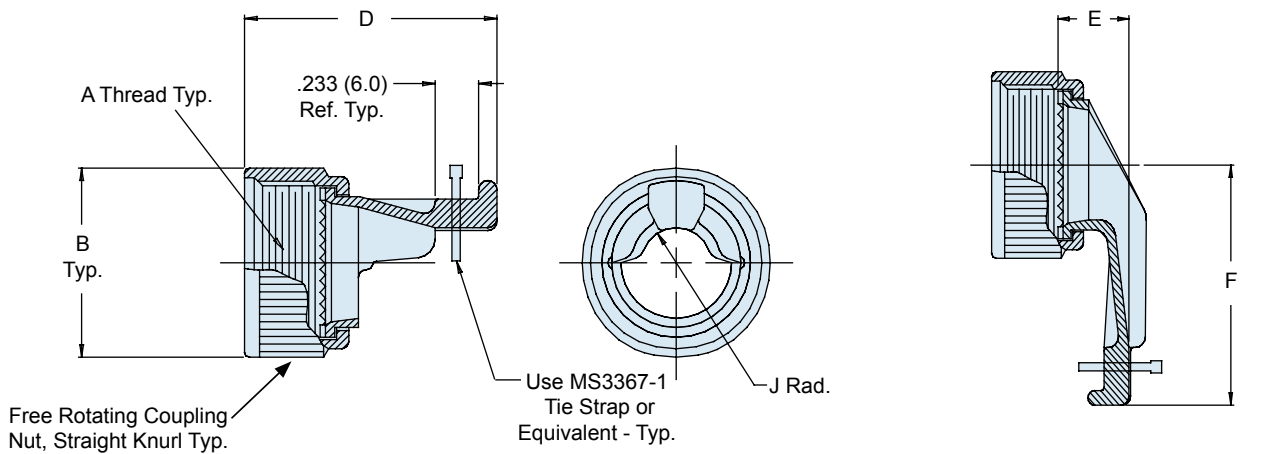
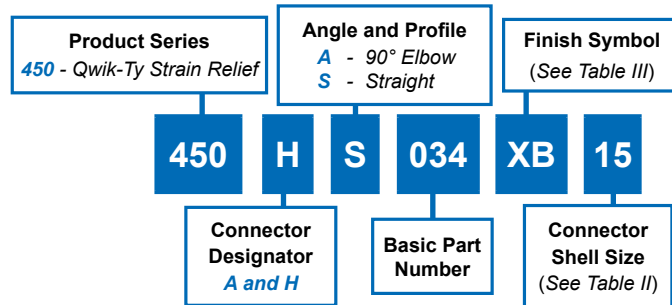




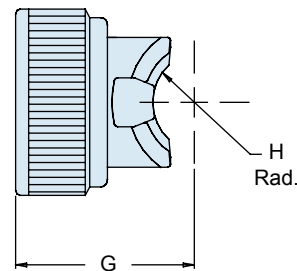
**450-034**  
**Composite Qwik-Ty® Strain-Relief**  
**with Free-Rotating Coupling**  
**90° and 45°**

**A**

CONNECTOR DESIGNATOR:	
<b>A</b>	MIL-DTL-5015, -26482 Series II, and -83723 Series I and III
<b>H</b>	MIL-DTL-38999 Series III and IV
<b>ROTATABLE COUPLING</b>	
<b>LOW PROFILE</b>	



<b>NOTES</b>	
1.	Metric dimensions (mm) are in parenthesis and are for reference only.
2.	See Table I in Intro for front-end dimensional details.



**450-034**  
**Composite Qwik-Ty® Strain-Relief**  
**with Free-Rotating Coupling**  
**90° and 45°**



**TABLE II: CONNECTOR SHELL SIZE & CABLE ENTRY**

Shell Size*		B Dia	D	E	F
A	H	Max	Max	Max	Max
08	09	.640 (16.3)	1.107 (28.1)	.472 (12.0)	.886 (22.5)
10	11	.765 (19.4)	1.107 (28.1)	.472 (12.0)	.945 (24.0)
12	13	.890 (22.6)	1.166 (29.6)	.492 (12.5)	1.004 (25.5)
14	15	1.015 (25.8)	1.268 (32.2)	.492 (12.5)	1.319 (33.5)
16	17	1.140 (29.0)	1.270 (32.3)	.452 (11.5)	1.378 (35.0)
18	19	1.265 (32.1)	1.418 (36.0)	.492 (12.5)	1.476 (37.5)
20	21	1.390 (35.3)	1.548 (39.3)	.472 (12.0)	1.515 (38.5)
22	23	1.454 (36.9)	1.666 (42.3)	.472 (12.0)	1.575 (40.0)
24	25	1.594 (40.5)	1.796 (45.6)	.472 (12.0)	1.653 (42.0)

\* Even Number Shell Size, Code A  
 Odd Number Shell Size, Code H

**TABLE II: CONNECTOR SHELL SIZE & CABLE ENTRY (CONT.)**

Shell Size*	G Max	H Rad. Max	J Rad. Max	Weight In Grams	
				Straight	90°
08/09	.945 (24.0)	.197 (5.0)	.098 (2.5)	1.8	1.9
10/11	.945 (24.0)	.197 (5.0)	.138 (3.5)	2.3	2.6
12/13	.945 (24.0)	.197 (5.0)	.157 (4.0)	2.9	3.2
14/15	1.023 (26.0)	.275 (7.0)	.197 (5.0)	3.3	3.8
16/17	1.023 (26.0)	.295 (7.5)	.236 (6.0)	3.9	4.6
18/19	1.102 (28.0)	.335 (8.5)	.295 (7.5)	5.1	5.7
20/21	1.161 (29.5)	.394 (10.0)	.295 (7.5)	5.8	6.4
22/23	1.161 (29.5)	.394 (10.0)	.335 (8.5)	7.0	7.4
24/25	1.319 (33.5)	.551 (14.0)	.374 (9.5)	8.6	9.3

**TABLE III: FINISH**

Symbol	Finish Description
XB	No Plating - Black Material (Non-Conductive Finish)
XO	No Plating - Brown Material (Non-Conductive Finish)