

AS85049/75 Potting Boot

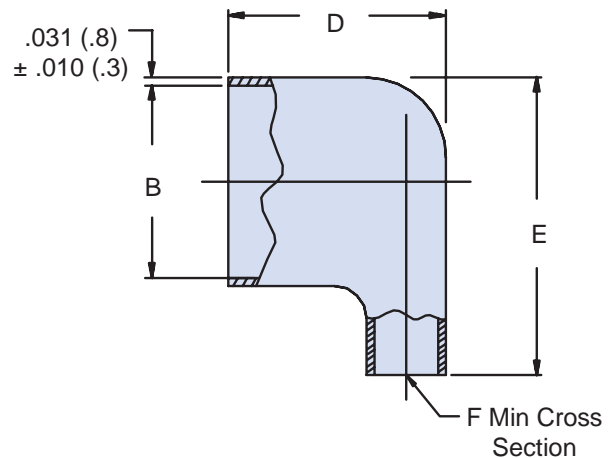
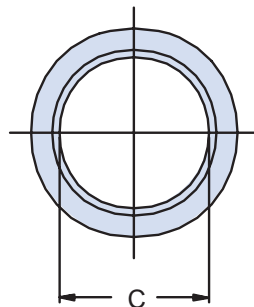
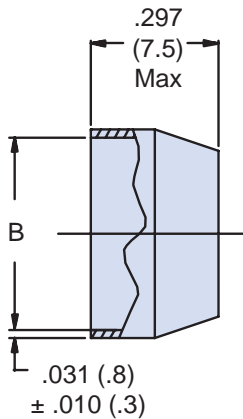


AS85049

B

For Use with
AS85049/58
Potting Boot Ring
(Page B-80)

| | | |
|-------------------|---------------|-------------------------------------|
| Basic Part Number | Shell Size | Geometry 1 - Straight 2 = 90° |
| M85049/75 | - 10 - | 1 |



| Shell Size | B Dia ± .005 (.1) | C Min ID | D Max | E Max | F Min |
|------------|----------------------|--------------|--------------|--------------|-------------|
| 8 | .527 (13.4) | .434 (11.0) | .438 (11.1) | .766 (19.5) | .073 (1.9) |
| 10 | .652 (16.6) | .548 (13.9) | .469 (11.9) | .891 (22.6) | .117 (3.0) |
| 12 | .776 (19.7) | .673 (17.1) | .562 (14.3) | 1.031 (26.2) | .206 (5.2) |
| 14 | .898 (22.8) | .798 (20.3) | .719 (18.3) | 1.156 (29.4) | .384 (9.8) |
| 16 | 1.016 (25.8) | .899 (22.8) | .781 (19.8) | 1.287 (32.7) | .443 (11.3) |
| 18 | 1.140 (29.0) | 1.024 (26.0) | .844 (21.4) | 1.406 (35.7) | .561 (14.2) |
| 20 | 1.265 (32.1) | 1.149 (29.2) | .906 (23.0) | 1.531 (38.9) | .693 (17.6) |
| 22 | 1.390 (35.3) | 1.274 (32.4) | .938 (23.8) | 1.656 (42.1) | .840 (21.3) |
| 24 | 1.515 (38.5) | 1.399 (35.5) | 1.031 (26.2) | 1.781 (45.2) | .999 (25.4) |

APPLICATION NOTES

- For complete dimensions see the applicable Military Specification.
- Material: Translucent nylon, minimum wall thickness .020 (.51).
- Metric dimensions (mm) are in parentheses.

Dimensions in inches (millimeters) and are subject to change without notice.