

M38999/10 Dummy Stowage Receptacle Bayonet Coupling

MATING CONNECTOR

MIL-DTL-38999 Series II and
MIL-DTL-27599, Series II

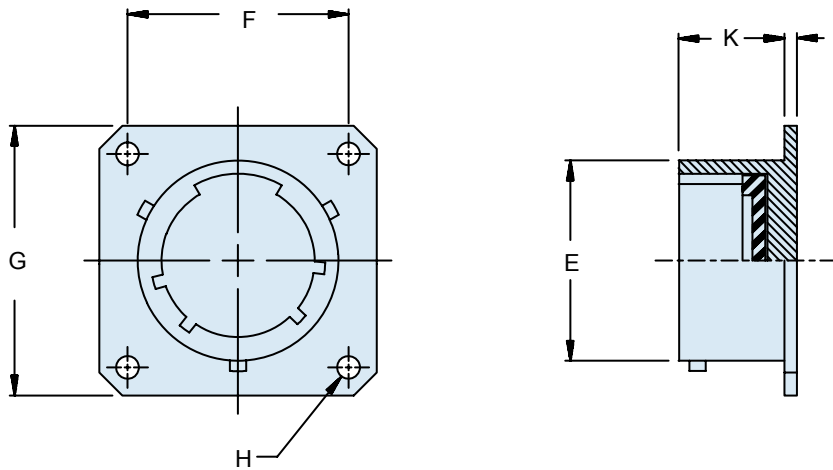
Basic
Part No.

Finish

*B = Cadmium Olive Drab
over Electroless Nickel*

M38999/10 - 12 B

Shell Size



**TABLE I: Dash Number, Cable Entry
and Backshell Dimensions**

Shell Size	E Max		F		G Max		H Nom		J Max		K	
		(mm)		(mm)		(mm)		(mm)		(mm)	±.010	(.3)
8	.474	(12.0)	.594	(15.1)	.828	(21.0)	.120	(3.0)	.069	(1.8)	.451	(11.5)
10	.591	(15.0)	.719	(18.3)	.954	(24.2)	.120	(3.0)	.069	(1.8)	.451	(11.5)
12	.751	(19.1)	.812	(20.6)	1.047	(26.6)	.120	(3.0)	.069	(1.8)	.451	(11.5)
14	.876	(22.3)	.906	(23.0)	1.141	(29.0)	.120	(3.0)	.069	(1.8)	.451	(11.5)
16	1.001	(25.4)	.969	(24.6)	1.234	(31.3)	.120	(3.0)	.069	(1.8)	.451	(11.5)
18	1.126	(28.6)	1.062	(27.0)	1.328	(33.7)	.120	(3.0)	.069	(1.8)	.451	(11.5)
20	1.251	(31.8)	1.156	(29.4)	1.453	(36.9)	.120	(3.0)	.069	(1.8)	.451	(11.5)
22	1.376	(35.0)	1.250	(31.8)	1.578	(40.1)	.120	(3.0)	.069	(1.8)	.451	(11.5)
24	1.501	(38.1)	1.375	(34.9)	1.703	(43.3)	.147	(3.7)	.069	(1.8)	.451	(11.5)

APPLICATION NOTES

1. Assembly to be identified with manufacturer's name and part number, space permitting.
2. For complete dimensions, see the applicable Military Specification.
3. Metric dimensions (mm) are in parentheses.