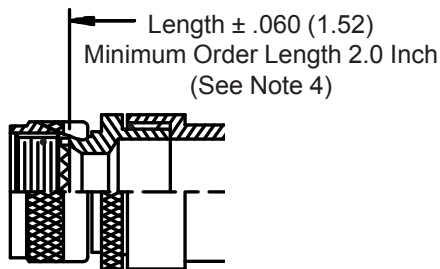
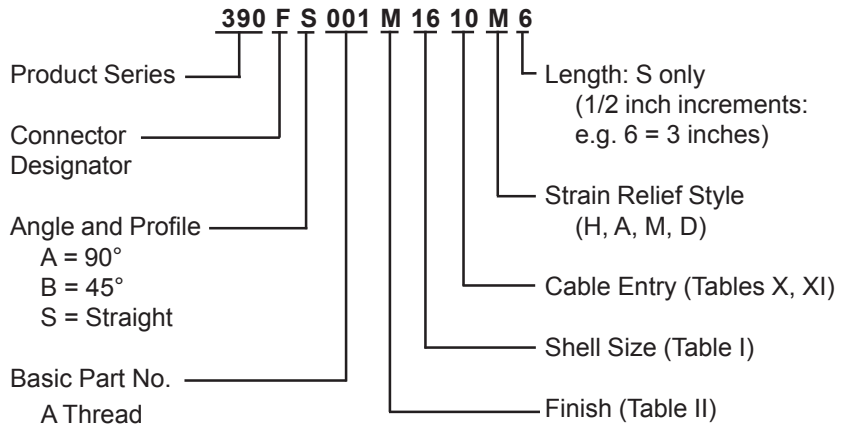
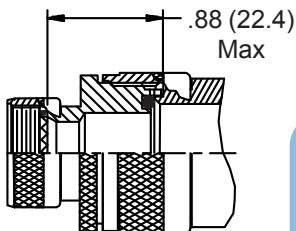


**CONNECTOR
 DESIGNATORS
 A-F-H-L-S
 ROTATABLE
 COUPLING**

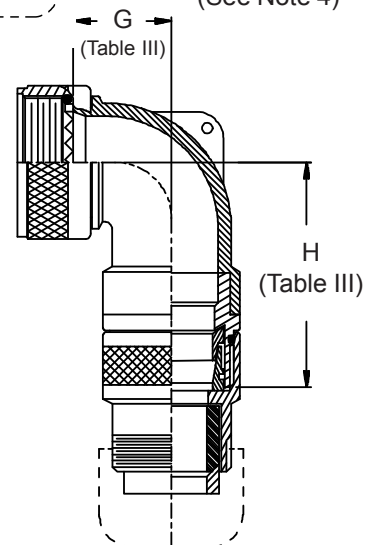
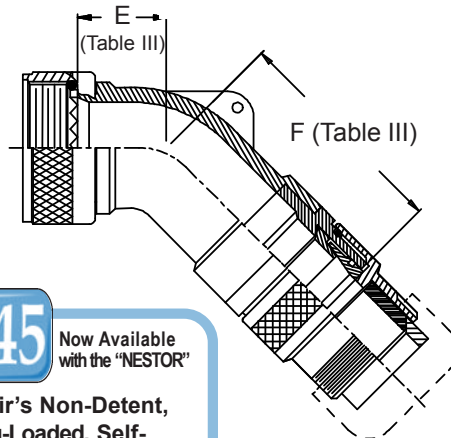
**TYPE A OVERALL
 SHIELD TERMINATION**



**STYLE 2
 (STRAIGHT)**
 See Note 1)

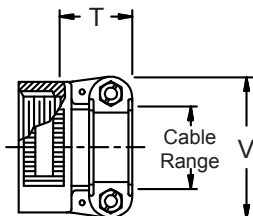


**STYLE 2
 (45° & 90°)**
 See Note 1)

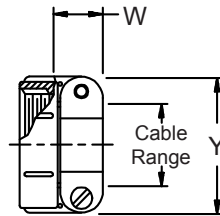


-445 Now Available with the "NESTOR"
 Glenair's Non-Detent, Spring-Loaded, Self-Locking Coupling.
 Add "-445" to Specify This AS85049 Style "N" Coupling Interface.

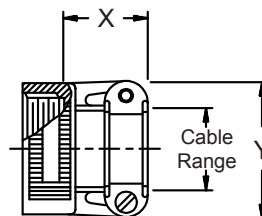
**STYLE H
 Heavy Duty**
 (Table X)



**STYLE A
 Medium Duty**
 (Table XI)



**STYLE M
 Medium Duty**
 (Table XI)



**STYLE D
 Medium Duty**
 (Table XI)

