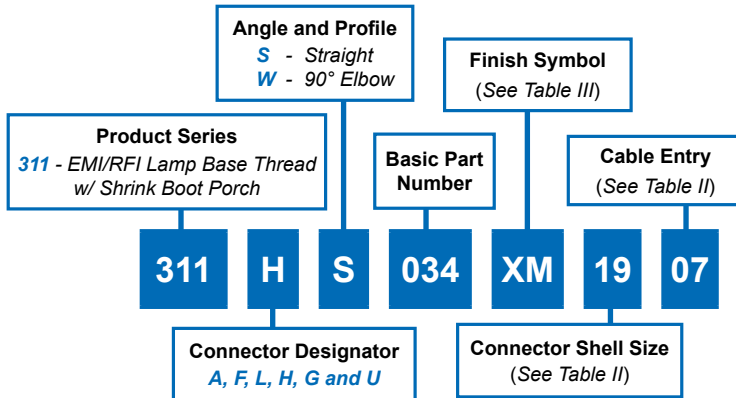


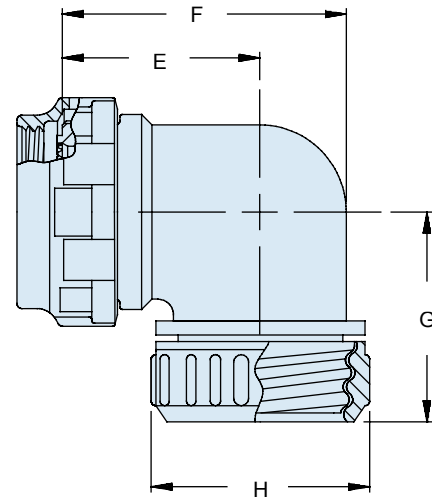
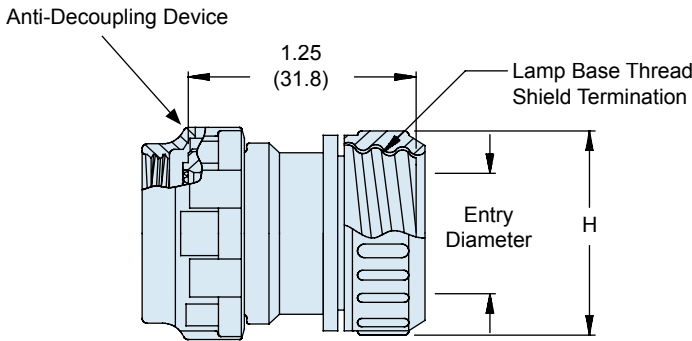
# 311-034 Composite Lamp Base Thread EMI/RFI Shield Termination Backshell with Self-Locking Rotatable Coupling Nut



A



Dash No.	H	Entry Dia.
01	±.06 (1.5)	±.03 (0.8)
02	.45 (11.4)	.13 (3.3)
03	.52 (13.2)	.25 (6.4)
04	.64 (16.3)	.38 (9.7)
05	.77 (19.6)	.50 (12.7)
06	.92 (23.4)	.63 (16.0)
07	1.02 (25.9)	.75 (19.1)
08	1.14 (29.0)	.81 (20.6)
09	1.27 (32.3)	.94 (23.9)
10	1.43 (36.3)	1.06 (26.9)
11	1.52 (38.6)	1.19 (30.2)
	1.64 (41.7)	1.38 (35.1)



- NOTES**
- See Table I in Intro for front-end dimensional details.
  - Coupling nut supplied unplated.
  - Metric dimensions (mm) are for reference only.

Shell Size For Connector Designator*					E	F	G	Max Entry
A	F/L	H	G	U	±.06 (1.5)	±.09 (2.3)	±.09 (2.3)	Dash No.**
08	08	09	-	-	.69 (17.5)	.88 (22.4)	1.19 (30.2)	02
10	10	11	-	08	.75 (19.1)	1.00 (25.4)	1.25 (31.8)	03
12	12	13	11	10	.81 (20.6)	1.13 (28.7)	1.31 (33.3)	04
14	14	15	13	12	.88 (22.4)	1.31 (33.3)	1.38 (35.1)	05
16	16	17	15	14	.94 (23.9)	1.38 (35.1)	1.44 (36.6)	06
18	18	19	17	16	.97 (24.6)	1.44 (36.6)	1.47 (37.3)	07
20	20	21	19	18	1.06 (26.9)	1.63 (41.4)	1.56 (39.6)	08
22	22	23	-	20	1.13 (28.7)	1.75 (44.5)	1.63 (41.4)	09
24	24	25	23	22	1.19 (30.2)	1.88 (47.8)	1.69 (42.9)	10
28	-	-	25	24	1.34 (34.0)	2.13 (54.1)	1.78 (45.2)	11

\*\*Consult factory for additional entry sizes available.  
See introduction for additional connector front-end details.

Symbol	Finish Description
XM	2000 Hour Corrosion Resistant Electroless Nickel
XMT	2000 Hour Corrosion Resistant Ni-PTFE, Nickel-Fluorocarbon Polymer. 1000 Hour Grey™
XW	2000 Hour Corrosion Resistant Cadmium/Olive Drab over Electroless Nickel