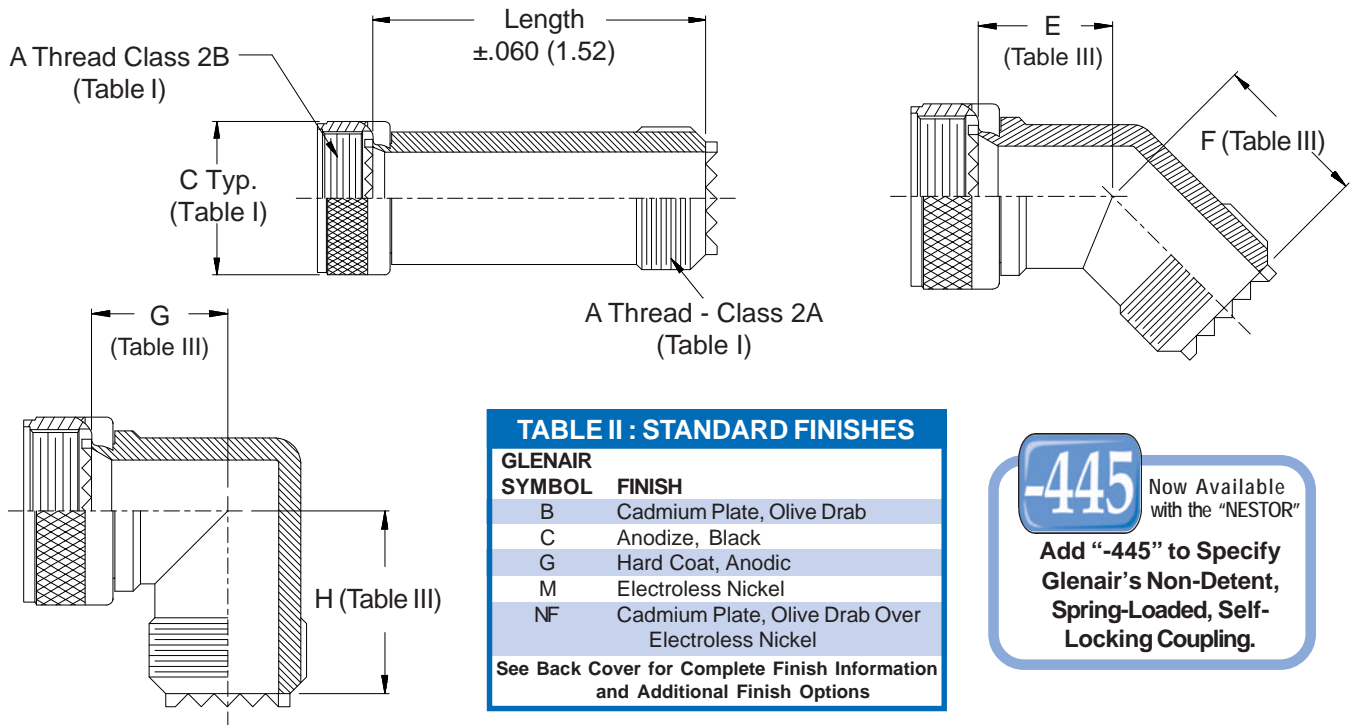
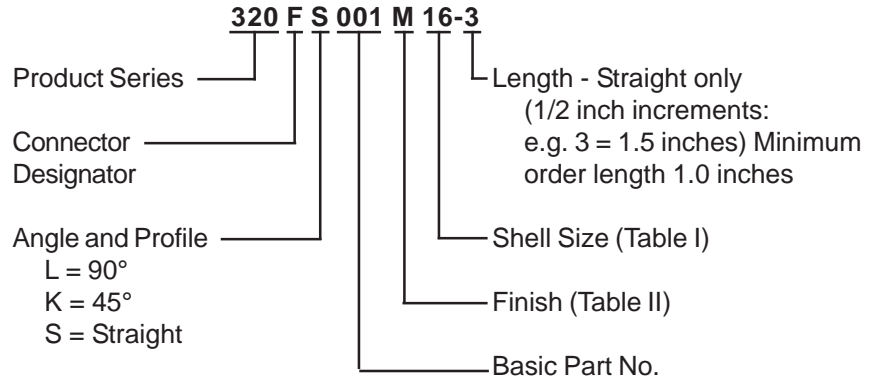


**CONNECTOR  
DESIGNATORS  
A-D-F-H-L-S  
ROTATABLE  
COUPLING**

**TABLE II : STANDARD FINISHES**

| GLENAIR |   |
|---------|---|
| SYMBOL  | FINISH  |
| B       | Cadmium Plate, Olive Drab                         |
| C       | Anodize, Black                                    |
| G       | Hard Coat, Anodic                                 |
| M       | Electroless Nickel                                |
| NF      | Cadmium Plate, Olive Drab Over Electroless Nickel |

See Back Cover for Complete Finish Information and Additional Finish Options

**-445**

 Now Available  
 with the "NESTOR"

Add "-445" to Specify  
 Glenair's Non-Detent,  
 Spring-Loaded, Self-  
 Locking Coupling.

**TABLE III: DIMENSIONS**

| Shell Size              |    | G<br>Max     | F<br>Max     | E<br>Max     | H<br>Max     |
|-------------------------|----|--------------|--------------|--------------|--------------|
| Conn. Desig.<br>A-F-L-S | H  |              |              |              |              |
| 08                      | 09 | .940 (23.9)  | .890 (22.6)  | .830 (21.1)  | 1.000 (25.4) |
| 10                      | 11 | 1.010 (25.7) | .920 (23.4)  | .860 (21.8)  | 1.070 (27.2) |
| 12                      | 13 | 1.070 (27.2) | .942 (23.9)  | .882 (22.4)  | 1.130 (28.7) |
| 14                      | 15 | 1.130 (28.7) | .970 (24.6)  | .900 (22.9)  | 1.190 (30.2) |
| 16                      | 17 | 1.190 (30.2) | .990 (25.1)  | .930 (23.6)  | 1.250 (31.8) |
| 18                      | 19 | 1.240 (31.5) | 1.010 (25.7) | .950 (24.1)  | 1.300 (33.0) |
| 20                      | 21 | 1.310 (33.3) | 1.040 (26.4) | .980 (24.9)  | 1.370 (34.8) |
| 22                      | 23 | 1.360 (34.5) | 1.060 (26.9) | 1.000 (25.4) | 1.420 (36.1) |
| 24                      | 25 | 1.540 (39.1) | 1.090 (27.7) | 1.030 (26.2) | 1.490 (37.8) |

See inside back  
 cover fold-out or  
 pages 13 and 14  
 for unabridged  
 Tables I and II.

Metric dimensions  
 (mm) are indicated in  
 parentheses.

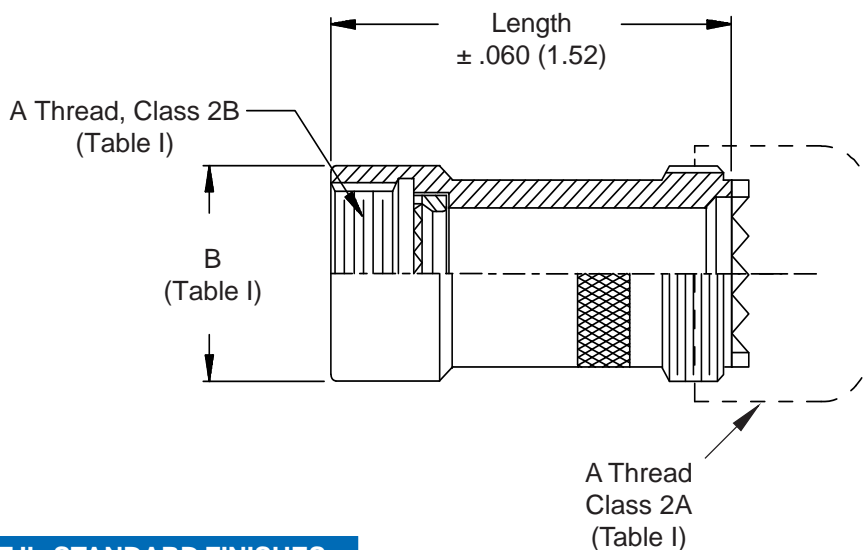
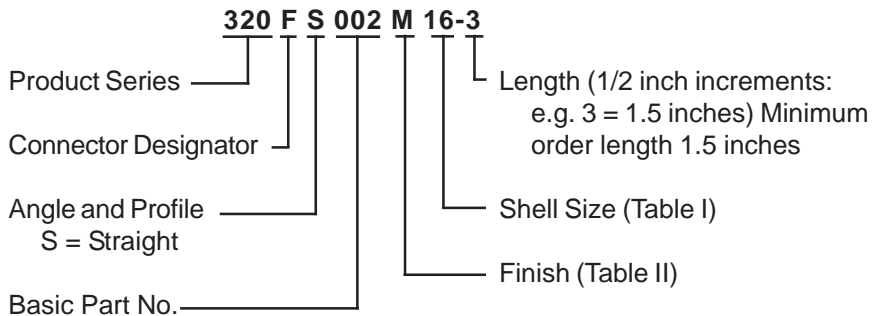
**320-002**  
**Extender Backshell**  
 Standard Profile - Direct Coupling - Straight Only



**CONNECTOR  
 DESIGNATORS**  
**A-B\*-C-D-E-F**  
**G-H-J-K-L-S**

\* Conn. Desig. B See Note 2

**DIRECT  
 COUPLING**



**TABLE II : STANDARD FINISHES**

| GLENAIR |   |
|---------|---|
| SYMBOL  | FINISH  |
| B       | Cadmium Plate, Olive Drab                         |
| C       | Anodize, Black                                    |
| G       | Hard Coat, Anodic                                 |
| M       | Electroless Nickel                                |
| NF      | Cadmium Plate, Olive Drab Over Electroless Nickel |

See Back Cover for Complete Finish Information and Additional Finish Options

See inside back cover fold-out or pages 13 and 14 for unabridged Tables I and II.

1. Metric dimensions (mm) are indicated in parentheses.
2. When using Connector Designator B refer to pages 18 and 19 for part number development.