

**CONNECTOR
DESIGNATORS
A-D-F-H-L-S
ROTATABLE
COUPLING**

TABLE II : STANDARD FINISHES

| GLENAIR | |
|---------|---|
| SYMBOL | FINISH |
| B | Cadmium Plate, Olive Drab |
| C | Anodize, Black |
| G | Hard Coat, Anodic |
| M | Electroless Nickel |
| NF | Cadmium Plate, Olive Drab Over Electroless Nickel |

See Back Cover for Complete Finish Information and Additional Finish Options

-445

 Now Available
 with the "NESTOR"

Add "-445" to Specify
 Glenair's Non-Detent,
 Spring-Loaded, Self-
 Locking Coupling.

TABLE III: DIMENSIONS

| Shell Size Conn. Desig. | | G | F | E | H |
|----------------------------|----|--------------|--------------|--------------|--------------|
| A-F-L-S | H | Max | Max | Max | Max |
| 08 | 09 | .940 (23.9) | .890 (22.6) | .830 (21.1) | 1.000 (25.4) |
| 10 | 11 | 1.010 (25.7) | .920 (23.4) | .860 (21.8) | 1.070 (27.2) |
| 12 | 13 | 1.070 (27.2) | .942 (23.9) | .882 (22.4) | 1.130 (28.7) |
| 14 | 15 | 1.130 (28.7) | .970 (24.6) | .900 (22.9) | 1.190 (30.2) |
| 16 | 17 | 1.190 (30.2) | .990 (25.1) | .930 (23.6) | 1.250 (31.8) |
| 18 | 19 | 1.240 (31.5) | 1.010 (25.7) | .950 (24.1) | 1.300 (33.0) |
| 20 | 21 | 1.310 (33.3) | 1.040 (26.4) | .980 (24.9) | 1.370 (34.8) |
| 22 | 23 | 1.360 (34.5) | 1.060 (26.9) | 1.000 (25.4) | 1.420 (36.1) |
| 24 | 25 | 1.540 (39.1) | 1.090 (27.7) | 1.030 (26.2) | 1.490 (37.8) |

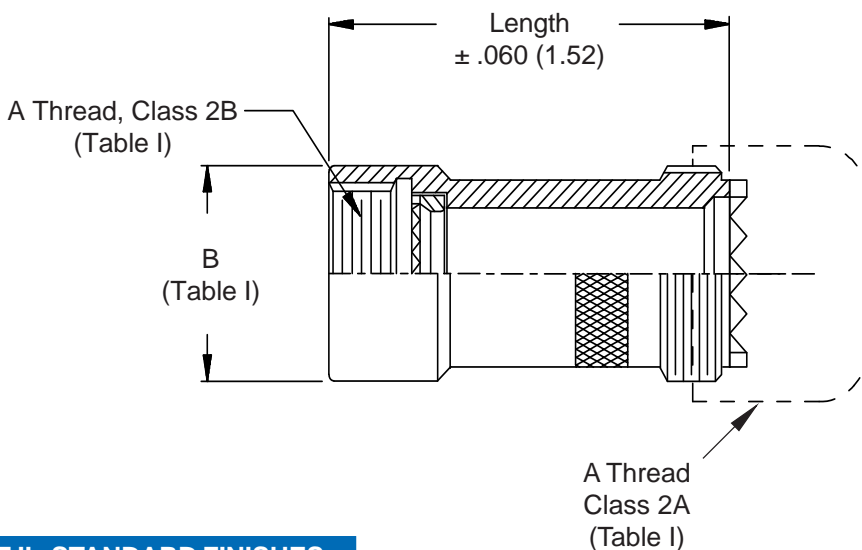
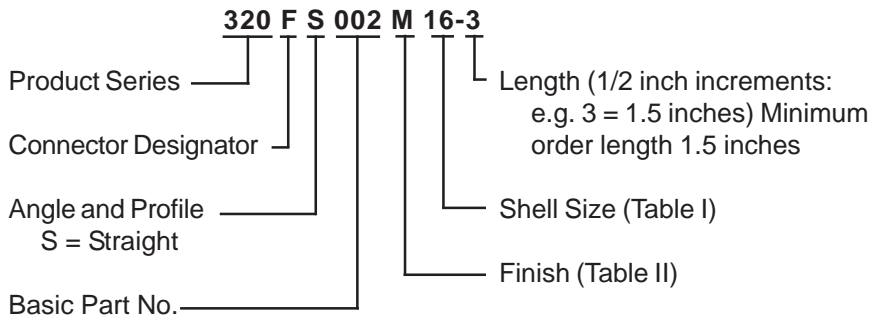
See inside back
 cover fold-out or
 pages 13 and 14
 for unabridged
 Tables I and II.

Metric dimensions
 (mm) are indicated in
 parentheses.

320-002
Extender Backshell
 Standard Profile - Direct Coupling - Straight Only



**CONNECTOR
 DESIGNATORS**
A-B*-C-D-E-F
G-H-J-K-L-S
 * Conn. Desig. B See Note 2
**DIRECT
 COUPLING**



| TABLE II : STANDARD FINISHES | |
|------------------------------|---|
| GLENAIR SYMBOL | FINISH |
| B | Cadmium Plate, Olive Drab |
| C | Anodize, Black |
| G | Hard Coat, Anodic |
| M | Electroless Nickel |
| NF | Cadmium Plate, Olive Drab Over Electroless Nickel |

See Back Cover for Complete Finish Information and Additional Finish Options

See inside back cover fold-out or pages 13 and 14 for unabridged Tables I and II.

1. Metric dimensions (mm) are indicated in parentheses.
2. When using Connector Designator B refer to pages 18 and 19 for part number development.