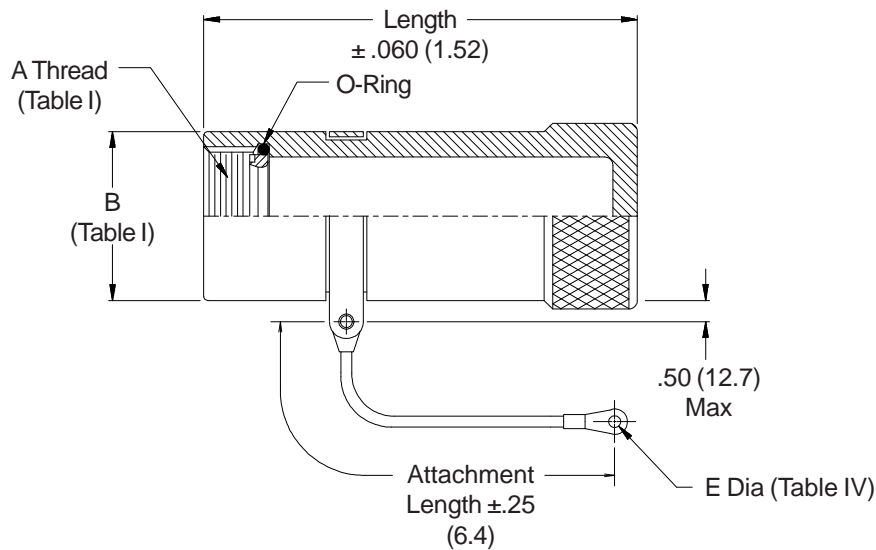
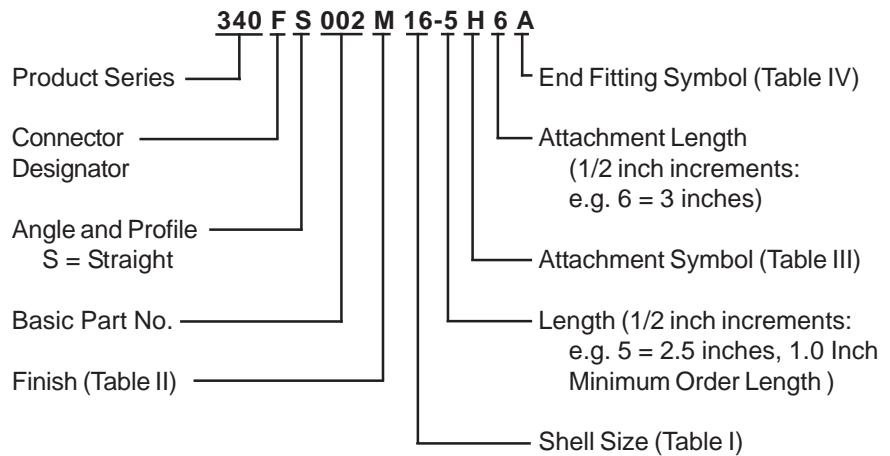


# 340-002 O-Ring Sealed Shorting Cap Backshell Direct Coupling



## CONNECTOR DESIGNATORS **A-B\*-C-D-E-F** **G-H-J-K-L-S** \* Conn. Desig. B See Note 3 **DIRECT COUPLING**



**See inside back cover  
fold-out or pages 13 and  
14 for unabridged  
Tables I and II.**

Symbol	E Dia.
A	.140 (3.6)
B	.167 (4.2)
C	.182 (4.6)
D	.191 (4.9)
E	.125 (3.2)
F	.218 (5.5)

Symbol	Attachment
C	No attachment, body strap only
D	Bead chain, cres, passivate, with terminal
E	Link chain, cres, passivate, with reverse link
F	Wire rope, nylon jacket, with terminal
G	Nylon rope, with terminal
H	Wire rope, teflon jacket, with terminal
N	Attachment omitted
R	Wire rope, PVC jacket, with terminal
S	#8 Sash chain, cres, passivate
U	Wire rope, polyurethane jacket, with terminal

GLENAIR SYMBOL	FINISH
B	Cadmium Plate, Olive Drab
C	Anodize, Black
G	Hard Coat, Anodic
M	Electroless Nickel
NF	Cadmium Plate, Olive Drab Over Electroless Nickel

See Back Cover for Complete Finish Information and Additional Finish Options

1. Metric dimensions (mm) are indicated in parentheses.
2. Custom engraving available, consult factory.
3. When using Connector Designator B refer to pages 18 and 19 for part number development.