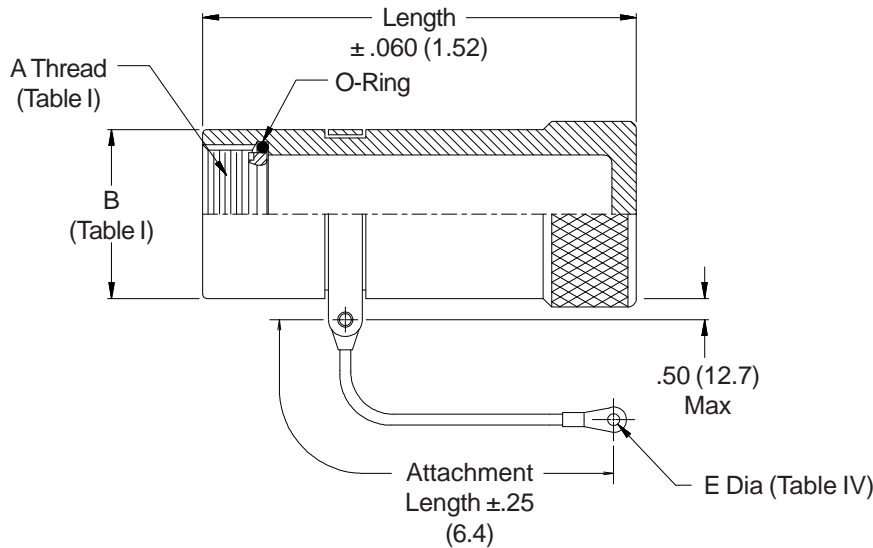
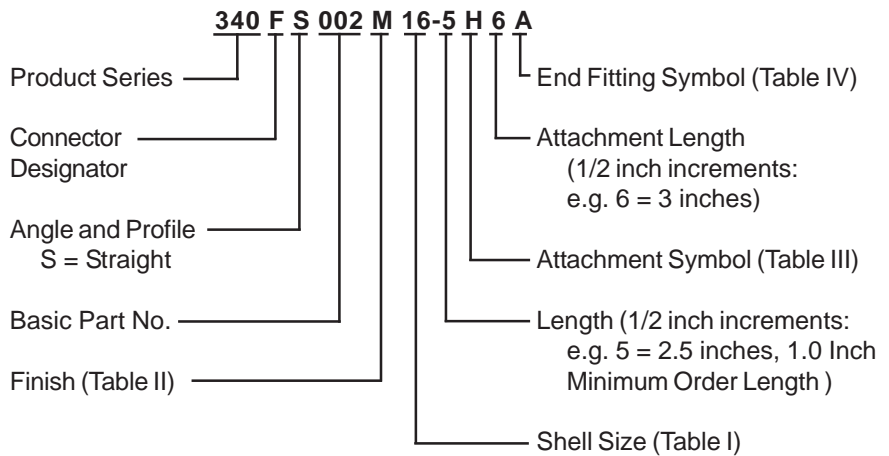


# 340-002 O-Ring Sealed Shorting Cap Backshell Direct Coupling



## CONNECTOR DESIGNATORS **A-B\*-C-D-E-F** **G-H-J-K-L-S** \* Conn. Desig. B See Note 3 **DIRECT COUPLING**



See inside back cover  
fold-out or pages 13 and  
14 for unabridged  
Tables I and II.

| TABLE IV: END FITTING |            |
|-----------------------|------------|
| Symbol                | E Dia.     |
| A                     | .140 (3.6) |
| B                     | .167 (4.2) |
| C                     | .182 (4.6) |
| D                     | .191 (4.9) |
| E                     | .125 (3.2) |
| F                     | .218 (5.5) |

| TABLE III: ATTACHMENT OPTIONS |  |
|-------------------------------|--|
| Symbol                        | Attachment                                     |
| C                             | No attachment, body strap only                 |
| D                             | Bead chain, cres, passivate, with terminal     |
| E                             | Link chain, cres, passivate, with reverse link |
| F                             | Wire rope, nylon jacket, with terminal         |
| G                             | Nylon rope, with terminal                      |
| H                             | Wire rope, teflon jacket, with terminal        |
| N                             | Attachment omitted                             |
| R                             | Wire rope, PVC jacket, with terminal           |
| S                             | #8 Sash chain, cres, passivate                 |
| U                             | Wire rope, polyurethane jacket, with terminal  |

| TABLE II: STANDARD FINISHES |   |
|-----------------------------|---|
| GLENAIR                     |   |
| SYMBOL                      | FINISH  |
| B                           | Cadmium Plate, Olive Drab                         |
| C                           | Anodize, Black                                    |
| G                           | Hard Coat, Anodic                                 |
| M                           | Electroless Nickel                                |
| NF                          | Cadmium Plate, Olive Drab Over Electroless Nickel |

See Back Cover for Complete Finish Information and Additional Finish Options

1. Metric dimensions (mm) are indicated in parentheses.
2. Custom engraving available, consult factory.
3. When using Connector Designator B refer to pages 18 and 19 for part number development.