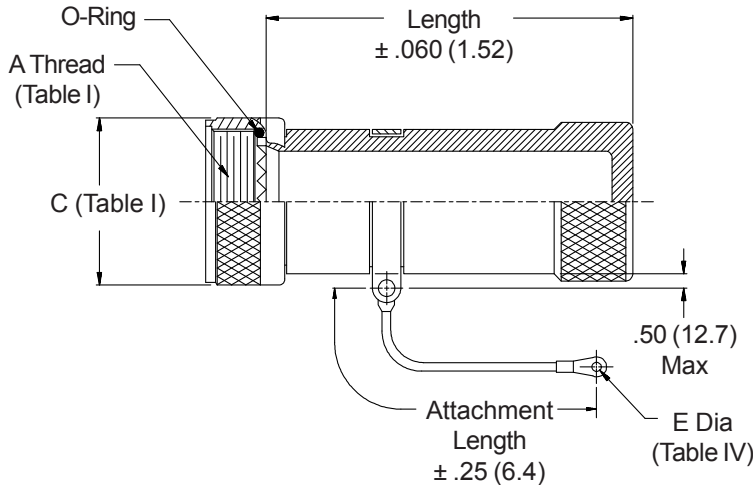
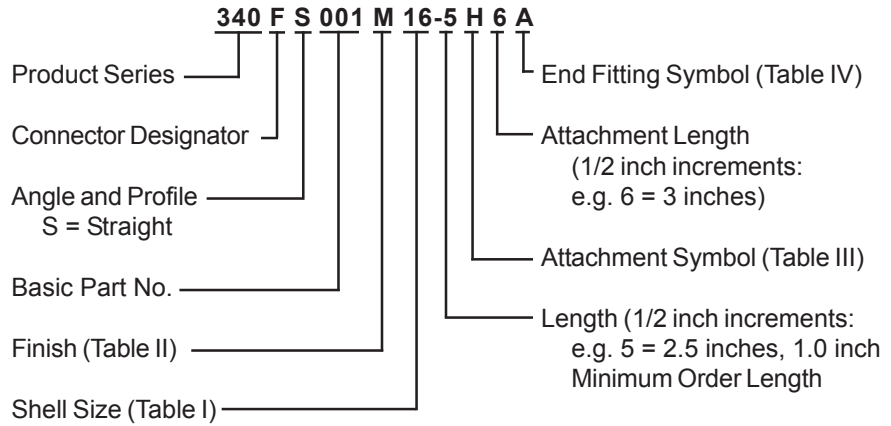


**CONNECTOR
DESIGNATORS**
A-F-G
H-J-L-S
**ROTATABLE
COUPLING**



-445 Now Available with the "NESTOR"

Add "-445" to Specify Glenair's Non-Detent, Spring-Loaded, Self-Locking Coupling. See Page 41 for Details.

TABLE III: ATTACHMENT OPTIONS

| Symbol | Attachment |
|--------|--|
| C | No attachment, body strap only |
| D | Bead chain, cres, passivate, with terminal |
| E | Link chain, cres, passivate, with reverse link |
| F | Wire rope, nylon jacket, with terminal |
| G | Nylon rope, with terminal |
| H | Wire rope, fluoropolymer jacket, with terminal |
| N | Attachment omitted |
| R | Wire rope, PVC jacket, with terminal |
| S | #8 Sash chain, cres, passivate |
| U | Wire rope, polyurethane jacket, with terminal |

TABLE IV: END FITTING

| Symbol | E Dia. |
|--------|------------|
| A | .140 (3.6) |
| B | .167 (4.2) |
| C | .182 (4.6) |
| D | .191 (4.9) |
| E | .125 (3.2) |
| F | .218 (5.5) |

TABLE II: STANDARD FINISHES

| GLENAIR SYMBOL | FINISH |
|----------------|---|
| B | Cadmium Plate, Olive Drab |
| C | Anodize, Black |
| G | Hard Coat, Anodic |
| M | Electroless Nickel |
| NF | Cadmium Plate, Olive Drab Over Electroless Nickel |

See Back Cover for Complete Finish Information and Additional Finish Options

1. Metric dimensions (mm) are indicated in parentheses.
2. O-Ring not supplied with Connector Designators A and G.
3. Custom engraving available, consult factory.

See inside back cover fold-out or pages 13 and 14 for unabridged Tables I and II.