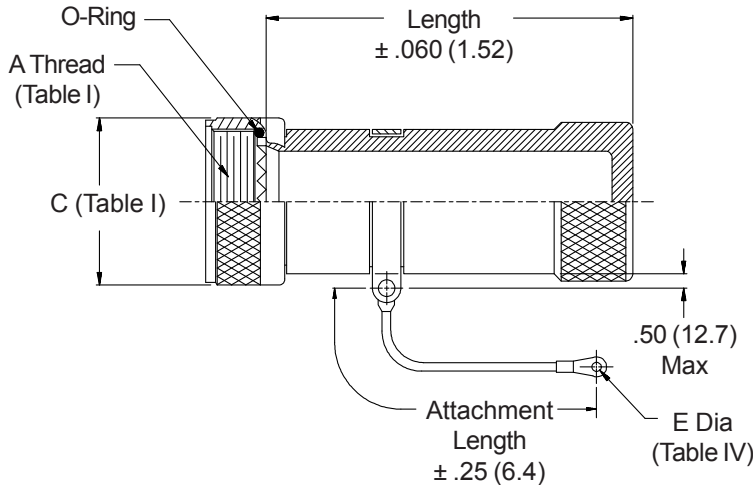
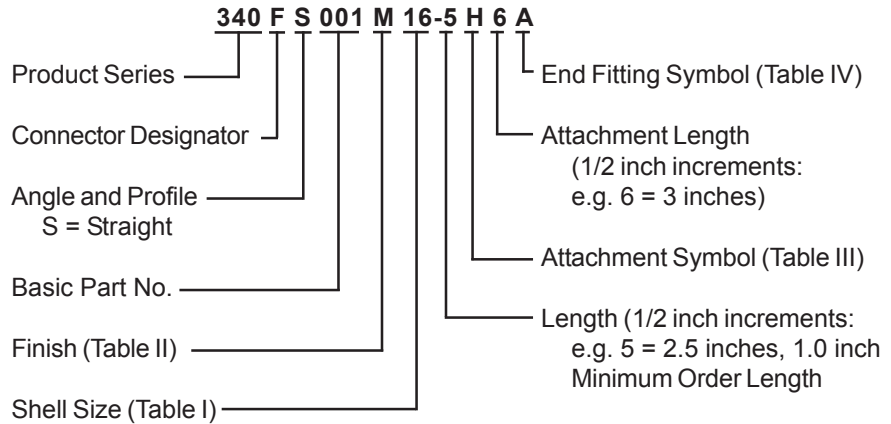


**CONNECTOR
 DESIGNATORS**
A-F-G
H-J-L-S
**ROTATABLE
 COUPLING**



-445 Now Available with the "NESTOR"
 Add "-445" to Specify Glenair's Non-Detent, Spring-Loaded, Self-Locking Coupling. See Page 41 for Details.

TABLE III: ATTACHMENT OPTIONS

Symbol	Attachment
C	No attachment, body strap only
D	Bead chain, cres, passivate, with terminal
E	Link chain, cres, passivate, with reverse link
F	Wire rope, nylon jacket, with terminal
G	Nylon rope, with terminal
H	Wire rope, fluoropolymer jacket, with terminal
N	Attachment omitted
R	Wire rope, PVC jacket, with terminal
S	#8 Sash chain, cres, passivate
U	Wire rope, polyurethane jacket, with terminal

TABLE IV: END FITTING

Symbol	E Dia.
A	.140 (3.6)
B	.167 (4.2)
C	.182 (4.6)
D	.191 (4.9)
E	.125 (3.2)
F	.218 (5.5)

TABLE II: STANDARD FINISHES

GLENAIR SYMBOL	FINISH
B	Cadmium Plate, Olive Drab
C	Anodize, Black
G	Hard Coat, Anodic
M	Electroless Nickel
NF	Cadmium Plate, Olive Drab Over Electroless Nickel

See Back Cover for Complete Finish Information and Additional Finish Options

1. Metric dimensions (mm) are indicated in parentheses.
2. O-Ring not supplied with Connector Designators A and G.
3. Custom engraving available, consult factory.

See inside back cover fold-out or pages 13 and 14 for unabridged Tables I and II.