

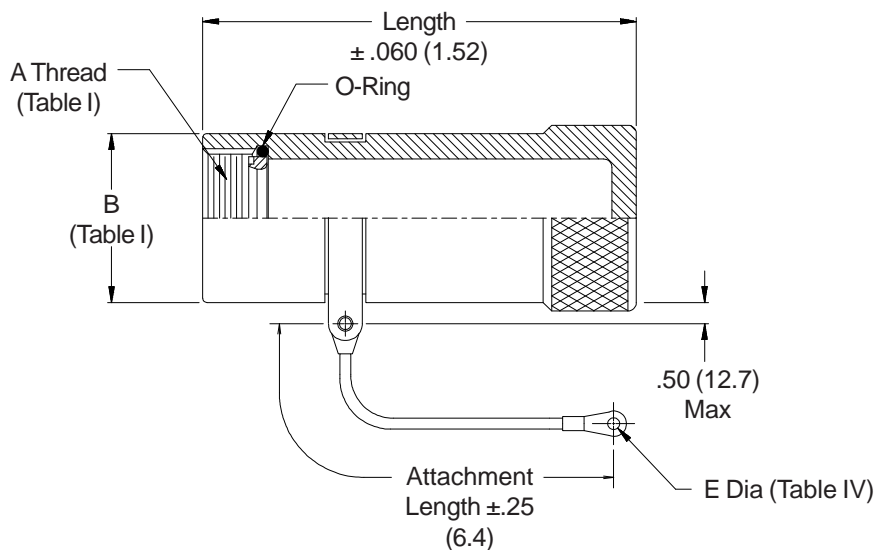
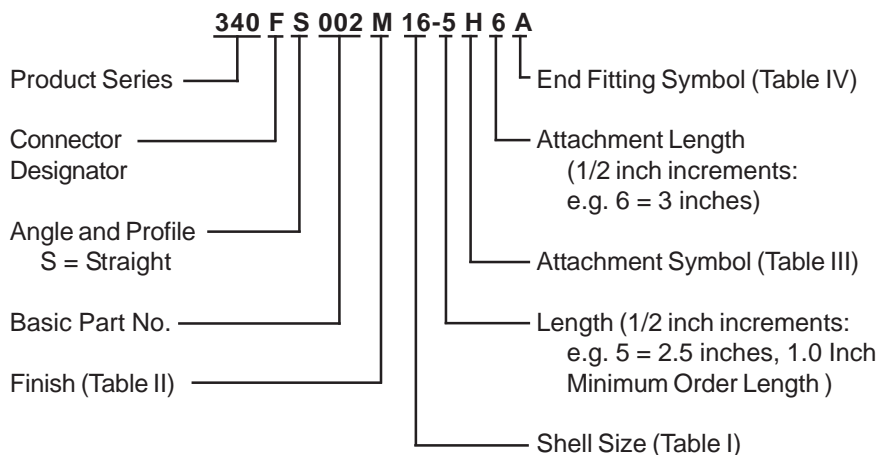
340-002 O-Ring Sealed Shorting Cap Backshell Direct Coupling



CONNECTOR DESIGNATORS **A-B*-C-D-E-F** **G-H-J-K-L-S**

* Conn. Desig. B See Note 3

DIRECT COUPLING



See inside back cover
fold-out or pages 13 and
14 for unabridged
Tables I and II.

TABLE IV: END FITTING	
Symbol	E Dia.
A	.140 (3.6)
B	.167 (4.2)
C	.182 (4.6)
D	.191 (4.9)
E	.125 (3.2)
F	.218 (5.5)

TABLE III: ATTACHMENT OPTIONS	
Symbol	Attachment
C	No attachment, body strap only
D	Bead chain, cres, passivate, with terminal
E	Link chain, cres, passivate, with reverse link
F	Wire rope, nylon jacket, with terminal
G	Nylon rope, with terminal
H	Wire rope, teflon jacket, with terminal
N	Attachment omitted
R	Wire rope, PVC jacket, with terminal
S	#8 Sash chain, cres, passivate
U	Wire rope, polyurethane jacket, with terminal

TABLE II: STANDARD FINISHES	
GLENAIR	
SYMBOL	FINISH
B	Cadmium Plate, Olive Drab
C	Anodize, Black
G	Hard Coat, Anodic
M	Electroless Nickel
NF	Cadmium Plate, Olive Drab Over Electroless Nickel

See Back Cover for Complete Finish Information and Additional Finish Options

1. Metric dimensions (mm) are indicated in parentheses.
2. Custom engraving available, consult factory.
3. When using Connector Designator B refer to pages 18 and 19 for part number development.