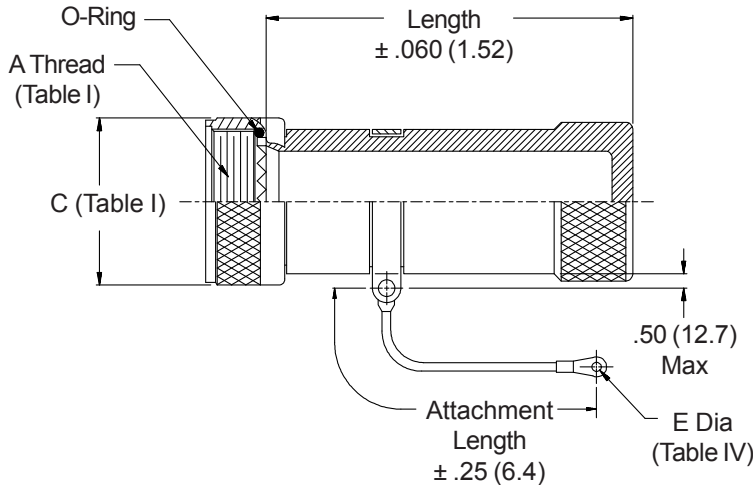
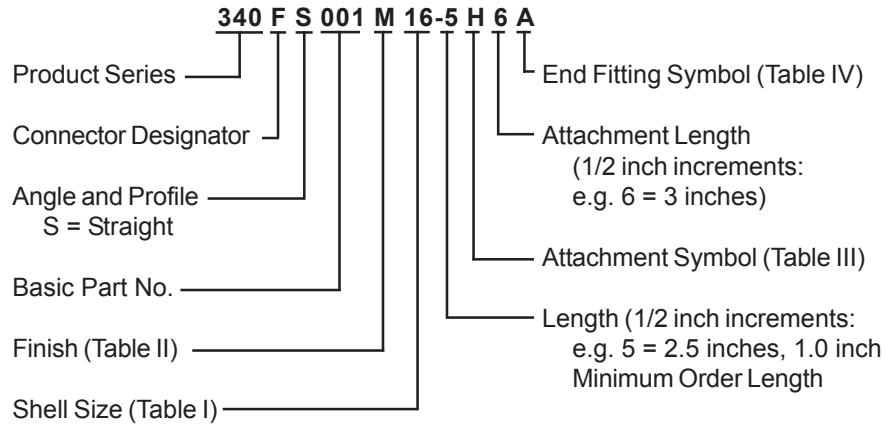




# 340-001 O-Ring Sealed Shorting Cap Backshell Rotatable Coupling

**CONNECTOR  
DESIGNATORS**  
**A-F-G**  
**H-J-L-S**  
**ROTATABLE  
COUPLING**



**-445**

Now Available  
with the "NESTOR"

Add "-445" to Specify  
Glenair's Non-Detent,  
Spring-Loaded, Self-  
Locking Coupling. See  
Page 41 for Details.

**TABLE IV: END FITTING**

Symbol	E Dia.
A	.140 (3.6)
B	.167 (4.2)
C	.182 (4.6)
D	.191 (4.9)
E	.125 (3.2)
F	.218 (5.5)

**TABLE III: ATTACHMENT OPTIONS**

Symbol	Attachment
C	No attachment, body strap only
D	Bead chain, cres, passivate, with terminal
E	Link chain, cres, passivate, with reverse link
F	Wire rope, nylon jacket, with terminal
G	Nylon rope, with terminal
H	Wire rope, fluoropolymer jacket, with terminal
N	Attachment omitted
R	Wire rope, PVC jacket, with terminal
S	#8 Sash chain, cres, passivate
U	Wire rope, polyurethane jacket, with terminal

**TABLE II: STANDARD FINISHES**

GLENNAIR SYMBOL	FINISH
B	Cadmium Plate, Olive Drab
C	Anodize, Black
G	Hard Coat, Anodic
M	Electroless Nickel
NF	Cadmium Plate, Olive Drab Over Electroless Nickel

See Back Cover for Complete Finish Information and Additional Finish Options

1. Metric dimensions (mm) are indicated in parentheses.
2. O-Ring not supplied with Connector Designators A and G.
3. Custom engraving available, consult factory.

See inside back cover  
fold-out or pages 13 and  
14 for unabridged  
Tables I and II.