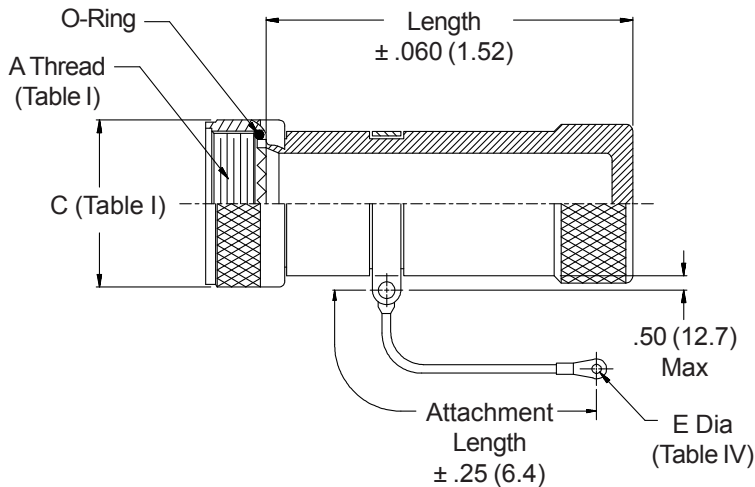


340-001 O-Ring Sealed Shorting Cap Backshell Rotatable Coupling

CONNECTOR DESIGNATORS **A-F-G** **H-J-L-S** ROTATABLE COUPLING



-445

Now Available
with the "NESTOR"

**Add "-445" to Specify
Glenair's Non-Detent,
Spring-Loaded, Self-
Locking Coupling. See
Page 41 for Details.**

TABLE IV: END FITTING

| Symbol | E Dia. |
|--------|------------|
| A | .140 (3.6) |
| B | .167 (4.2) |
| C | .182 (4.6) |
| D | .191 (4.9) |
| E | .125 (3.2) |
| F | .218 (5.5) |

TABLE III: ATTACHMENT OPTIONS

| Symbol | Attachment |
|--------|--|
| C | No attachment, body strap only |
| D | Bead chain, cres, passivate, with terminal |
| E | Link chain, cres, passivate, with reverse link |
| F | Wire rope, nylon jacket, with terminal |
| G | Nylon rope, with terminal |
| H | Wire rope, fluoropolymer jacket, with terminal |
| N | Attachment omitted |
| R | Wire rope, PVC jacket, with terminal |
| S | #8 Sash chain, cres, passivate |
| U | Wire rope, polyurethane jacket, with terminal |

TABLE II: STANDARD FINISHES

| GLENNAIR SYMBOL | FINISH |
|-----------------|---|
| B | Cadmium Plate, Olive Drab |
| C | Anodize, Black |
| G | Hard Coat, Anodic |
| M | Electroless Nickel |
| NF | Cadmium Plate, Olive Drab Over Electroless Nickel |

See Back Cover for Complete Finish Information and Additional Finish Options

1. Metric dimensions (mm) are indicated in parentheses.
2. O-Ring not supplied with Connector Designators A and G.
3. Custom engraving available, consult factory.

**See inside back cover
fold-out or pages 13 and
14 for unabridged
Tables I and II.**