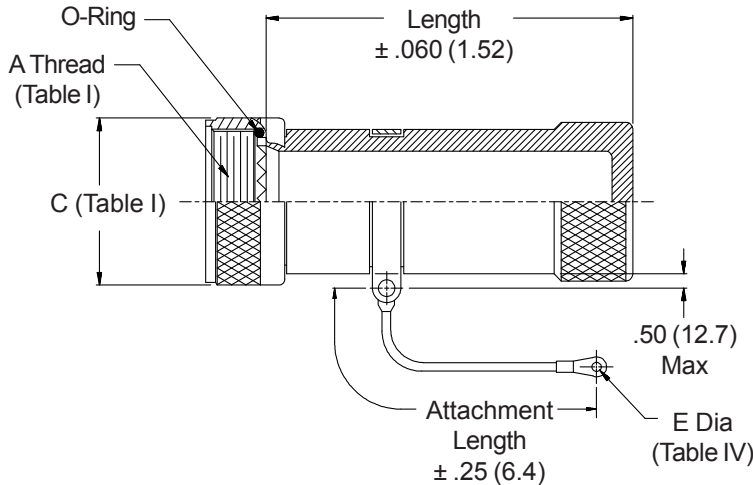
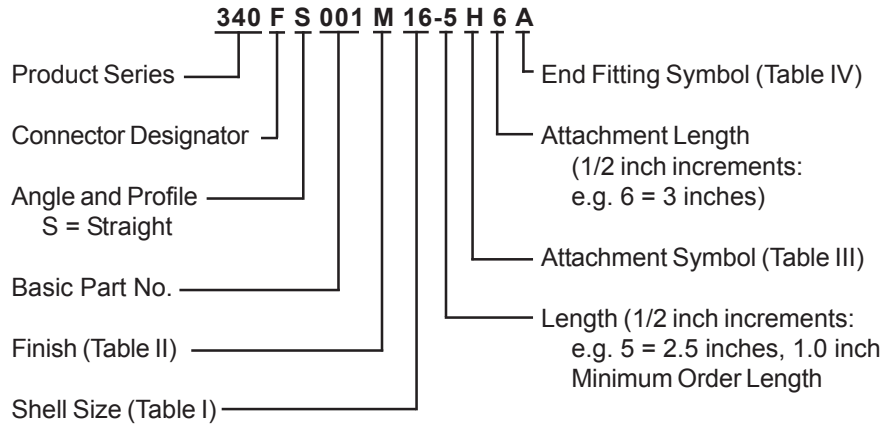




# 340-001 O-Ring Sealed Shorting Cap Backshell Rotatable Coupling

**CONNECTOR  
DESIGNATORS**  
**A-F-G**  
**H-J-L-S**  
**ROTATABLE  
COUPLING**



**-445** Now Available with the "NESTOR"

Add "-445" to Specify Glenair's Non-Detent, Spring-Loaded, Self-Locking Coupling. See Page 41 for Details.

| Symbol | Attachment                                     |
|--------|--|
| C      | No attachment, body strap only                 |
| D      | Bead chain, cres, passivate, with terminal     |
| E      | Link chain, cres, passivate, with reverse link |
| F      | Wire rope, nylon jacket, with terminal         |
| G      | Nylon rope, with terminal                      |
| H      | Wire rope, fluoropolymer jacket, with terminal |
| N      | Attachment omitted                             |
| R      | Wire rope, PVC jacket, with terminal           |
| S      | #8 Sash chain, cres, passivate                 |
| U      | Wire rope, polyurethane jacket, with terminal  |

| Symbol | E Dia.     |
|--------|------------|
| A      | .140 (3.6) |
| B      | .167 (4.2) |
| C      | .182 (4.6) |
| D      | .191 (4.9) |
| E      | .125 (3.2) |
| F      | .218 (5.5) |

| GLENNAIR SYMBOL | FINISH  |
|-----------------|---|
| B               | Cadmium Plate, Olive Drab                         |
| C               | Anodize, Black                                    |
| G               | Hard Coat, Anodic                                 |
| M               | Electroless Nickel                                |
| NF              | Cadmium Plate, Olive Drab Over Electroless Nickel |

See Back Cover for Complete Finish Information and Additional Finish Options

1. Metric dimensions (mm) are indicated in parentheses.
2. O-Ring not supplied with Connector Designators A and G.
3. Custom engraving available, consult factory.

See inside back cover fold-out or pages 13 and 14 for unabridged Tables I and II.