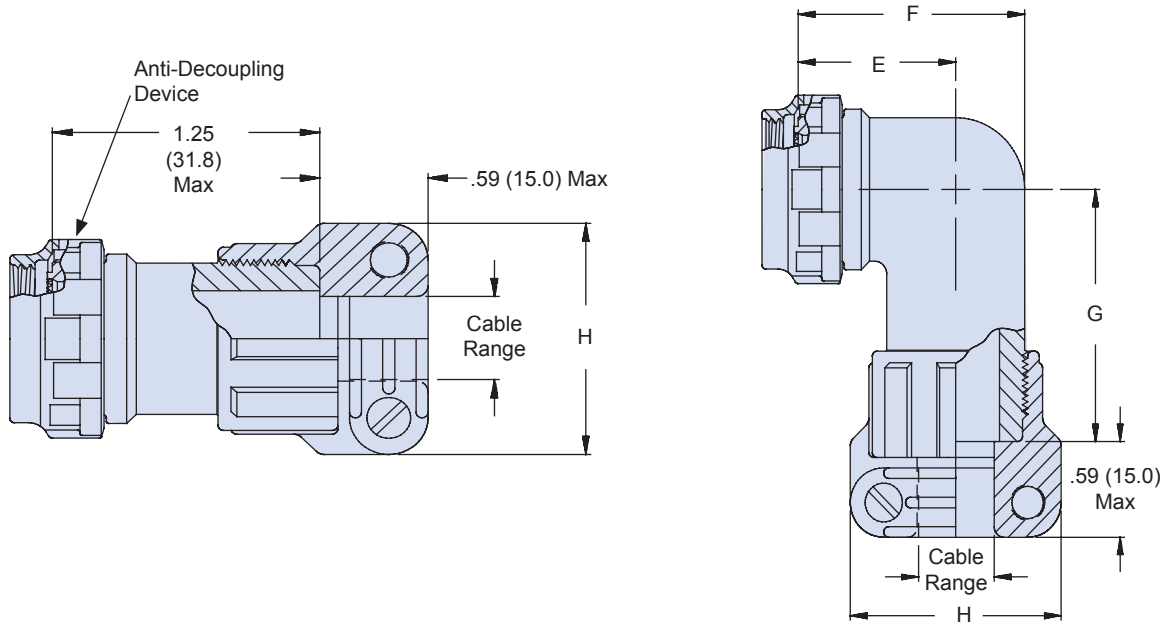
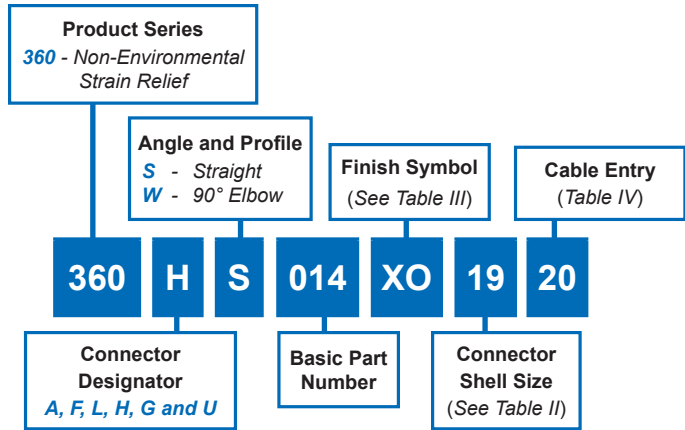


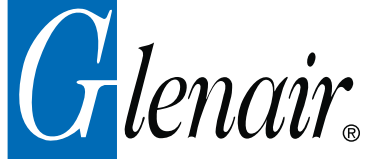
A

| CONNECTOR DESIGNATOR:     |   |
|---------------------------|---|
| <b>A</b>                  | MIL-DTL-5015, -26482 Series II, and -83723 Series I and III |
| <b>F</b>                  | MIL-DTL-38999 Series I, II                                  |
| <b>L</b>                  | MIL-DTL-38999 Series 1.5 (JN1003)                           |
| <b>H</b>                  | MIL-DTL-38999 Series III and IV                             |
| <b>G</b>                  | MIL-DTL-28840   |
| <b>U</b>                  | DG123 and DG123A  |
| <b>SELF-LOCKING</b>       |   |
| <b>ROTATABLE COUPLING</b> |   |
| <b>STANDARD PROFILE</b>   |   |



- NOTES**
1. Coupling nut supplied unplated.
  2. See Table I in Intro for front-end dimensional details.

**360-014**  
**Composite Non-Environmental Backshell**  
**with Self-Locking Rotatable Coupling**  
**and Strain Relief**



**TABLE II: CONNECTOR SHELL SIZE ORDER NUMBER**

| Shell Size For Connector Designator* |     |    |    |    | E           | F           | G           | Max Entry  |
|--------------------------------------|-----|----|----|----|-------------|-------------|-------------|------------|
| A                                    | F/L | H  | G  | U  | ±.06 (1.5)  | ±.09 (2.3)  | ±.09 (2.3)  | Dash No.** |
| 08                                   | 08  | 09 | -  | -  | .69 (17.5)  | .88 (22.4)  | 1.06 (27.0) | 10         |
| 10                                   | 10  | 11 | -  | 08 | .75 (19.1)  | 1.00 (25.4) | 1.13 (28.7) | 12         |
| 12                                   | 12  | 13 | 11 | 10 | .81 (20.6)  | 1.13 (28.7) | 1.19 (30.2) | 14         |
| 14                                   | 14  | 15 | 13 | 12 | .88 (22.4)  | 1.31 (33.3) | 1.38 (35.1) | 16         |
| 16                                   | 16  | 17 | 15 | 14 | .94 (23.9)  | 1.38 (35.1) | 1.44 (36.6) | 20         |
| 18                                   | 18  | 19 | 17 | 16 | .97 (24.6)  | 1.44 (36.6) | 1.47 (37.3) | 20         |
| 20                                   | 20  | 21 | 19 | 18 | 1.06 (26.9) | 1.63 (41.4) | 1.56 (39.6) | 22         |
| 22                                   | 22  | 23 | -  | 20 | 1.13 (28.7) | 1.75 (44.5) | 1.63 (41.4) | 24         |
| 24                                   | 24  | 25 | 23 | 22 | 1.19 (30.2) | 1.88 (47.8) | 1.69 (42.9) | 28         |
| 28                                   | -   | -  | 25 | 24 | 1.34 (34.0) | 2.13 (54.1) | 1.78 (45.2) | 32         |

\*\*Consult factory for additional entry sizes available.

**TABLE III: FINISH**

| Symbol | Finish Description   |
|--------|--|
| XB     | No Plating - Black Color   |
| XM     | 2000 Hour Corrosion Resistant Electroless Nickel   |
| XMT    | 2000 Hour Corrosion Resistant Ni-PTFE, Nickel-Fluorocarbon Polymer. <i>1000 Hour Grey™</i> |
| XO     | No Plating - Brown Color   |
| XW     | 2000 Hour Corrosion Resistant Cadmium/Olive Drab over Electroless Nickel                   |

**TABLE IV: CABLE ENTRY**

| Dash No. | H           |            | Cable Range |  |
|----------|-------------|------------|-------------|--|
|          | ±.06 (1.5)  | Minimum    | Maximum     |  |
| 10       | .94 (23.9)  | .16 (4.0)  | .25 (6.4)   |  |
| 12       | 1.17 (29.7) | .29 (5.1)  | .38 (9.7)   |  |
| 14       | 1.28 (32.5) | .40 (10.1) | .44 (11.2)  |  |
| 16       | 1.41 (35.8) | .52 (12.7) | .63 (15.9)  |  |
| 18       | 1.50 (38.1) | .58 (14.7) | .69 (17.5)  |  |
| 20       | 1.56 (39.6) | .64 (16.3) | .75 (19.1)  |  |
| 22       | 1.69 (42.9) | .72 (18.3) | .88 (22.2)  |  |
| 24       | 1.81 (46.0) | .79 (20.0) | 1.00 (25.4) |  |
| 28       | 1.91 (48.5) | .89 (20.3) | 1.13 (28.6) |  |
| 32       | 2.02 (51.3) | .96 (24.4) | 1.25 (31.8) |  |