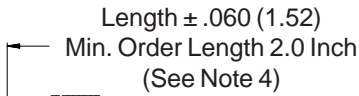
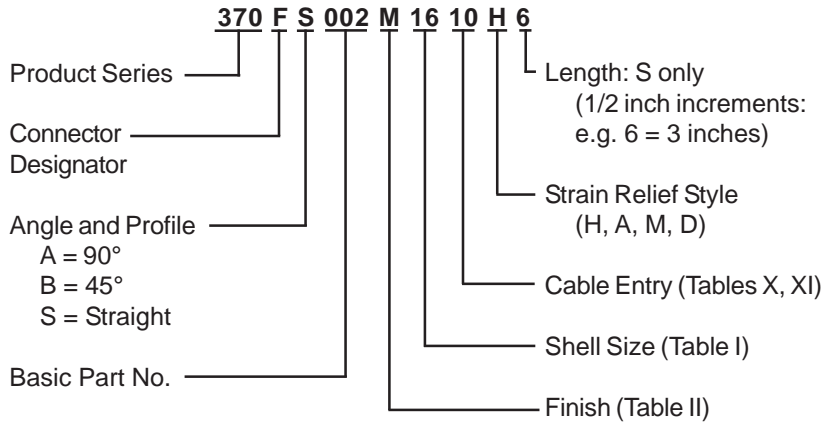


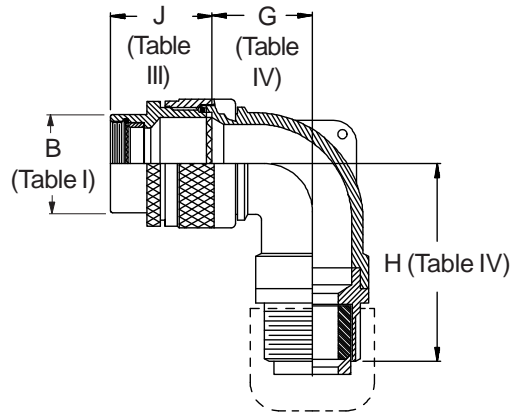
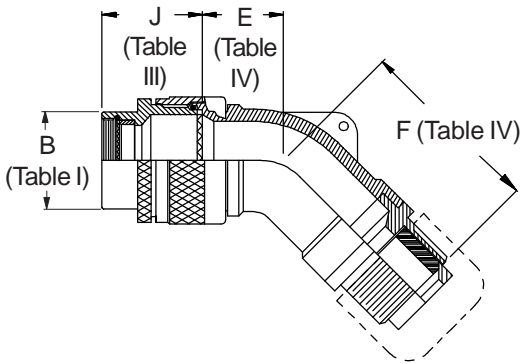
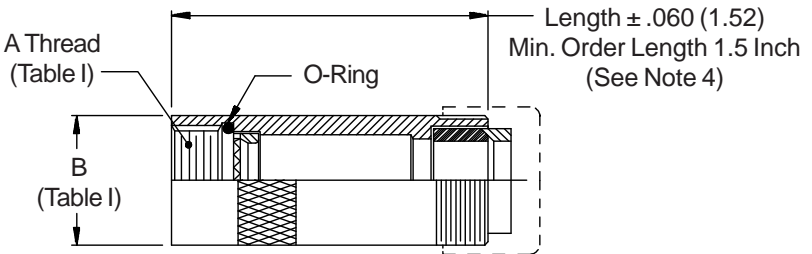
# 370-002 Submersible Cable Sealing Backshell with Strain Relief Low Profile - Direct Coupling

## CONNECTOR DESIGNATORS **A-B\*-C-D-E-F** **G-H-J-K-L-S**

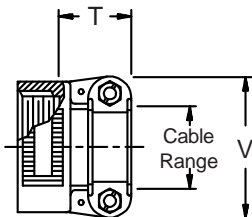
\* Conn. Desig. B See Note 5  
**DIRECT  
COUPLING**



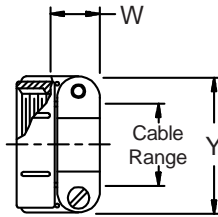
**STYLE 2  
(STRAIGHT  
See Note 1)**



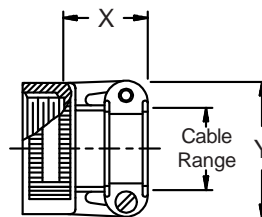
**STYLE H  
Heavy Duty  
(Table X)**



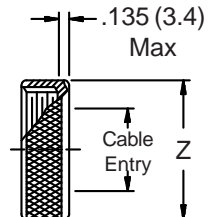
**STYLE A  
Medium Duty  
(Table XI)**



**STYLE M  
Medium Duty  
(Table XI)**



**STYLE D  
Medium Duty  
(Table XI)**



**370-002**  
**Submersible Cable Sealing Backshell**  
with Strain Relief  
**Low Profile - Direct Coupling**



**TABLE III: FRONT ADAPTER**

| Shell Size | J Max - Conn. Designator |              |              |
|------------|--------------------------|--------------|--------------|
|            | A-E-F                    |              |              |
|            | J-H-L-S                  | D-B-G-K      | C            |
| 08/09      | 1.180 (30.0)             | 1.440 (36.6) |              |
| 10/11      | 1.180 (30.0)             | 1.440 (36.6) |              |
| 12/13      | 1.180 (30.0)             | 1.440 (36.6) | 1.735 (44.1) |
| 14/15      | 1.180 (30.0)             | 1.440 (36.6) | 1.915 (48.6) |
| 16/17      | 1.380 (35.0)             | 1.560 (39.6) | 1.915 (48.6) |
| 18/19      | 1.380 (35.0)             | 1.560 (39.6) | 1.915 (48.6) |
| 20/21      | 1.380 (35.0)             | 1.560 (39.6) | 1.915 (48.6) |
| 22/23      | 1.380 (35.0)             | 1.560 (39.6) | 1.915 (48.6) |
| 24/25      | 1.380 (35.0)             | 1.560 (39.6) | 1.915 (48.6) |
| 28/29      | 1.610 (40.9)             | 1.560 (39.6) | 1.915 (48.6) |
| 32/33      | 1.610 (40.9)             | 1.750 (44.5) | 1.915 (48.6) |
| 36         | 1.610 (40.9)             | 1.750 (44.5) | 1.915 (48.6) |
| 40         | 1.610 (40.9)             | 2.190 (55.6) | 1.915 (48.6) |

See inside back cover fold-out or pages 13 and 14 for unabridged Tables I and II.

**TABLE IV: ELBOW DIMENSIONS**

| Elbow Size | E Max        | F Max        | G Max        | H Max        |
|------------|--------------|--------------|--------------|--------------|
| 04         | .567 (14.4)  | 1.399 (35.5) | .636 (16.2)  | 1.412 (35.9) |
| 06         | .630 (16.0)  | 1.462 (37.1) | .710 (18.0)  | 1.532 (38.9) |
| 08         | .692 (17.6)  | 1.524 (38.7) | .731 (18.6)  | 1.552 (39.4) |
| 10         | .755 (19.2)  | 1.957 (49.7) | .825 (21.0)  | 1.962 (49.8) |
| 12         | .848 (21.5)  | 2.067 (52.5) | .988 (25.1)  | 2.052 (52.1) |
| 16         | 1.036 (26.3) | 2.254 (57.3) | 1.087 (27.6) | 2.227 (56.6) |
| 20         | 1.130 (28.7) | 2.463 (62.6) | 1.325 (33.7) | 2.395 (60.8) |
| 24         | 1.255 (31.9) | 2.503 (63.6) | 1.337 (34.0) | 2.548 (64.7) |
| 28         | 1.317 (33.5) | 2.598 (66.0) | 1.827 (46.4) | 2.798 (71.1) |
| 32         | 1.348 (34.2) | 2.813 (71.5) | 2.027 (51.5) | 2.818 (71.6) |

**TABLE X: CABLE ENTRY**

| Dash No. | T Max        | V Max        | Cable Range  |              |     |  |
|----------|--------------|--------------|--------------|--------------|-----|--|
|          |              |              | Min          |              | Max |  |
|          |              |              |              |              |     |  |
| 04       | .780 (19.8)  | .957 (24.3)  | .125 (3.2)   | .312 (7.9)   |     |  |
| 06       | .780 (19.8)  | 1.145 (29.1) | .250 (6.4)   | .437 (11.1)  |     |  |
| 08       | .780 (19.8)  | 1.332 (33.8) | .387 (9.8)   | .562 (14.3)  |     |  |
| 10       | .780 (19.8)  | 1.332 (33.8) | .350 (8.9)   | .625 (15.9)  |     |  |
| 12       | .811 (20.6)  | 1.551 (39.4) | .500 (12.7)  | .750 (19.1)  |     |  |
| 16       | .905 (23.0)  | 1.770 (45.0) | .625 (15.9)  | .937 (23.8)  |     |  |
| 20       | 1.092 (27.7) | 2.113 (53.7) | .875 (22.2)  | 1.250 (31.8) |     |  |
| 24       | 1.124 (28.5) | 2.363 (60.0) | 1.000 (25.4) | 1.375 (34.9) |     |  |
| 28       | 1.399 (35.5) | 2.770 (70.4) | 1.250 (31.8) | 1.625 (41.3) |     |  |
| 32       | 1.399 (35.5) | 3.020 (76.7) | 1.437 (36.5) | 1.875 (47.6) |     |  |

**TABLE II: STANDARD FINISHES**

| GLENAIR SYMBOL | FINISH  |
|----------------|---|
| B              | Cadmium Plate, Olive Drab                         |
| C              | Anodize, Black                                    |
| G              | Hard Coat, Anodic                                 |
| M              | Electroless Nickel                                |
| NF             | Cadmium Plate, Olive Drab Over Electroless Nickel |

1. When maximum cable entry (page 22) is exceeded, Style 2 will be supplied. (Function S only.)
2. Metric dimensions (mm) are indicated in parentheses.
3. Cable range is defined as the accommodations range for the wire bundle or

cable. Dimensions shown are not intended for inspection criteria.

4. Consult factory for shorter lengths on straight backshells.
5. When using Connector Designator B refer to pages 18 and 19 for part number development.

**TABLE XI: CABLE ENTRY**

| Dash No. | W Max        | X Max        | Y Max        | Z Max        | Cable Range  |              |     |  |
|----------|--------------|--------------|--------------|--------------|--------------|--------------|-----|--|
|          |              |              |              |              | Min**        |              | Max |  |
|          |              |              |              |              |              |              |     |  |
| 03*      | .437 (11.1)  | .760 (19.3)  | .843 (21.4)  | .630 (16.0)  | .156 (4.0)   | .250 (6.4)   |     |  |
| 04*      | .437 (11.1)  | .760 (19.3)  | .906 (23.0)  | .755 (19.2)  | .188 (4.8)   | .312 (7.9)   |     |  |
| 06*      | .500 (12.7)  | .760 (19.3)  | 1.093 (27.8) | .942 (23.9)  | .281 (7.1)   | .438 (11.1)  |     |  |
| 08       | .563 (14.3)  | .760 (19.3)  | 1.187 (30.1) | 1.067 (27.1) | .387 (9.8)   | .562 (14.3)  |     |  |
| 10       | .563 (14.3)  | .760 (19.3)  | 1.281 (32.5) | 1.192 (30.3) | .375 (9.5)   | .625 (15.9)  |     |  |
| 12       | .563 (14.3)  | .760 (19.3)  | 1.500 (38.1) | 1.380 (35.1) | .438 (11.1)  | .750 (19.1)  |     |  |
| 16       | .656 (16.7)  | 1.073 (27.3) | 1.719 (43.7) | 1.535 (39.0) | .625 (15.9)  | .938 (23.8)  |     |  |
| 20       | .656 (16.7)  | 1.323 (33.6) | 2.062 (52.4) | 1.848 (46.9) | .875 (22.2)  | 1.250 (31.8) |     |  |
| 24       | .656 (16.7)  | 1.323 (33.6) | 2.312 (58.7) | 2.255 (57.3) | 1.000 (25.4) | 1.375 (34.9) |     |  |
| 28       | 1.188 (30.2) | 1.572 (39.9) | 2.719 (69.1) | 2.505 (63.6) | 1.250 (31.8) | 1.625 (41.3) |     |  |
| 32*      | 1.187 (30.1) | 1.572 (39.9) | 2.969 (75.4) | 2.755 (70.0) | 1.437 (36.5) | 1.875 (47.6) |     |  |
| 40*      | 1.125 (28.6) | 1.572 (39.9) | 3.531 (89.7) | 3.255 (82.7) | 1.875 (47.6) | 2.375 (60.3) |     |  |

\* Not available in Style M clamp.

\*\* Not Applicable Style D